

Headlamp Adjustment and Maintenance for Model Year 2019 and Older Slingshot

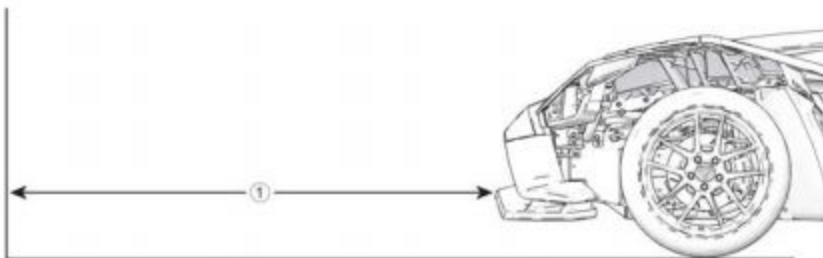
This article contains instructions for inspecting and adjusting your lights for model year 2019 and older Slingshot vehicles.

Headlamp Aim Inspection

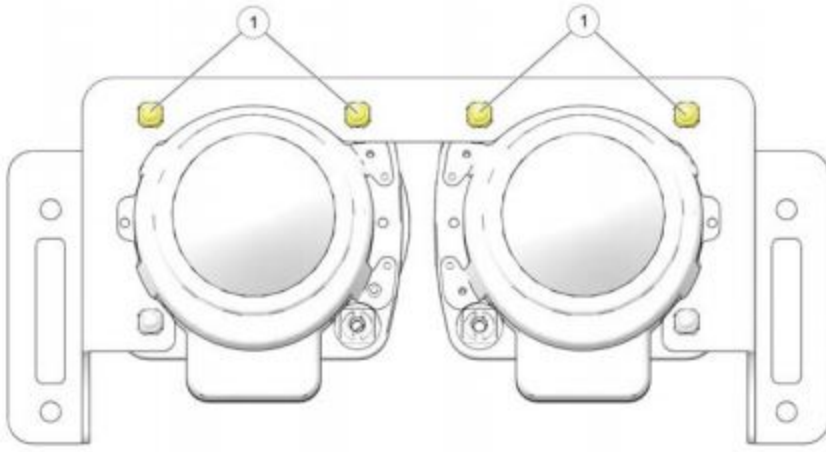
The following instructions for the inspection and adjustment of the aim of the headlamp on your Slingshot will be accurate only when tire pressures and suspensions are at factory recommended settings. To find factory recommended settings, refer to the safety labels on your Slingshot or to the specifications section of your [Owner's Manual](#). Also note that the vehicle must be unladen — without fuel, rider weight or cargo weight.

Center Headlamp Aim Adjustment (U.S.)

- Position the vehicle on a level surface with the nose approximately 25 feet (7.6 m) from a wall (1).

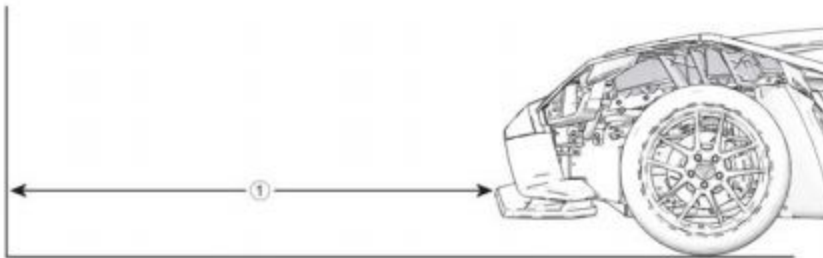


- Move the ignition switch to the ON position to turn on the lights. Place the headlamps on low beam.
- Observe the headlight beam display on the wall. The beam displays at two levels, higher at the right side and lower at the left side.
- Measure from the floor to the lower beam display at the left side. When the beam is properly adjusted, the measurement should be in the following range:
 - 19-20.75 inches (48-53 cm) for base models
 - 20-21.75 in (51-55 cm) for SL models
- To adjust a headlight beam, open the hood and turn the two upper headlamp adjustment screws (1) simultaneously and equally.
 - Clockwise adjustment lowers the beam.
 - Counter-clockwise adjustment raises the beam.

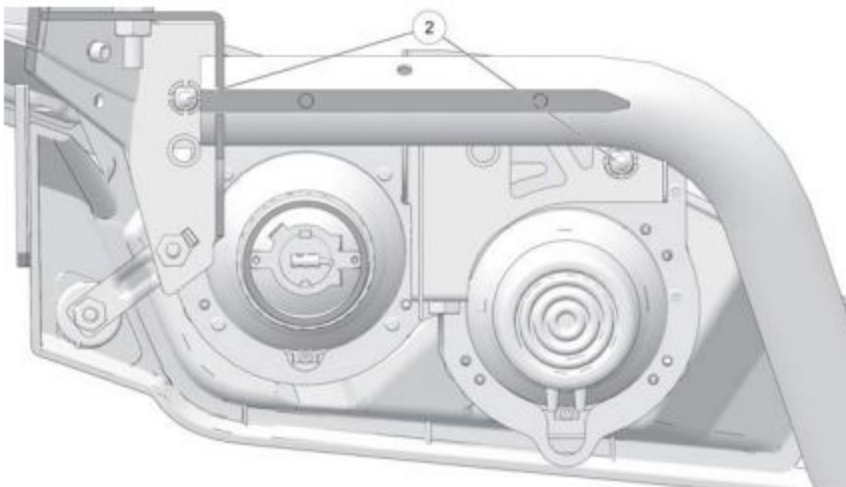


Auxiliary Headlamp Aim Adjustment (U.S.)

- Position the vehicle on a level surface with the nose 5 feet (1.5 m) from a wall (1).

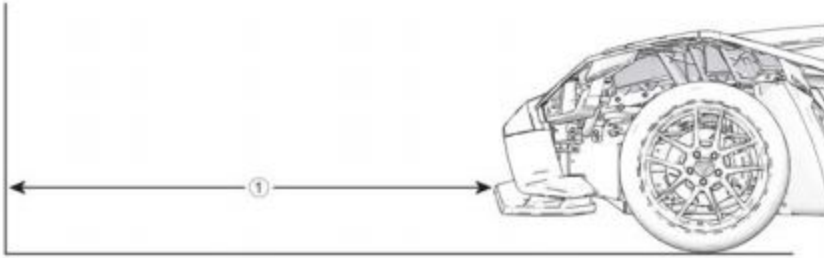


- Move the ignition switch to the ON position to turn on the lights.
- Observe the auxiliary headlight beam display on the wall. The lower edge of the beam displays with a multi-colored halo.
- Measure from the floor to the bottom edge of the halo's green band. When the beam is properly adjusted, this measurement should be in the following range:
 - 3.75-5.75 inches (9.5-14.6 cm) for base models
 - 4.7-6.75 in (12-17.1 cm) for SL models
- To adjust a headlight beam, open the hood and turn the two headlamp adjustment screws (2) simultaneously and equally.
 - Clockwise adjustment raises the beam.
 - Counter-clockwise adjustment lowers the beam.

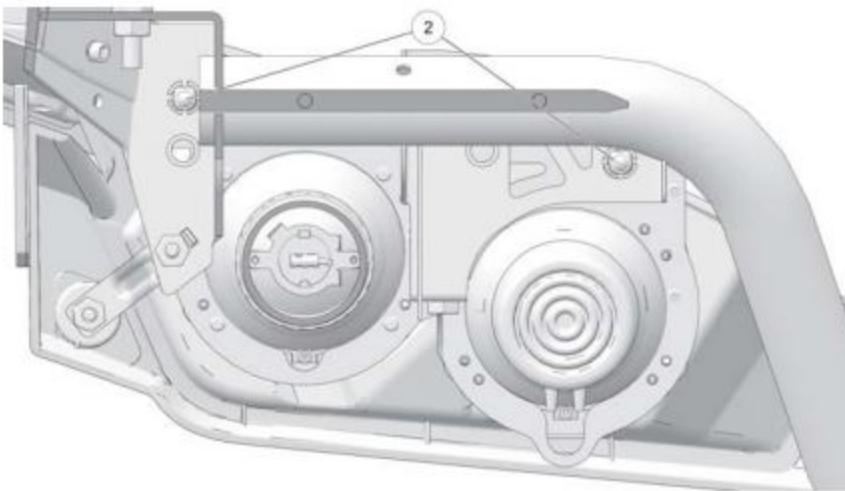


Headlamp Aim Adjustment (Canada)

- Position the vehicle on a level surface with the nose approximately 25 feet (7.6 m) from a wall (1).



- Move the ignition switch to the ON position to turn on the lights. Place the headlamps on low beam.
- Observe the headlight beam display on the wall. The beam displays at two levels, higher at the right side and lower at the left side.
- Measure from the floor to the lower beam display at the left side. When the beam is properly adjusted, this measurement should be in the following range:
 - 20-21.75 inches (51-55 cm) for base models
 - 21-22.75 in (53.3-57.8 cm) for SL models
- To adjust a headlight beam, open the hood and turn the two upper headlamp screws (2) simultaneously and equally.
 - Clockwise adjustment raises the beam.
 - Counter-clockwise adjustment lowers the beam.



Headlamp Bulb Replacement

The replacement headlight bulb is [part number 4015135](#). When servicing a halogen lamp (bulb), avoid touching the lamp with bare fingers. Oil from your skin leaves a residue, causing a hot spot that will shorten the life of the lamp. If fingers do touch a lamp, clean them with denatured alcohol.

Outer Headlamps

- Pull the sealing boot away from the back of the bulbs and housing.
 - Press the looped end of the wire bulb retainer clip and swing the end toward the center of the bulb to release it from the latch tab.
 - With the wire connector attached, pull the bulb out.
-

- Disconnect the wire harness. Install the new bulb and secure the retainer.
- Reinstall the sealing boot. Make sure it seals tightly around the bulb base and lens to prevent condensation.

Center Headlamps (If Equipped)

- Disconnect the headlight wiring harness at the rear of the headlights.
- From the rear of the headlight, grasp the bulb housing and rotate it counter-clockwise to remove it.
- Install the new bulb and rotate it clockwise to secure it.
- Reconnect the wiring harness.

For more information, see your authorized Slingshot Dealer. Find a dealer near you with the [Dealer Locator](#).

Maintenance tips, procedures and specifications can be found in your [Owner's Manual](#).

To find diagrams and replacement part numbers, use the [online parts catalog](#).

Unless noted, trademarks are the property of Polaris Industries Inc.

© 2021 Polaris Industries Inc.

Was this article helpful?

- Yes, it answers my question
- No, it's missing information or visuals
- No, the instructions are unclear
- No, What are the next steps?
- No, I'm experiencing a technical error
- Other

* [-] **How can we improve this article? We'd love to hear your suggestions**

Tell us what you would like to see in this article

SEND

Keyword(s) [headlight](#) , [headlamp](#) , [aim](#) , [adjust](#) , [inspect](#) ,

HELPFUL LINKS

Parts, Accessories and Apparel

Owner's Manuals

Safety Information

Polaris Protection Plan

Special Offers

Recalls

Slingshot Lubricants

CONTACT US



BY E-MAIL

Send us an e-mail inquiry.



CLICK TO CALL



BY DEALER

Locate the nearest dealer in your area.

FIND A DEALER NEAR YOU

Enter City, State or Zip Code

80201

SEARCH

 [Use Current Location](#)

Filter By *(Optional)*

[Reset Filters](#)

Show dealers that offer online service scheduling

FAY MYERS MOTORCYCLE WORLD	G-FORCE POWERSPORTS 12.1 Mi	ROCKY MOUNTAIN CYCLES INC	RICE'S RAPID MOTORCYCLE 313 Mi
---------------------------------------	---------------------------------------	--------------------------------------	--

9.1 Mi
9700 E ARAPAHOE RD
GREENWOOD VILLAGE, CO

 303-744-6632

 Find Special Offers

 Map & Directions

 Dealer Website

 Schedule Service

REQUEST TEST DRIVE


7700 W COLFAX AVE
LAKEWOOD, CO 80214

 303-238-4303

 Find Special Offers

 Map & Directions

 Dealer Website

 Schedule Service

REQUEST TEST DRIVE

61.6 Mi
412 N CHELTON
COLORADO SPRINGS, CO

 719-591-9700

 Find Special Offers

 Map & Directions

 Dealer Website

 Schedule Service

REQUEST TEST DRIVE

3337 E MALL DRIVE
RAPID CITY, SD 5770

 605-342-2242

 Find Special Offer

 Map & Directions 

 Dealer Website

 Schedule Service

REQUEST TEST DRIVE



SUBSCRIBE NOW

FIND A DEALER

US-ENGLISH

LINEUP

SHOPPING TOOLS

OWNER RESOURCES

ABOUT US

© 2024 POLARIS INC.

SITE MAP

PRIVACY

[YOUR PRIVACY CHOICES](#)  

[TERMS](#)

[ACCESSIBILITY](#)

[CAREERS](#)

[GLOBAL SITES](#)

Slingshot® is a three-wheeled motorcycle. It is not an automobile. It does not have airbags and it does not meet automotive safety standards. Three wheel vehicles may handle differently than other vehicles, especially in wet conditions. Always wear a DOT-approved full-face helmet and fasten seatbelts. The Driver may need a valid motorcycle endorsement. Don't drink and drive