

**Safety Pin on the Locking Unit in the Central Wheel Lock cannot be Pressed In / Jammed:  
Observe Specified Procedure (164/24)**

Model Line: **718 (982)**

Model Year: **As of 2022**

Equipment: Central wheel lock (M No. 1PJ)

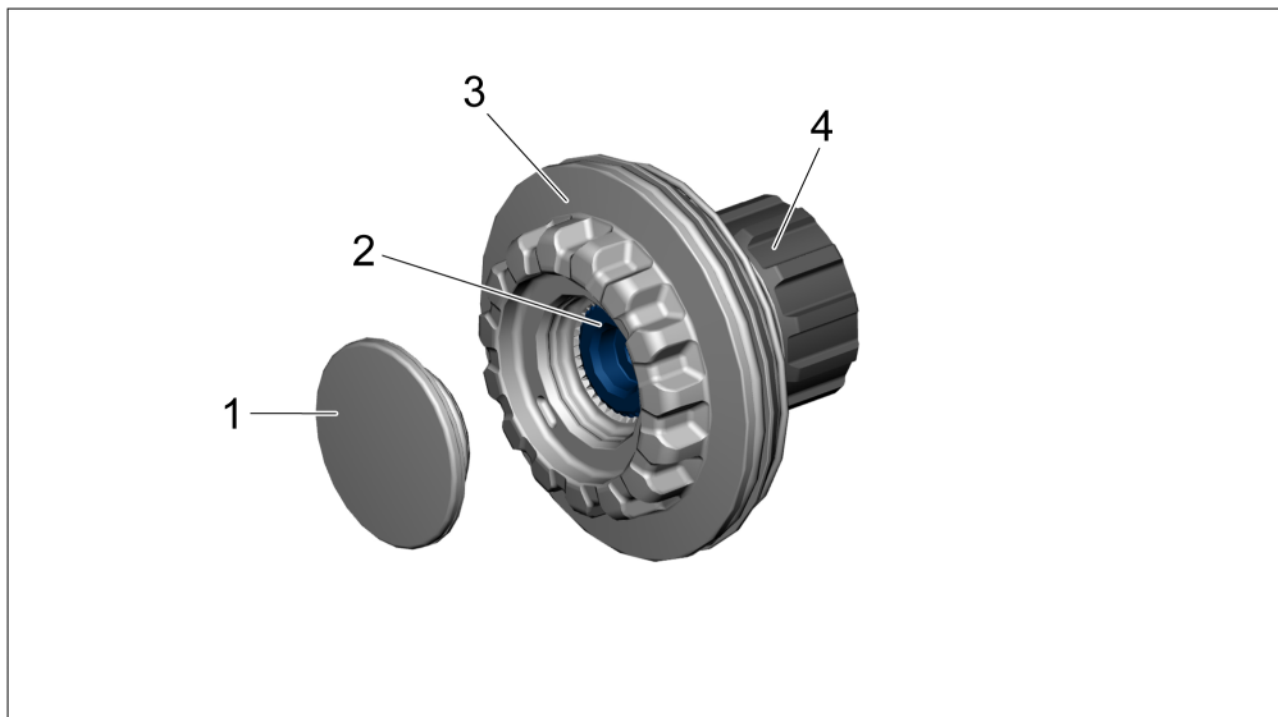
Concerns: **Central wheel lock**

Cause: **The central bolt on the wheel cannot be opened because the safety pin on the locking unit is jammed.**

The reason for this is due to the level of static friction between the safety pin on the locking unit and central wheel locking bolt being too high.

Action: Loosen the safety pin on the locking unit using a suitable impact tool and appropriate force and then check the locking unit for damage.

Overview:



*Component overview of central wheel lock*

- 1 – Wheel trim cover
- 2 – Safety pin on locking unit
- 3 – Central wheel locking bolt
- 4 – Locking unit in central wheel lock

### Required tools

- Tools:
- Plastic mandrel with a diameter of approx. 15 mm (which covers complete safety pin for locking unit in central wheel lock)
  - Small commercial hammer (approx. 150 g)
  - Torque wrench, 40-200 Nm (30-148 ftlb.), e.g., **V.A.G 1332A - Torque wrench, 40-200 Nm (30-148 ftlb.)**
  - Torque wrench, 150-800 Nm (111-592 ftlb.), e.g., **V.A.G 1601 - Torque wrench, 150-800 Nm (111-592 ftlb.)**
  - **9794 - Assembly aid**
  - **9796 - Socket wrench**
  - **VAS 6266A - Wheel fitting trolley**

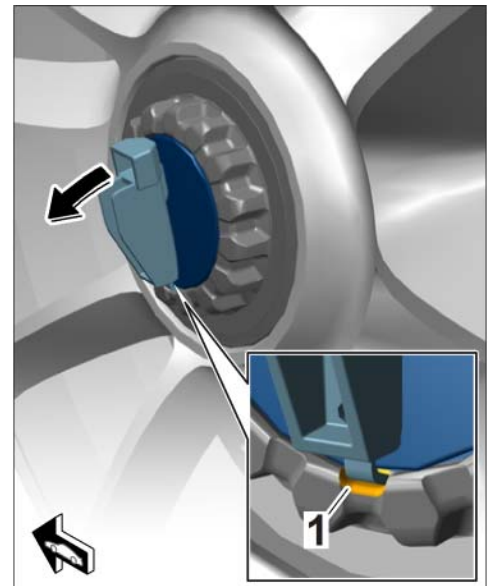
### Loosening locking unit of central wheel lock

Work Procedure: 1 Raise the vehicle.

⇒ *Workshop Manual '4X00IN Raise the vehicle'*.

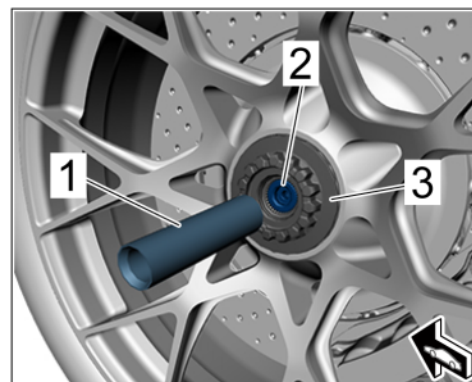
2 Carefully lever off the hub cap using the release tool.

2.1 Insert metal tab ⇒ *Removing hub cap with release tool-1* into the opening groove on the central wheel locking bolt and swivel back the handle ⇒ *Removing hub cap with release tool-Arrow-*.



*Removing hub cap with release tool*

- 3 Place plastic mandrel ⇒ *Plastic mandrel on circlip -1-* on circlip ⇒ *Plastic mandrel on circlip -2-* of the locking unit in central wheel lock ⇒ *Plastic mandrel on circlip -3-*.
- 4 Using a hammer, with low impact force, lightly hit plastic mandrel ⇒ *Plastic mandrel on circlip -1-* until circlip ⇒ *Plastic mandrel on circlip -2-* loosens and can be adjusted axially.  
If safety pin ⇒ *Plastic mandrel on circlip -2-* does not loosen, gradually increase the impact force.



*Plastic mandrel on circlip*



**Information**

**Excessive impact force damages the locking unit in the central wheel lock.**

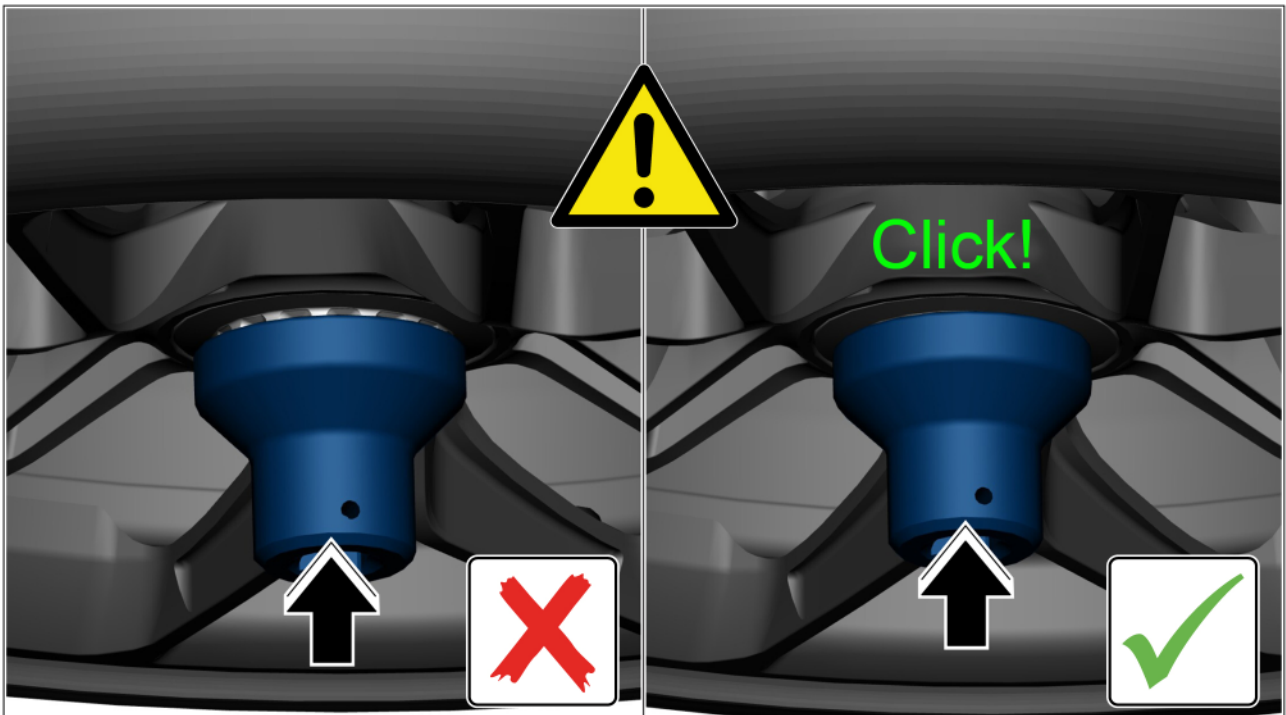
- 5 Loosen and remove central wheel lock using a **9796 - socket wrench** and **9794 - assembly aid**.  
⇒ *Workshop Manual '440519 Removing and installing wheel with central bolt'*
- 6 Check the central wheel lock for damage.



**Information**

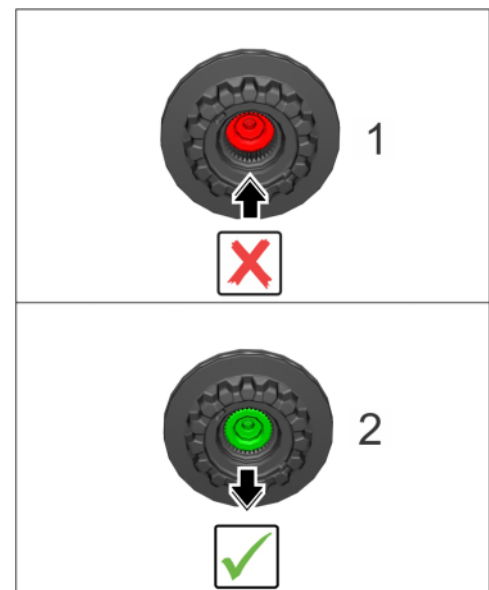
**Detection of locking unit damage when the central wheel lock is removed:**

- **9796 - Socket wrench** cannot be fully inserted into central wheel locking bolt



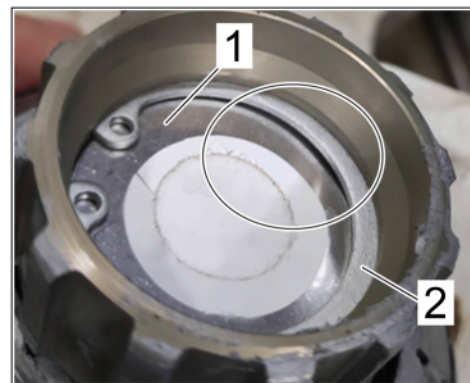
*Positioning the tool correctly*

- **9796 - Socket wrench** does not stay in clip after locking unit has been properly loosened
- After the **9796 - socket wrench** is removed, the locking unit for the safety pin is not in the target position (flush to the chamfer of the tothing on the central wheel locking bolt)



*Locking mechanism function*

- At the back of the central wheel lock, bumps are visible on locking plate ⇒ *Deformed locking plate and circlip -1-* up to existing deformation ⇒ *Deformed locking plate and circlip -Circle-* of circlip ⇒ *Deformed locking plate and circlip -2-*



*Deformed locking plate and circlip*

Assessment		Action
(✓)	There is <b>no damage</b> to the central wheel lock.	Central wheel lock can still be used. ⇒ <i>Workshop Manual '440519 Removing and installing wheel with central bolt'</i>  <b>End of action.</b>
(x)	There is <b>damage</b> to the central wheel lock.	<b>Central wheel lock must be replaced.</b>  For work procedure, see: ⇒ <i>Workshop Manual '440519 Removing and installing wheel with central bolt'</i>

**Important Notice:** Technical Bulletins issued by Porsche Cars North America, Inc. are intended only for use by professional automotive technicians who have attended Porsche service training courses. They are written to inform those technicians of conditions that may occur on some Porsche vehicles, or to provide information that could assist in the proper servicing of a vehicle. Porsche special tools may be necessary in order to perform certain operations identified in these bulletins. Use of tools and procedures other than those Porsche recommends in these bulletins may be detrimental to the safe operation of your vehicle, and may endanger the people working on it. Properly trained Porsche technicians have the equipment, tools, safety instructions, and know-how to do the job properly and safely. Part numbers listed in these bulletins are for reference only. The work procedures updated electronically in the Porsche PIWIS diagnostic and testing device take precedence and, in the event of a discrepancy, the work procedures in the PIWIS Tester are the ones that must be followed.

© 2024 Porsche Cars North America, Inc.