

SS 295 TBB Power steering Pump TBB 61280827 replacement with TBB 246122

Applicable Vehicles

EFX

Issue

TBB 61280827 no longer available

Solution

Replace with TBB 246122, also need to replace the components on diagram TBBN246123

Labels :

Saf-T-Liner

Add tags

Attachments

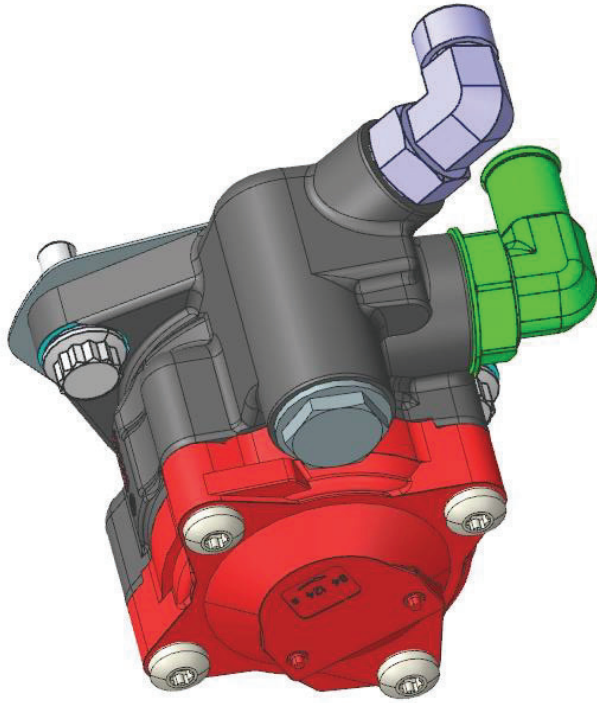


 0 Kudos

Comment

Powered by
Khoros 

RELEASE NUMBER	REV LTR	REVISION DESCRIPTION	BY	DATE	APPD
P66236-01	A	INITIAL RELEASE	JJW	10/11/23	MAB



ISO VIEW
REF ONLY

1. TORQUE HARDWARE TO 50 FT-LBS, RANGE 42.5-57.5 FT-LBS.
2. TORQUE HYDRAULIC FITTING TO 22.1 FT-LBS, RANGE 18.4-25.8 FT-LBS.
3. TORQUE HYDRAULIC FITTING TO 25.8 FT-LBS, RANGE 22.1-29.5 FT-LBS.
4. DISCARD TEMPORARY FLANGE COVER AND GASKET
INSTALL NEW GASKET, ITEM 002.
5. SIMILAR TO P/N TBBN233379

DAIMLER		Daimler Trucks North America	
<small>THE INFORMATION CONTAINED HEREIN IS PROPRIETARY DATA, AND IS NOT FOR DISSEMINATION OR DISCLOSURE, IN WHOLE OR IN PART, FOR ANY PURPOSE OTHER THAN THAT FOR WHICH IT IS SUBMITTED, EXCEPT AS AUTHORIZED IN WRITING BY DAIMLER TRUCKS NORTH AMERICA LLC (DTNA)</small>			
MATERIAL APPROVAL	DATE	UNLESS OTHERWISE NOTED, DIMENSIONS AND TOLERANCES ARE DEFINED ACCORDING TO ASME Y14.5M-1994, WITH EXCEPTION PER DTNA 09ENG-WI037	
N/A	N/A	THIRD ANGLE PROJECTION	
DRAWN BY	DATE		
J. WALKER	10/11/23	UNITS OF MEASURE MM	
CHECKED BY	DATE		
D. RIDDLESPURGER	10/11/23	DESCRIPTION	
RESPONSIBLE ENGINEER	DATE		
J. WALKER	10/11/23	INSTL-PUMP, W/ AIR COMP, EFX	
APPROVED BY	DATE		
M. BOBAK	10/11/23	539A1	
SUPPLEMENTAL DESCRIPTION		REVISION LETTER	
TBBN246122		A	
ITEM NUMBER		PAGE	
TBBN246122		1 of 3	

FTL MODULE 539 - STEERING PUMP

ITEM	TBB PART #	DTNA PART #	DESCRIPTION	QTY
1	233354	TBBN233354	PUMP-STRG,MD,251618LES	1
2	61280017	TBB61280017	GASKET-HYD PUMP SAE "A"FLG	1
3	61370350	TBB61370350	WASHER-FLAT,3/8" SAE CAD/ZINC	2
4	61371460	TBB61371460	TWELVE POINT METRIC SCREW	2
5	180302	23-13313-012	ADAPTER-90 DEG,O-RING	1
6	61360263	TBB61360263	CONN-ELB,90 DEG,	1

THE INFORMATION CONTAINED HEREIN IS PROPRIETARY DATA, AND IS NOT FOR DISSEMINATION OR DISCLOSURE, IN WHOLE OR IN PART, FOR ANY PURPOSE OTHER THAN THAT FOR WHICH IT IS SUBMITTED, EXCEPT AS AUTHORIZED IN WRITING BY DAIMLER TRUCKS NORTH AMERICA LLC (DTNA)

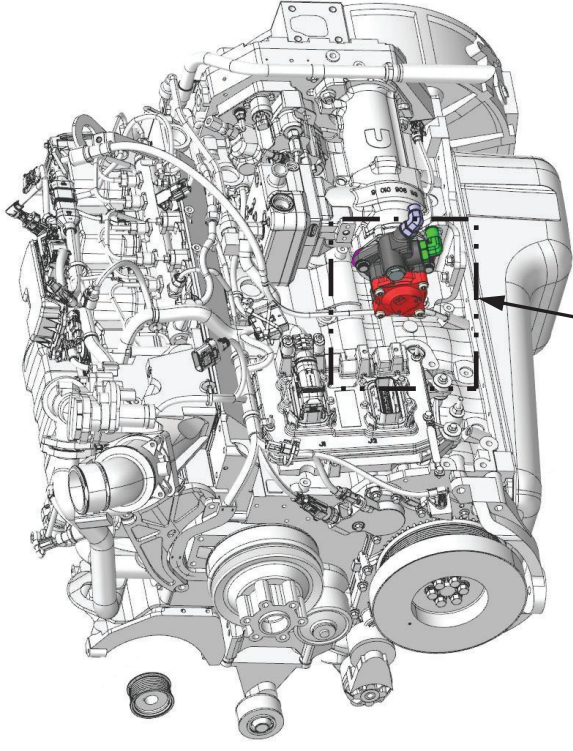
DAIMLER

Daimler Trucks
North America

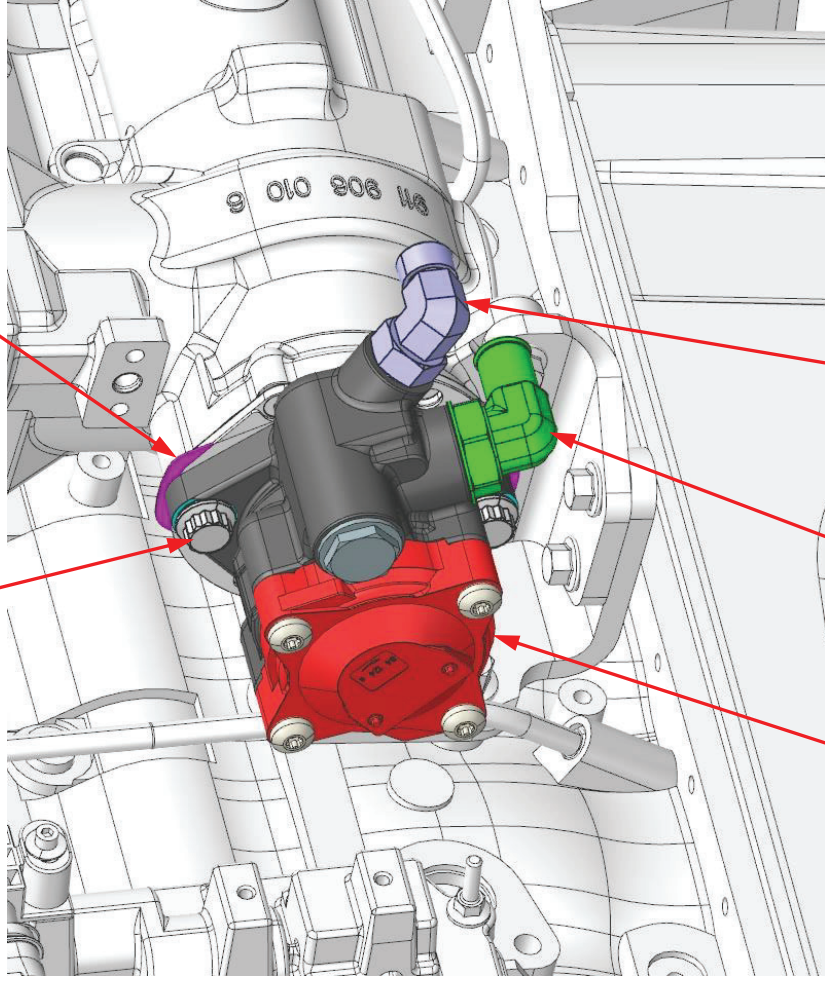
ITEM/DRAWING NUMBER
TBBN246122

REVISION LETTER
A

PAGE
2 of 3



DETAIL A



- 1
- 2 PLCS
- 3
- 4
- 2
- 4

- 1
- 3
- 5
- 2
- 6

DETAIL A

THE INFORMATION CONTAINED HEREIN IS PROPRIETARY DATA, AND IS NOT FOR DISSEMINATION OR DISCLOSURE, IN WHOLE OR IN PART, FOR ANY PURPOSE OTHER THAN THAT FOR WHICH IT IS SUBMITTED, EXCEPT AS AUTHORIZED IN WRITING BY DAIMLER TRUCKS NORTH AMERICA LLC (DTNA)

DAIMLER

Daimler Trucks
North America

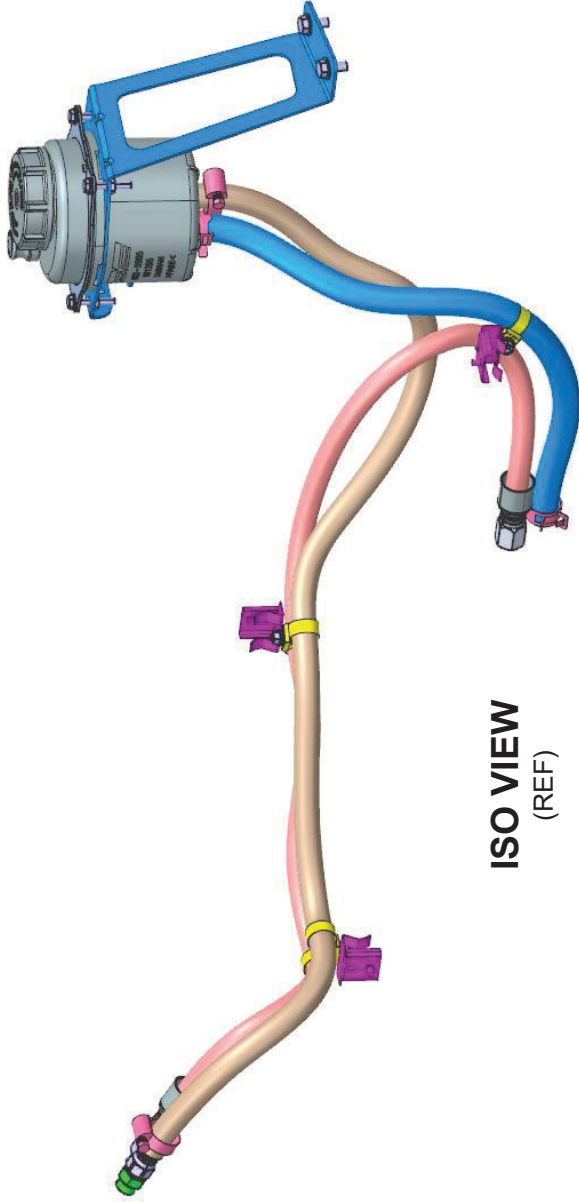
ITEM/DRAWING NUMBER
TBBN246122

REVISION LETTER
A

PAGE
3 of 3



Feature(s) on this drawing are subject to the Safety-Relevant Characteristic Policy 09ENG-PROC008



ISO VIEW
(REF)

1. TORQUE FASTENERS PER SPEC 49-00104 (TBB STD 62370002) UNLESS OTHERWISE SPECIFIED.
2. USE EXISTING HARDWARE.
3. TORQUE TO 45 FT-LBS, RANGE 40.5-49.5 FT-LBS.
4. TORQUE TO 29 FT-LBS, RANGE 26.1-31.9 FT-LBS.
5. TORQUE TO 42 FT-LBS, RANGE 37.8-46.2 FT-LBS.
6. SIMILAR TO: TBBN222199



MODULE #	DESCRIPTION
534	RESERVOIR PWR STRG
535	PLUMBING PWR STRG

RELEASE NUMBER	REV LTR	REVISION DESCRIPTION	BY	DATE	APPD
P66236-01	A	INITIAL RELEASE	JJW	10/11/23	MAB

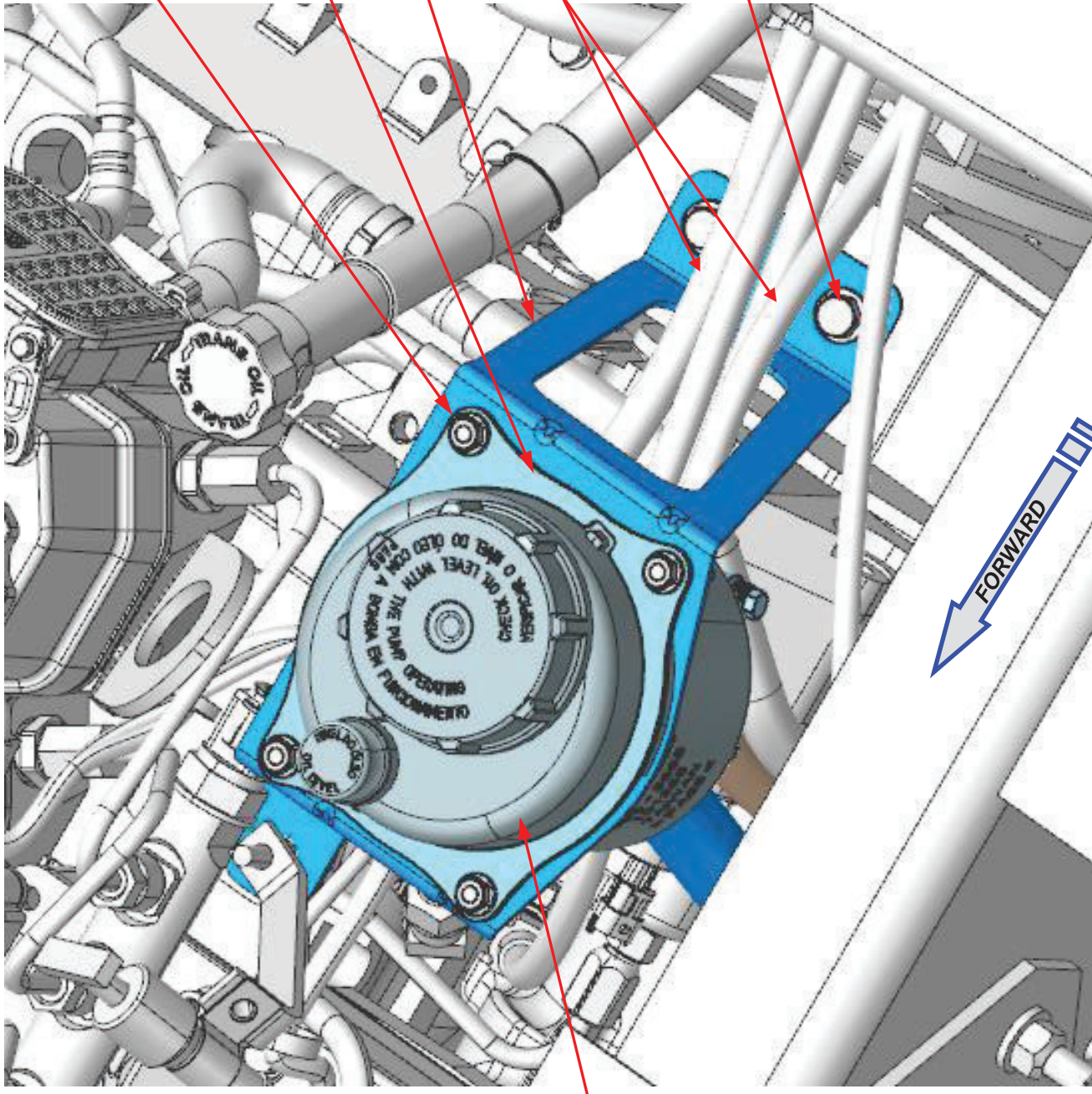
DAIMLER		Daimler Trucks North America	
THE INFORMATION CONTAINED HEREIN IS PROPRIETARY DATA, AND IS NOT FOR DISSEMINATION OR DISCLOSURE, IN WHOLE OR IN PART, FOR ANY PURPOSE OTHER THAN THAT FOR WHICH IT IS SUBMITTED, EXCEPT AS AUTHORIZED IN WRITING BY DAIMLER TRUCKS NORTH AMERICA LLC (DTNA)			
MATERIAL APPROVAL	DATE	UNLESS OTHERWISE NOTED, DIMENSIONS AND TOLERANCES ARE DEFINED ACCORDING TO ASME Y14.5M-1994, WITH EXCEPTION PER DTNA 09ENG-WI037	UNITS OF MEASURE MM
N/A	N/A		
DRAWN BY J. WALKER	DATE 10/11/23		
CHECKED BY D. RIDDLESPURGER	DATE 10/11/23		
RESPONSIBLE ENGINEER J. WALKER	DATE 10/11/23		
APPROVED BY M. BOBAK	DATE 10/11/23		
DESCRIPTION INSTL-PWR STRG RES AND PLMBG		SUPPLEMENTAL DESCRIPTION 534A1	
ITEM NUMBER TBBN246123		REVISION LETTER A	
DRAWING NUMBER TBBN246123		PAGE 1 of 7	

FTL MODULE 535- PLUMBING,STEERING,EFX

ITEM	QTY	TBB PART #	FTL PART #	DESCRIPTION
1	1	246829	TBBN246829	HOSE-ASSY,STRG,487-8,48"
2	1	246126	TBBN246126	HOSE-STRG GEAR,SUP
3	1	246125	TBBN246125	HOSE-STRG GEAR,RTN
4	3	117301	681 997 06 90	CLAMP-HOSE RETAINER, FRAME MOUNT
5	3	61371394	TYC DCT110HIR	TIE-CABLE,DUAL CLAMP.1/4"MTG HOLE
6	3	61370802	23-11743-100	SCREW-CAP,HEX,1/4-20 UNC
7	3	216419	23-13861-104	NUT-HEX,PCHLK,1/4-20 UNC
8	3	61370348	23-10900-025	WASHER-FLAT,1/4
9	1	147947	TBBN147947	TUBE-CNVLT,HT RFLCTV,1",2'
10	1	147948	TBBN147948	TUBE-RFLCTV SLEEVE;1.50",1.5'
11	2	61480914	23-12691-002	CLAMP-HOSE,CONSTANT TNSN,1.000
12	2	61190163	23-09132-010	CLAMP-SS,11/16,1-1/4
13	1	61360918	TBB61360918	CONNECTOR,STRAIGHT
14	1	61360262	TBB61360262	CONN: -8 ORS X -12
15	1	180299	TBBN180299	CONN-HOSE BARB,NO8,DUAL SWIVEL

FTL MODULE 534-RESERVOIR,PWR STEERING,EFX

ITEM	QTY	TBB PART #	FTL PART #	DESCRIPTION
1	1	242561	TBBN242561	RSVR-POWER STEERING,EFX
2	1	176095	TBBN176095	ASSY-BRKT,STRG RESERVOIR
3	1	176098	TBBN176098	RETAINER-STRG RESERVOIR
4	4	61370805	23-11743-150	SCREW-CAP,HEX,1/4-20 UNC
5	4	61370348	23-10900-025	WASHER-FLAT,1/4
6	2	61370824	23-11747-075	SCREW-CAP,HEX,3/8-16 UNC
7	2	61370350	23-09114-002	WASHER-HRDN,0.41X0.81X.080 ZN



534	004
	4X
005	4X

534	003
-----	-----

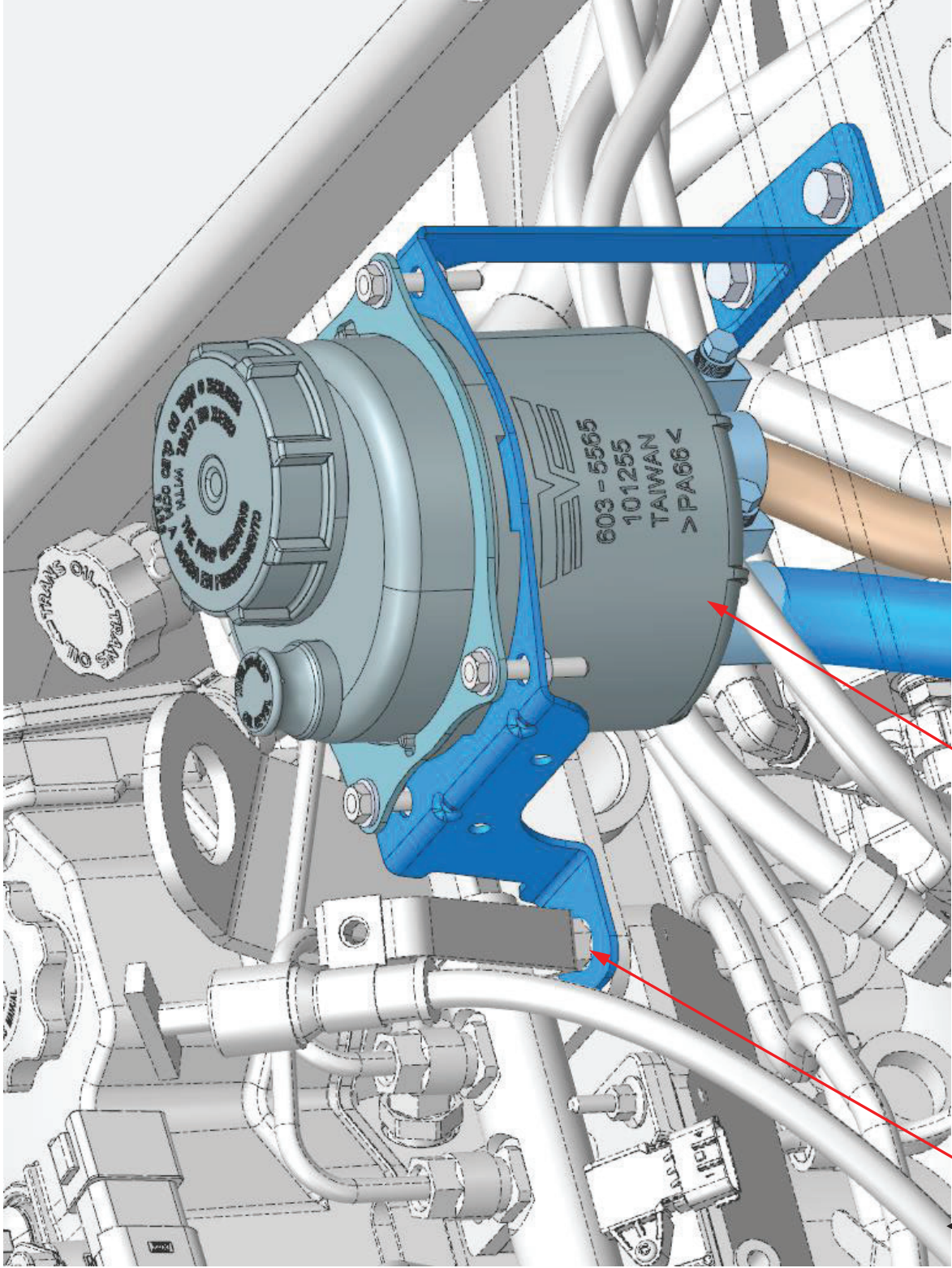
534	002
-----	-----

FUEL LINES
(REF)

534	006
	2X
007	2X

△ 1

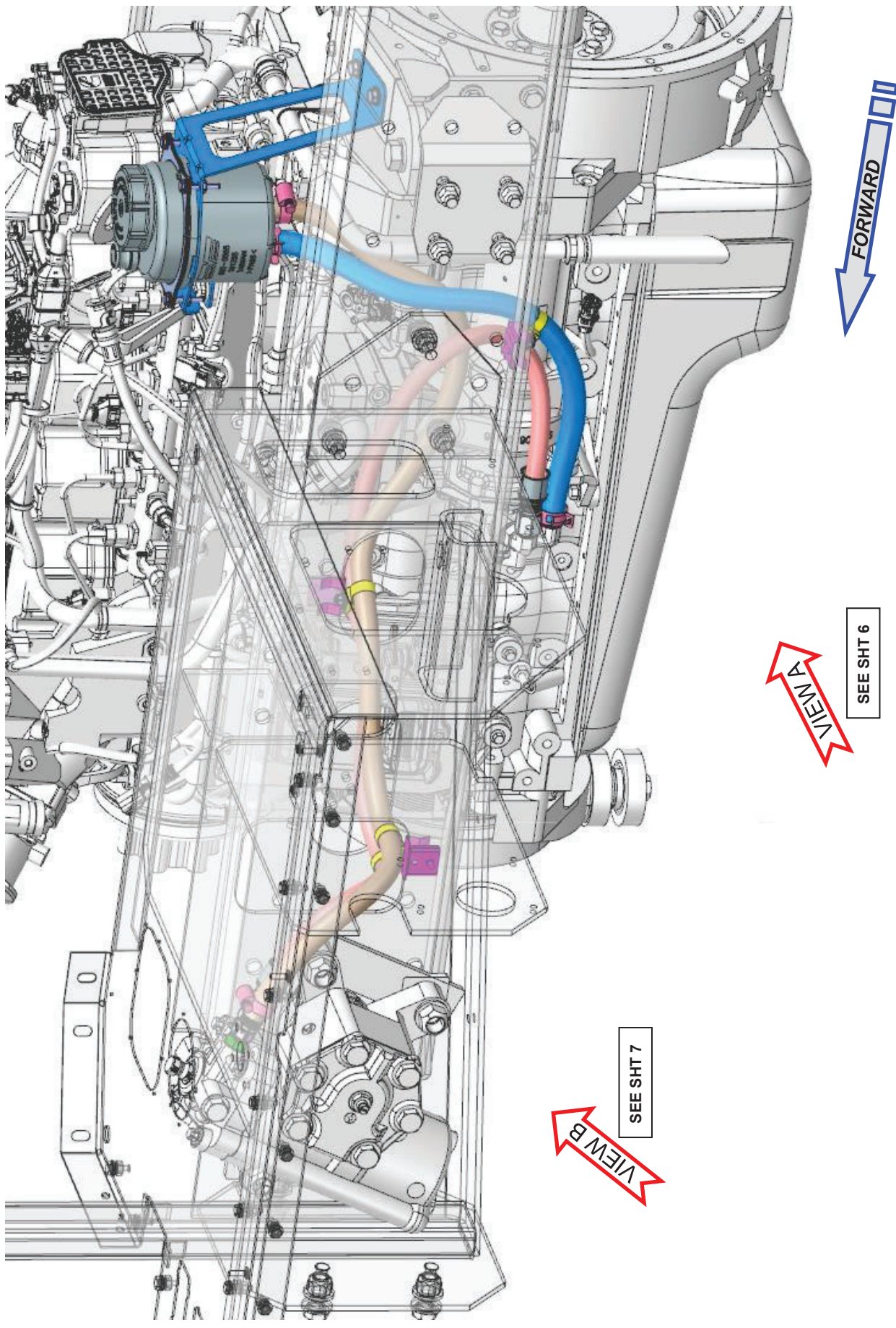
534	001
-----	-----



ORIENT RESERVOIR AS SHOWN

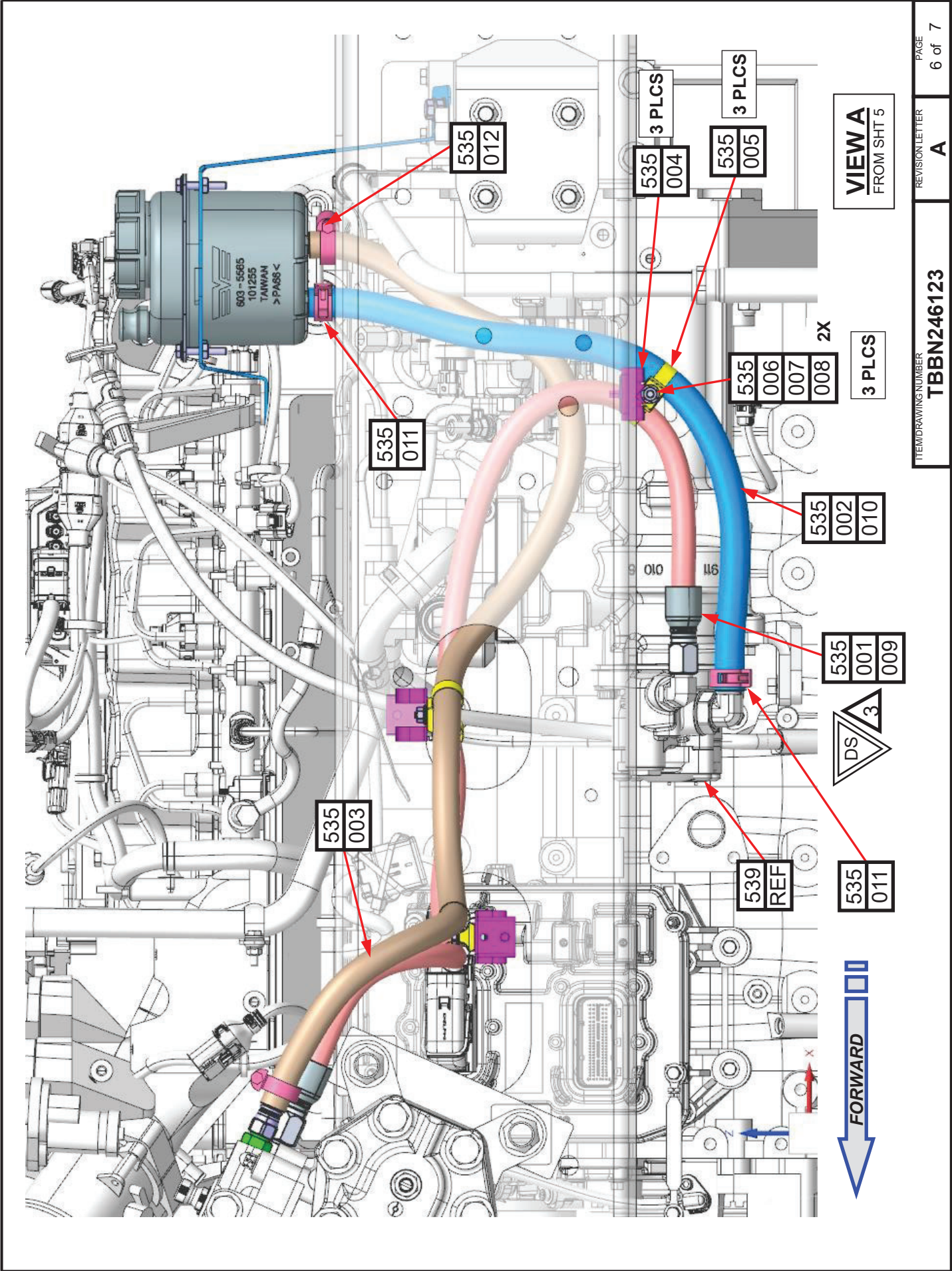
USE EXITING HARDWARE

FORWARD



SEE SHT 6

SEE SHT 7



VIEW A
FROM SHT 5

3 PLCS

535
002
010

535
001
009

DS 3

535
011

FORWARD

535
004

535
006
007
008 2X

535
002
010

535
001
009

DS 3

535
011

FORWARD

535
012

535
004

535
002
010

535
001
009

DS 3

535
011

FORWARD

535
004

535
006
007
008 2X

535
002
010

535
001
009

DS 3

535
011

FORWARD

535
012

535
004

535
002
010

535
001
009

DS 3

535
011

FORWARD

535
011

535
003

FORWARD

535
012

535
004

535
002
010

535
001
009

DS 3

535
011

FORWARD

535
012

535
004

535
002
010

535
001
009

DS 3

535
011

FORWARD

535
012

535
004

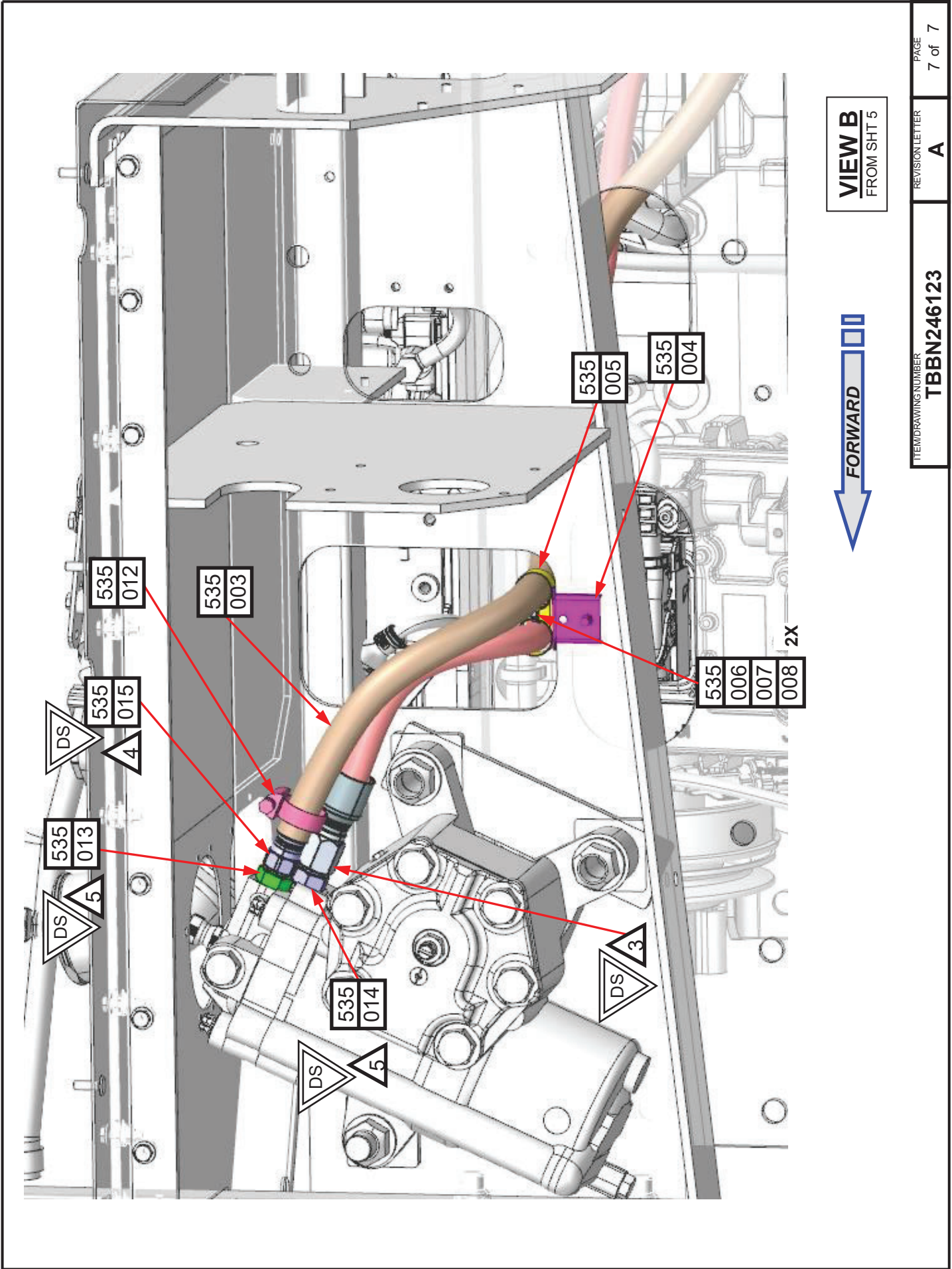
535
002
010

535
001
009

DS 3

535
011

FORWARD



VIEW B
FROM SHT 5

FORWARD →