



Service Bulletin

Bulletin No.: 24-NA-221

Date: October, 2024

TECHNICAL

Subject: Brake Squeal or Squeak Noise Intermittently on Initial Brake Applies (Maintenance Reminder)

Brand:	Model:	Model Year:		VIN:		Engine:	Transmission:
		from	to	from	to		
Chevrolet	Corvette	2025	2025	—	—	All	All

Involved Region or Country	North America, Europe, Russia, Middle East, Iraq, Israel, Palestine, Cadillac Korea (South Korea), Thailand, China, Japan
Condition	Some customers may comment on a squeal or squeak noise from the front brakes. This condition normally only occurs on initial brake applications after the vehicle has sat for an extended time. The condition occurs typically under light braking, in speeds under 16 km/h (10 mph). After 1-6 brake applies, or after braking at higher speeds, the noise no longer occurs. This condition may occur more often in high humidity conditions.
Correction	Apply a coat of copper paste to completely cover the pad backing plate abutments on each end. This maintenance item is not covered under warranty and is the financial responsibility of the customer, as described in the Corvette owner's manual in the Vehicle Care section, sub-section Brakes.

Service Procedure

Important: Service agents must comply with all International, Federal, State, Provincial, and/or Local laws applicable to the activities it performs under this bulletin, including but not limited to handling, deploying, preparing, classifying, packaging, marking, labeling, and shipping dangerous goods. In the event of a conflict between the procedures set forth in this bulletin and the laws that apply to your dealership, you must follow those applicable laws.

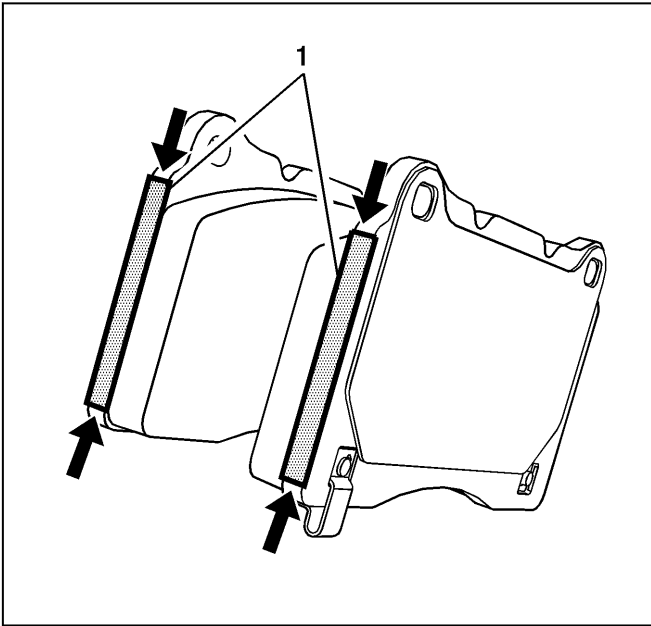
Important: The use of wheel cleaners or power washers directly pointed at the brake caliper may wash the copper paste off of the brake pads. It may be necessary to apply the copper paste again if the lubricant is washed away. The copper paste should be applied whenever the brake pads are removed or replaced.

To help reduce squeal, the brake pads are treated with an anti-squeal paste that may need to be reapplied periodically as part of normal vehicle maintenance. The anti-squeal paste will dissipate over time. Also, the use of wheel cleaners or power washers directly on the brake calipers may remove the anti-squeal paste from the brake pads. It may be necessary to reapply the anti-squeal paste if it is removed during cleaning.

If brake squeal is excessive, the anti-squeal paste should be reapplied. The anti-squeal paste should always be reapplied whenever the brake pads are removed or replaced.

Apply a coat of copper paste to completely cover the pad backing plate abutments on each end. The paste should not extend onto the friction material. Follow the instructions listed below.

Chevrolet Corvette

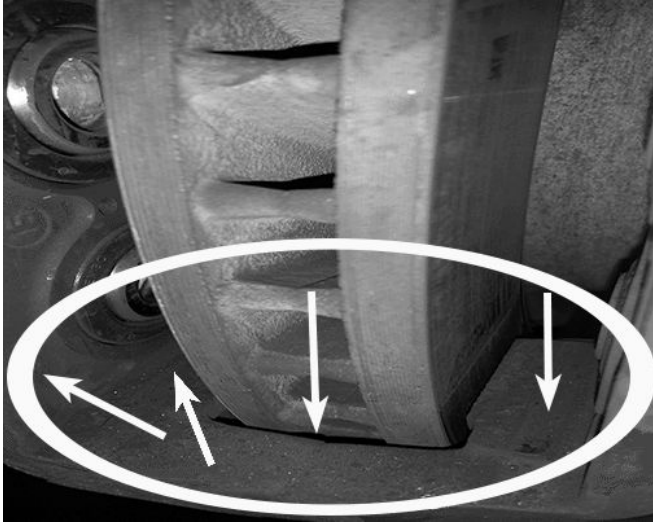


3326987



5926095

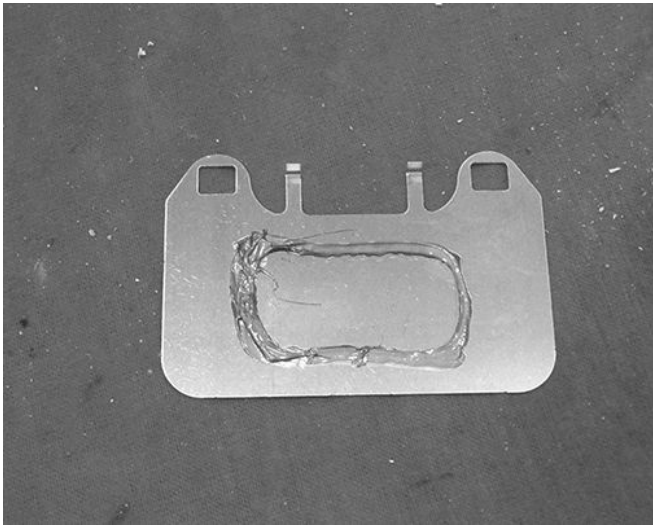
1. Remove the front disc brake pads. Refer to *Front Disc Brake Pads Replacement* in SI.
2. Remove the rear disc brake pads. Refer to *Rear Disc Brake Pads Replacement* in SI.



4337633

3. Using acrysol Kent Industries Part# P2005 or equivalent, wipe clean both ends of the abutment area on the front and rear pads and calipers.
4. Apply approximately 0.10 g (0.0035 oz) of copper paste to each end of the disc brake pad abutments that contact the brake caliper bracket.

Note: Ensure that the ends of the brake pads have enough copper paste applied. If not, it could result in the noise condition returning.



4364263



4364283

5. Reinstall the front disc brake pads. Refer to *Front Disc Brake Pads Replacement* in SI.



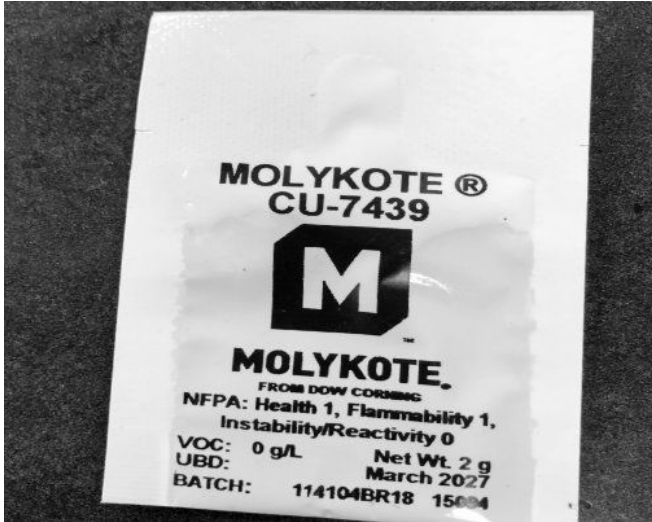
4337814

Important: DO NOT remove the silencers (1) on the pads.

Important: Always replace brake pads with Brembo GM OEM pads (2). Aftermarket pads could result in the braking performance changing in many ways.

6. Reinstall the rear disc brake pads. Refer to *Rear Disc Brake Pads Replacement* in SI.

Parts Information



6313566

Description	Part Number	Qty
Molykote Lubricant Anti-seize Paste*	19303310 (in Canada, 19303311)	N/A

*We believe this source and their products to be reliable. There may be additional manufacturers of such products/materials. General Motors does not endorse, indicate any preference for, or assume any responsibility for the products or material from this firm or for any such items that may be available from other sources.

Version	1
Modified	Released October 07, 2024

