



# Service Bulletin

Bulletin No.: 18-NA-056


Date: October, 2024

## TECHNICAL

**Subject: Side Object Sensing Alert Module Not Working Correctly and/or Incorrect Side Mirror Notification**

**This Service Bulletin replaces PIC6324. Please discard PIC6324.**

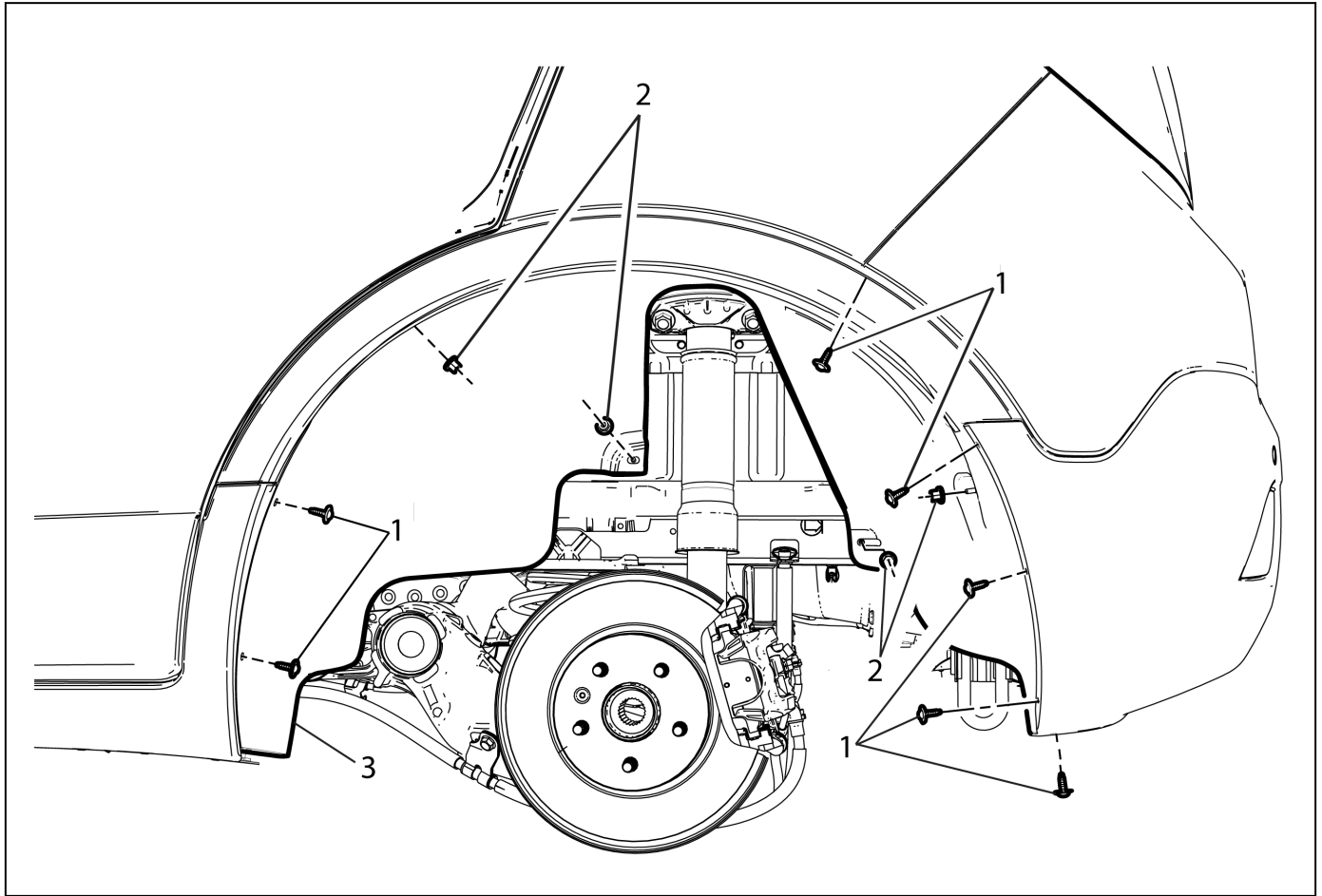
Brand:	Model:	Model Year:		VIN:		Engine:	Transmission:
		from	to	from	to		
Buick	Encore	2017	2023	—	—	All	All

<b>Involved Region or Country</b>	North America
<b>Additional Options (RPOs)</b>	Equipped with SIDE ACTIVE SAFETY-OBSTACLE DETECTION (RPO UFT)
<b>Condition</b>	Some customers may comment that when driving, the side mirror indicates there is a vehicle present when there is not.
<b>Cause</b>	<div style="text-align: center;">  </div> <p><b>Note:</b> Most radar reflections may be found worse on the driver side than the passenger side. <span style="float: right;">4974639</span> This condition may be caused by unwanted radar reflection being detected and triggering the false alerts.</p>
<b>Correction</b>	If the side blind zone has been found not working properly, or if the tape is missing or loose, apply a piece of aluminum butyl tape to the bottom of the side object sensing alert module.

**Important: Service agents must comply with all International, Federal, State, Provincial, and/or Local laws applicable to the activities it performs under this bulletin, including but not limited to handling, deploying, preparing, classifying, packaging, marking, labeling, and shipping dangerous goods. In the event of a conflict between the procedures set forth in this bulletin and the laws that apply to your dealership, you must follow those applicable laws.**

**Service Procedure**

1. Raise the vehicle. Refer to *Lifting and Jacking the Vehicle* in SI.

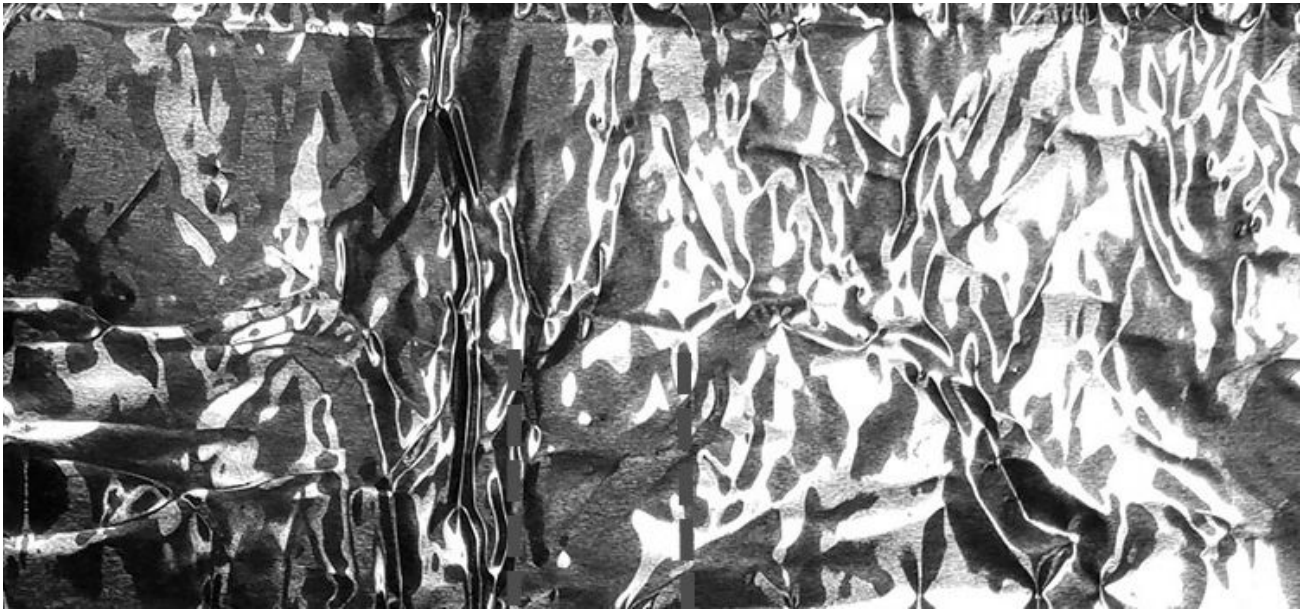


3608376

2. Remove the affected side rear wheelhouse liner (3). Refer to *Rear Wheelhouse Liner Replacement* in SI.
3. Separate the wiring harness from the anchor point under the module.

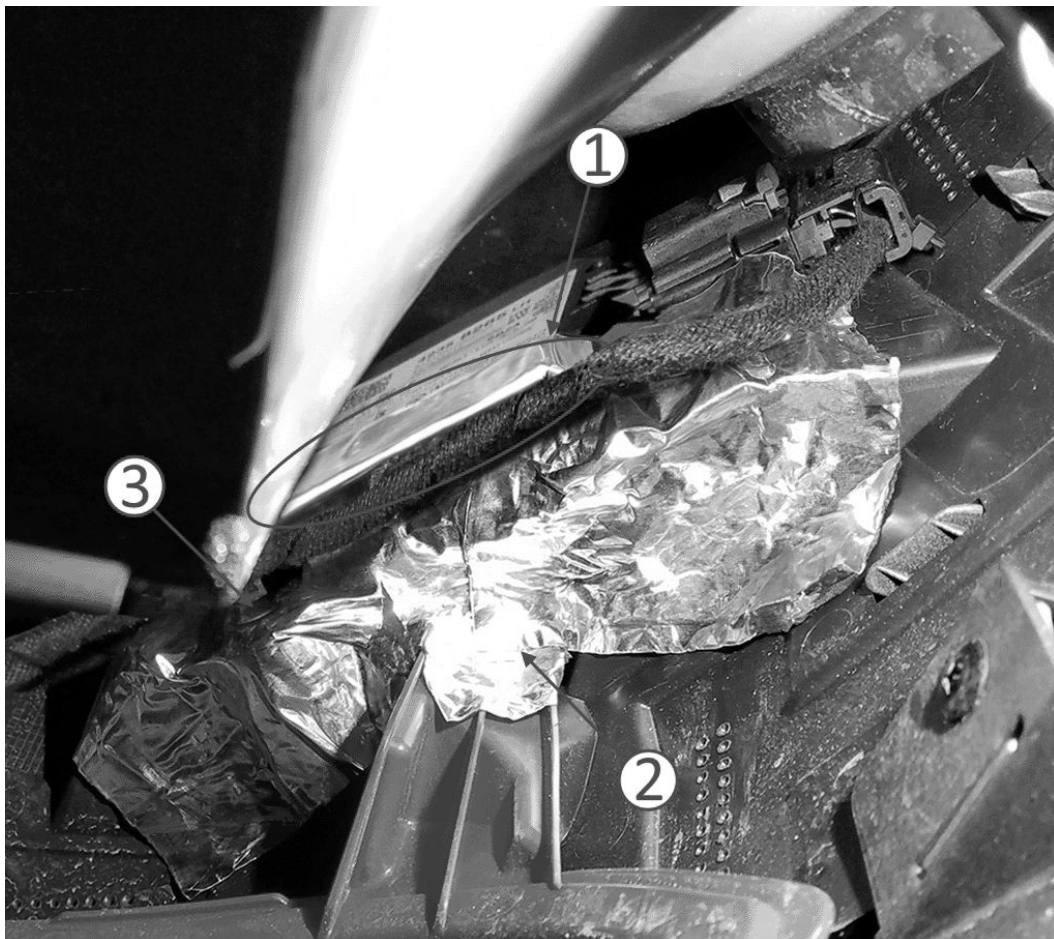
**Note:** The lower area must be completely covered, including the wire harness anchor point, to avoid unwanted radar reflections to be detected.

4. Using Acrysol or equivalent, clean the bottom of the module and fascia.
5. Using care, cut a 3½ inch wide section of butyl tape.



4997546

6. Using care, cut a relief for the reflector mount in the middle of the tape.
7. Pre-install the butyl tape and check for alignment to the reflector mount.



4998143

8. Align the pre-cut relief with the reflector mount (2).
9. Peel the backing off the aluminum butyl tape and apply to the bottom of the module (1) and fascia making sure the area is completely covered as shown in the graphic above.
10. Install the wiring harness into the anchor point (3).

11. Install the affected side wheelhouse liner.
12. Lower the vehicle.
  - If the side blind zone and/or side mirror indicators are performing properly, no further action is required.
  - If the side blind zone and/or side mirror indicators are not performing properly, refer to SI for further diagnostics.

### Parts Information

Causal Part	Description	Part Number	Qty
N/A	DEADENER, RF PNL FRT (200 X 305)	22709067**	1
**There is enough material to do additional vehicles. Store the remaining material for future use.			

### Warranty Information

For vehicles repaired under the Bumper-to-Bumper coverage (Canada Base Warranty coverage), use the following Labor Operation. Reference the Applicable Warranties section of Investigate Vehicle History (IVH) for coverage information.

Labor Operation	Description	Labor Time
6480458*	Apply Butyl Tape to Side Object Sensing Module	0.6 hr
*This is a unique Labor Operation for bulletin use only.		

Version	
	6
<b>Modified</b>	Released March 16, 2018 Revised April 17, 2018 – Updated the Model Year to 2017. Revised June 13, 2019 – Updated the Model Year to 2019. Revised September 01, 2020 – Updated the Model Year to 2020. Revised December 14, 2020 – Removed verbiage specific to one side of vehicle. Revised October 02, 2024 – Added the 2021-2023 Model Years, updated Correction section, and added Important statement.

Additional SI Keywords: side object, detection, side blind zone

