

TRAILERS

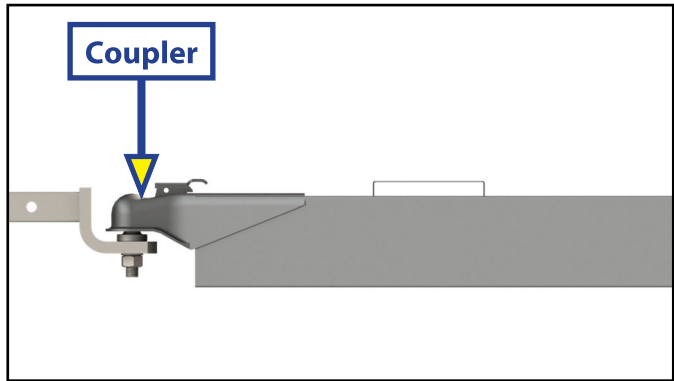
Purpose

This document illustrates the hitch weight percentages for travel trailers, 5th wheel trailers and gooseneck trailers. Recommended hitch weight is calculated as a percentage of the gross vehicle weight rating (GVWR).

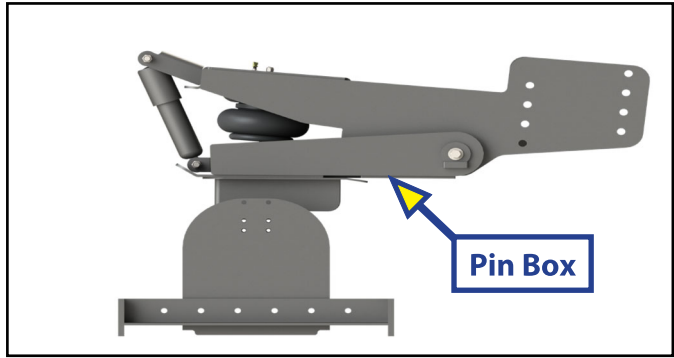
NOTE: Make sure to check the gross vehicle weight rating for the vehicle and the gross vehicle weight rating for the trailer.

Failure to ensure properly distributed trailer weight may result in dangerous conditions, such as trailer sway or steering issues.

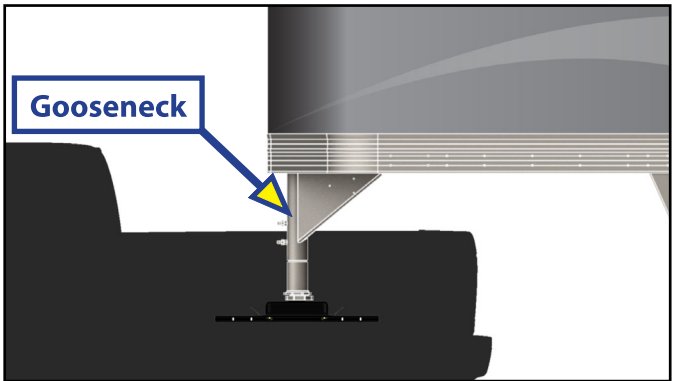
**Coupler
Load Rating
= 9%-15%
of GVWR**



**Pin Box
Load Rating
= 15%-20%
of GVWR**



**Gooseneck
Load Rating
= 10%-15%
of GVWR**



As a supplier of a broad array of highly-engineered components in the recreation and transportation product markets, safety, education and customer satisfaction are our primary concerns. Should you have any questions, please do not hesitate to contact us at 432-LIPPERT (432-547-7378) or by email at customerservice@lci1.com. Self-help tips, technical documents, product videos and a training class schedule are available at lippert.com or by downloading the LippertNOW app.