



# Technical Service Bulletin

<b>TORQUE CORRECTION FOR INSTRUMENT PANEL – SERVICE MANUAL REVISION</b>			No: <b>TSB-24-52-002</b>
			DATE: <b>October 2024</b>
			MODEL: <b>Eclipse Cross</b>
<b>CIRCULATE TO:</b>	<input type="checkbox"/> GENERAL MANAGER	<input checked="" type="checkbox"/> PARTS MANAGER	<input checked="" type="checkbox"/> TECHNICIAN
<input checked="" type="checkbox"/> SERVICE ADVISOR	<input checked="" type="checkbox"/> SERVICE MANAGER	<input checked="" type="checkbox"/> WARRANTY PROCESSOR	<input type="checkbox"/> SALES MANAGER

## PURPOSE

This TSB provides correction to the torque for Instrument Panel Assembly/Reassembly in the applicable Service Manuals:

## AFFECTED VEHICLES

2018-2020 and 2022-2024 Eclipse Cross

## AFFECTED SERVICE MANUAL

- 2018-2020 and 2022-2024 Eclipse Cross Service Manual

## PROCEDURE

Please use the following chart as a guide to replace the indicated pages in the affected Service Manual, Group 52, Interior, Instrument Panel Assembly, Instrument Panel Assembly Removal and Installation.

Applicable Manual	Pub. No.	Applicable Title	Contents
2018 ECLIPSE CROSS Service Manual	MSCD-020B-2018	INTERIOR └ INSTRUMENT PANEL ASSEMBLY └ INSTRUMENT PANEL ASSEMBLY REMOVAL AND INSTALLATION	Attached sheet 2
2019 ECLIPSE CROSS Service Manual	MSCD-020B-2019	INTERIOR └ INSTRUMENT CENTER PANEL └ INSTRUMENT CENTER PANEL REMOVAL AND INSTALLATION	Attached sheet 3
2020 ECLIPSE CROSS Service Manual	MSCD-020B-2020		
2022 ECLIPSE CROSS Service Manual	MSCD-020B-2022		Attached sheet 2
2023 ECLIPSE CROSS Service Manual	MSCD-020B-2023		
2024 ECLIPSE CROSS Service Manual	MSCD-020B-2024		Attached sheet 4



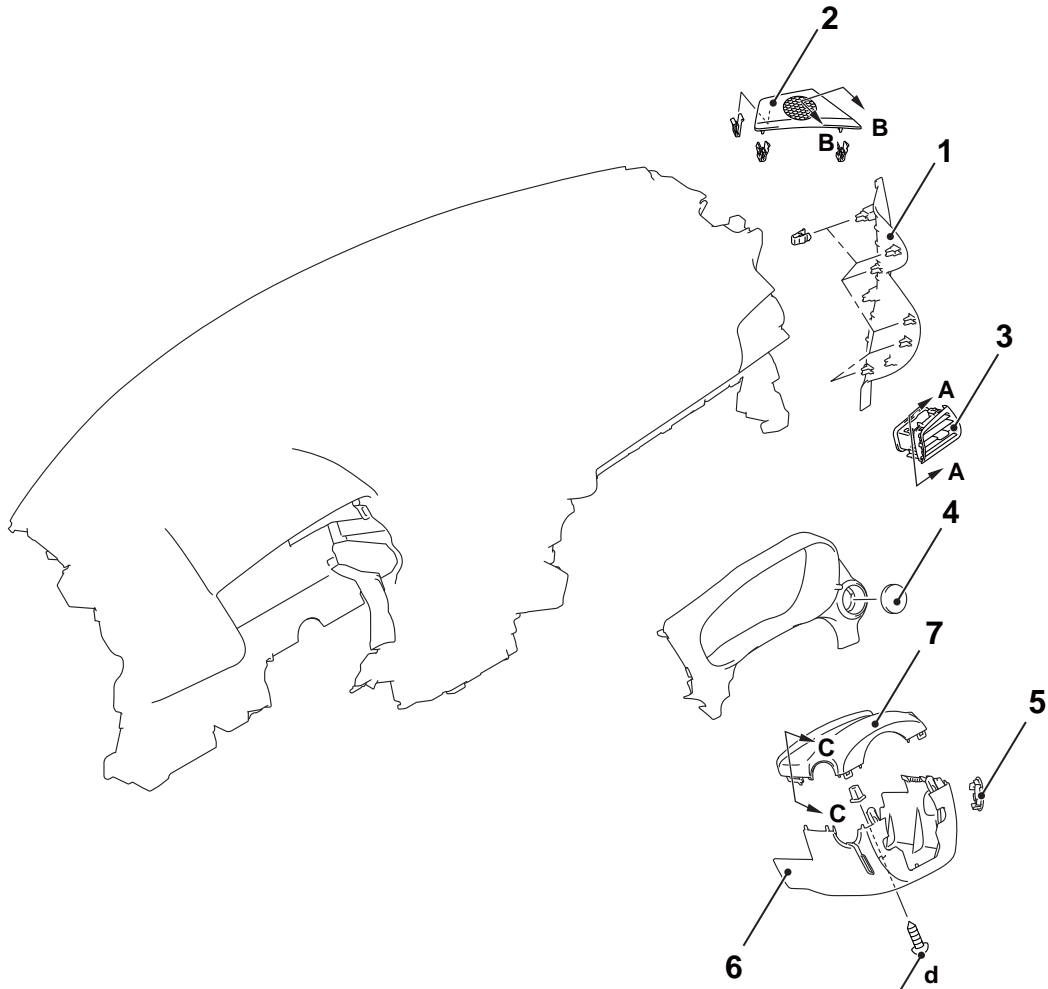
Copyright 2024, Mitsubishi Motors North America, Inc.

The information contained in this bulletin is subject to change. For the latest version of this document, go to the Mitsubishi Dealer Link, MEDIC, or the Mitsubishi Service Information website ([www.mitsubishitechinfo.com](http://www.mitsubishitechinfo.com)).

# INSTRUMENT PANEL ASSEMBLY

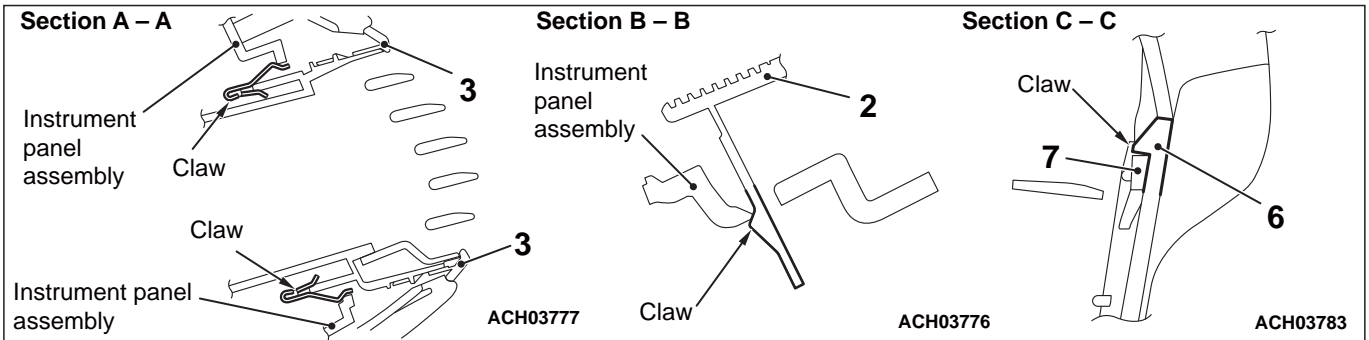
## REMOVAL AND INSTALLATION

M15210017A0068



<Corrected>  $2.5 \pm 0.5 \text{ N}\cdot\text{m}$   
 $22 \pm 4 \text{ in}\cdot\text{lb}$

BCH03996AA



**Instrument panel side cover removal steps**

1. Instrument panel side cover
2. Front speaker garnish

**Instrument panel side air outlet removal**

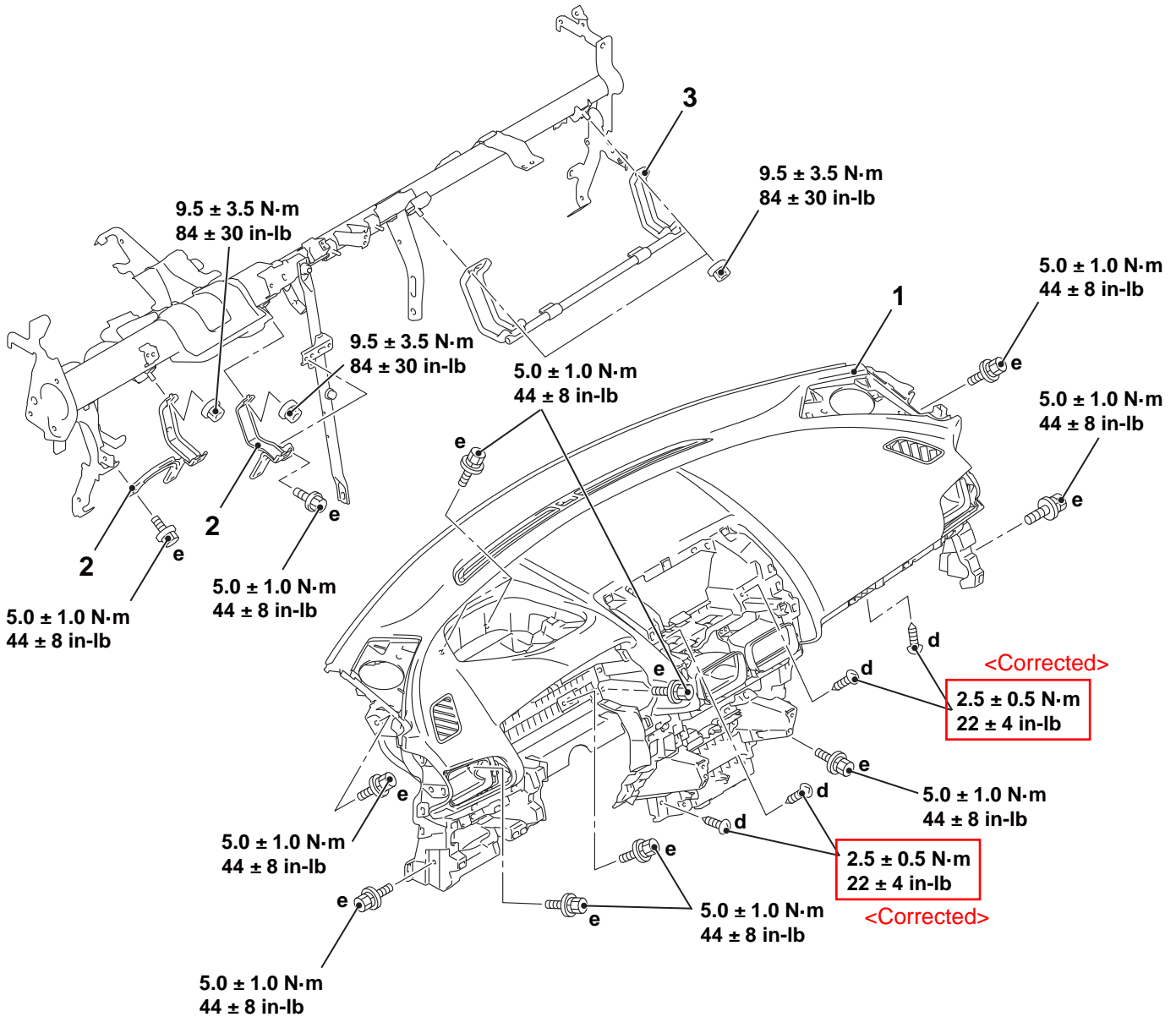
3. Instrument panel side air outlet

**Combination meter bezel removal steps**

- Combination meter bezel (Refer to GROUP 54A - Combination Meter ).
4. Engine switch or switch plug

**Steering column cover removal steps**

5. Instrument panel key cylinder panel  
<Vehicles with OSS>
6. Steering column cover lower
7. Steering column cover upper



BCH04910AA

**Removal steps**

- Front pillar trim
- Glovebox case assembly
- Instrument panel lower assembly

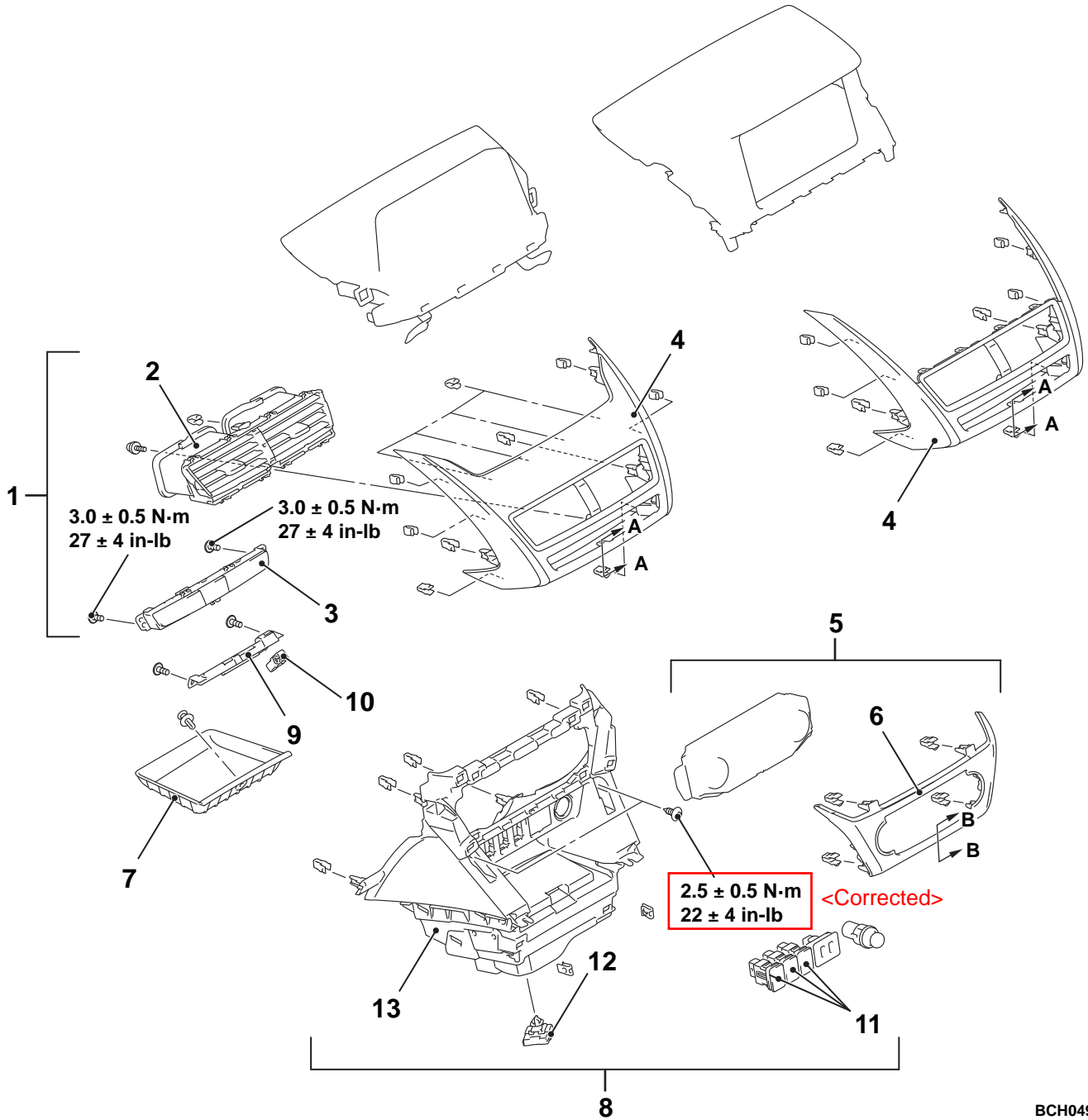
**Removal steps**

- Knee air bag module (Refer to GROUP 52B - Knee Air Bag Module ).

# INSTRUMENT CENTER PANEL

## REMOVAL AND INSTALLATION

M15210113A0081



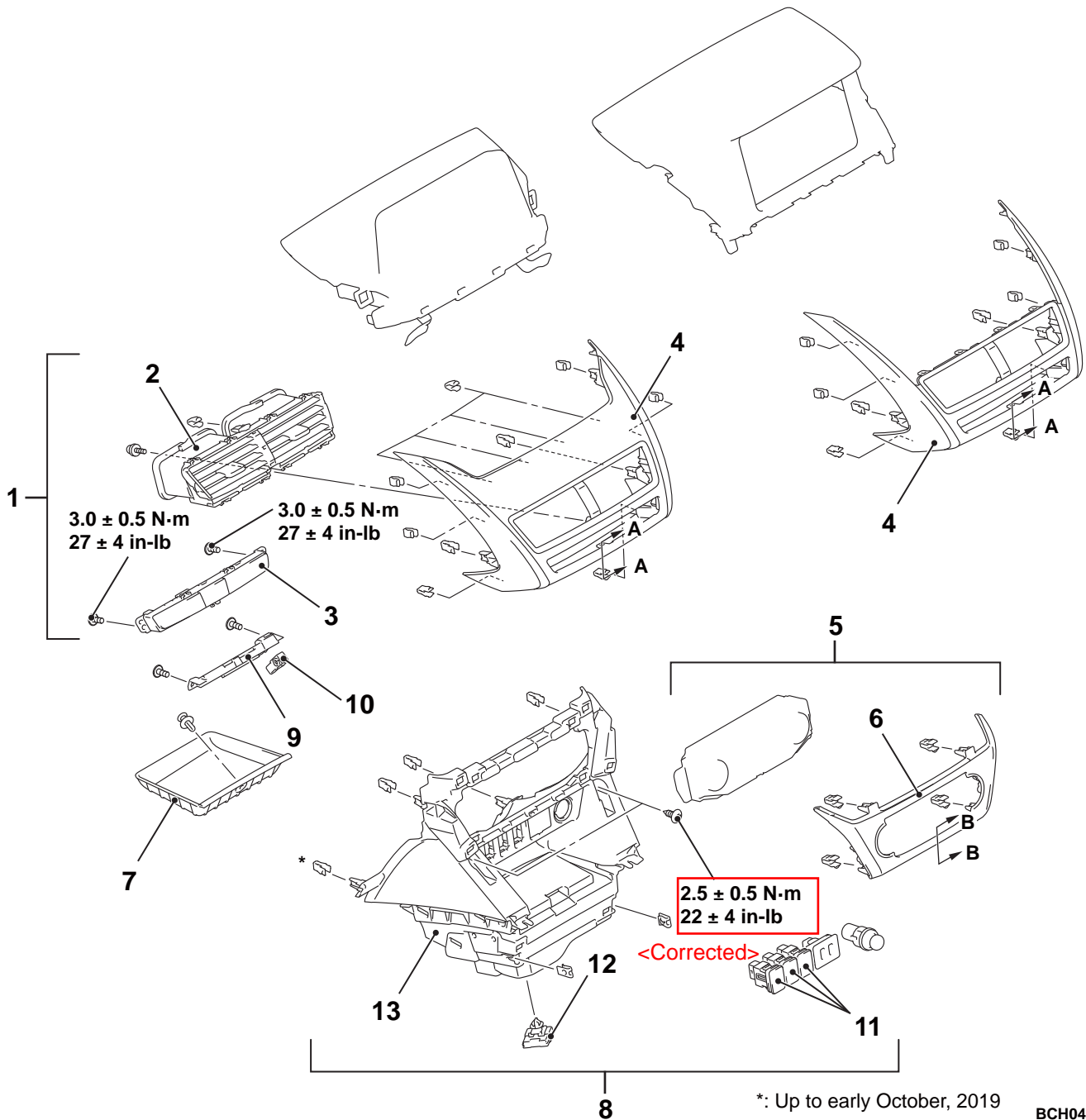
BCH04911 AF

# INSTRUMENT CENTER PANEL

## REMOVAL AND INSTALLATION

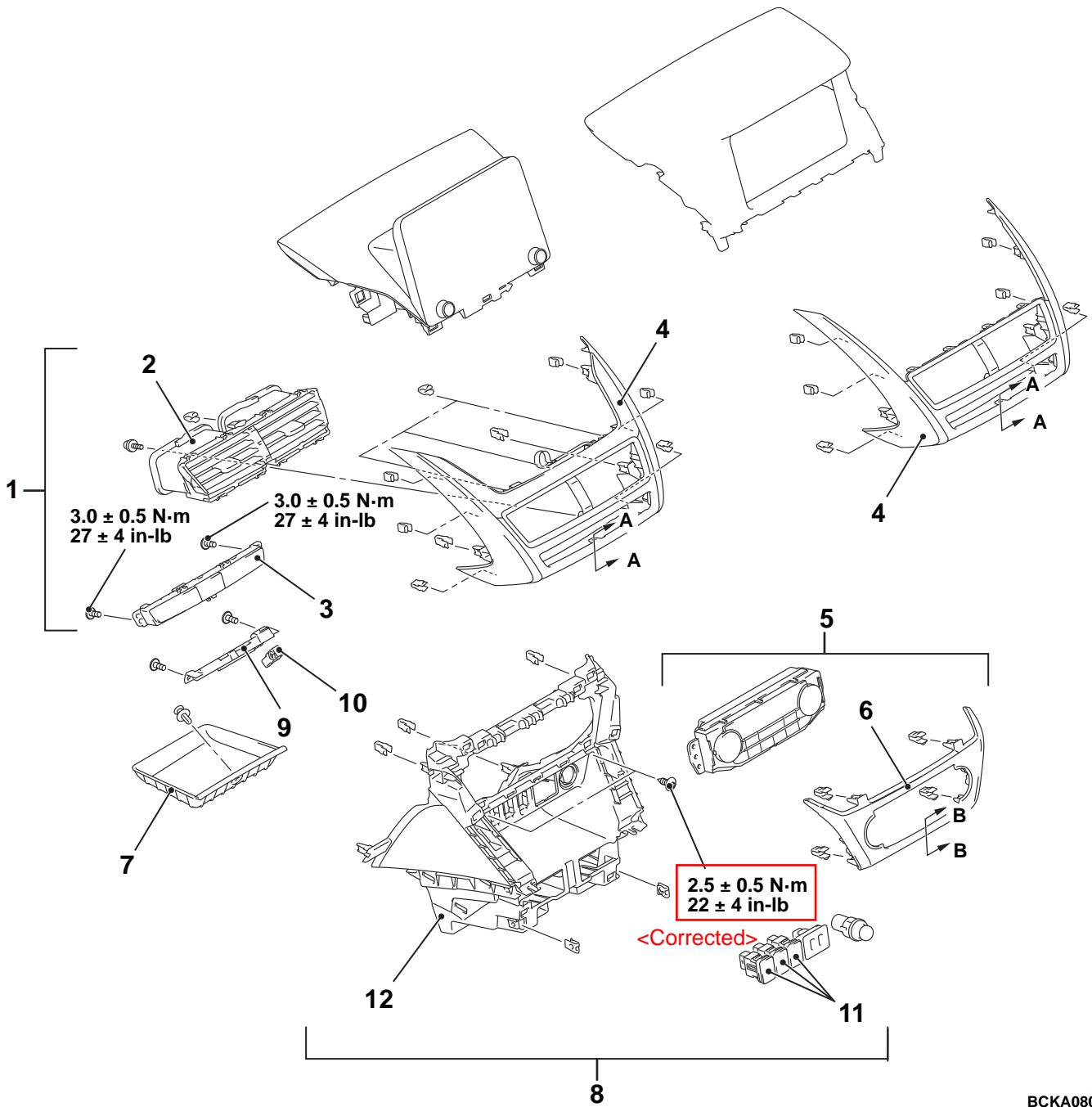
M15210113A0082

<Up to 20 Model year>



BCH04911AG

<From 22 Model year>



BCKA0808AV