



Technical Service Bulletin

SUBJECT: HEADLINING PAD REMOVAL AND INSTALLATION – SERVICE MANUAL REVISION			No: TSB-24-52-001
			DATE: October 2024
			MODEL: Outlander Sport
CIRCULATE TO:	<input type="checkbox"/> GENERAL MANAGER	<input checked="" type="checkbox"/> PARTS MANAGER	<input checked="" type="checkbox"/> TECHNICIAN
<input checked="" type="checkbox"/> SERVICE ADVISOR	<input checked="" type="checkbox"/> SERVICE MANAGER	<input checked="" type="checkbox"/> WARRANTY PROCESSOR	<input type="checkbox"/> SALES MANAGER

PURPOSE

This TSB provides the addition of Headlining Pad service procedure in the applicable Service Manual:

AFFECTED VEHICLES

2024 Outlander Sport

AFFECTED SERVICE MANUAL

- 2024 Outlander Sport

PROCEDURE

Please use the following chart as a guide to replace the indicated pages in the affected Service Manual, Group 52, Interior, Headlining, Headlining Removal and Installation.

Applicable Manual	Pub. No.	Applicable Title	Contents
2024 OUTLANDER SPORT Service Manual	MSCD-017B-2024	INTERIOR └ HEADLINING └ HEADLINING REMOVAL AND INSTALLATION	Attached sheet 1



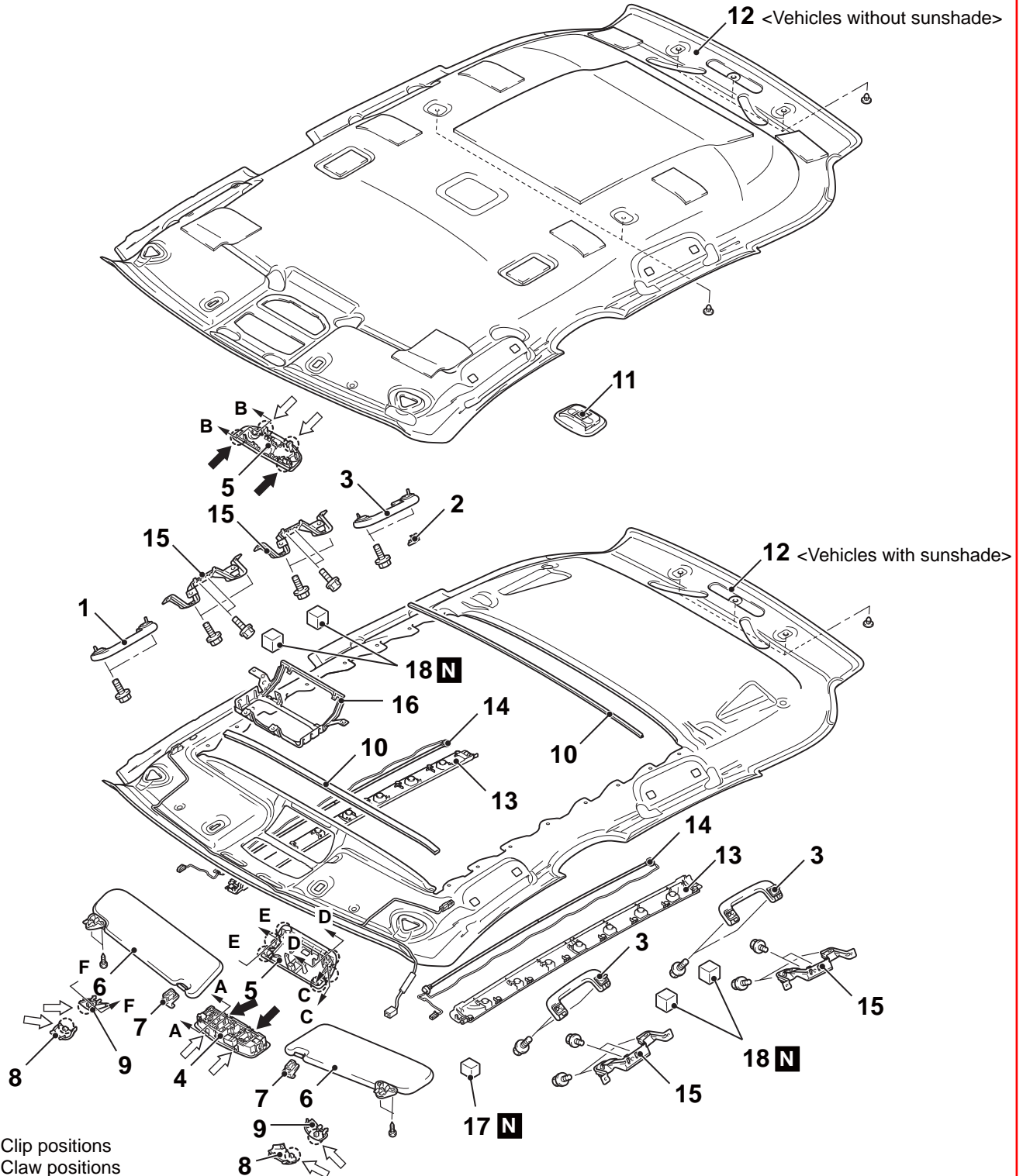
Copyright 2024, Mitsubishi Motors North America, Inc.

The information contained in this bulletin is subject to change. For the latest version of this document, go to the Mitsubishi Dealer Link, MEDIC, or the Mitsubishi Service Information website (www.mitsubishitechinfo.com).

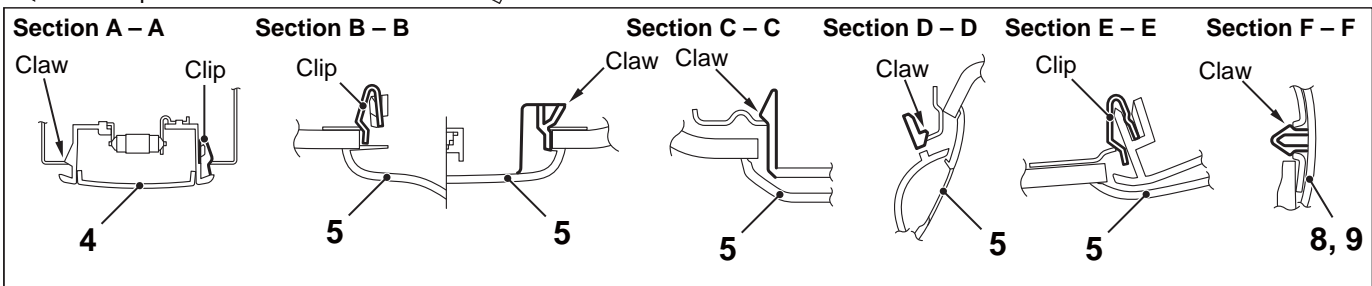
REMOVAL AND INSTALLATION

Pre-removal and Post-installation Operation
Removal and Installation of Front Pillar Trim, Center Pillar Trim Upper, Quarter Trim Upper.

<Corrected>



Note
 ← : Clip positions
 ⇐ : Claw positions



Removal steps

1. Roof inside assist grip (driver's side)
<Vehicles with curtain air bag>
2. Assist grip cover <>
3. Roof inside assist grip
4. Front dome light assembly (Refer to GROUP 54A - Dome Light).
5. Security alarm sensor cover
6. Sun visor
7. Sun visor holder
8. Headlining garnish (front) <Vehicles with roof window glass>
9. Headlining garnish cover (rear)
<Vehicles with roof window glass>
10. Headlining trim

Removal steps

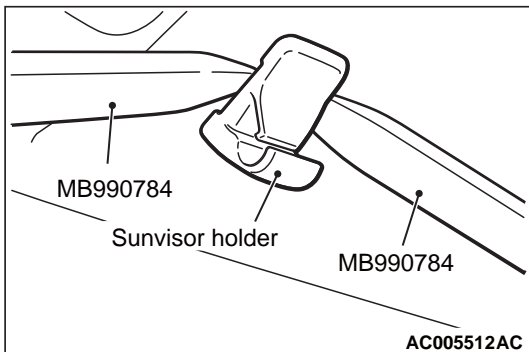
11. Rear dome light assembly (Refer to GROUP 54A - Dome Light).
12. Headlining
13. Headlining garnish <Vehicles with roof window glass>
14. Spot light assembly
 - Curtain air bag module mounting bolt (Refer to GROUP 52B - Curtain Air Bag Module).
15. Assist grip bracket
16. Map light bracket
- >>B<< 17. Pad <From middle of August, 2024>
- >>A<< 18. Pad <From middle of August, 2024>

<<A>>

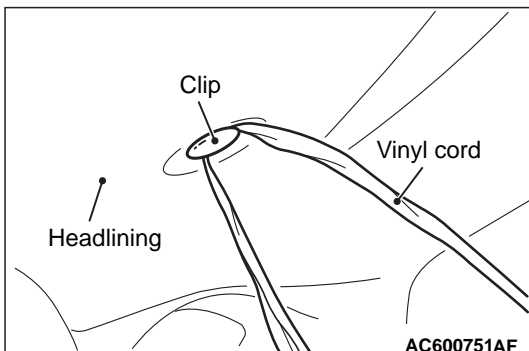
<Added>

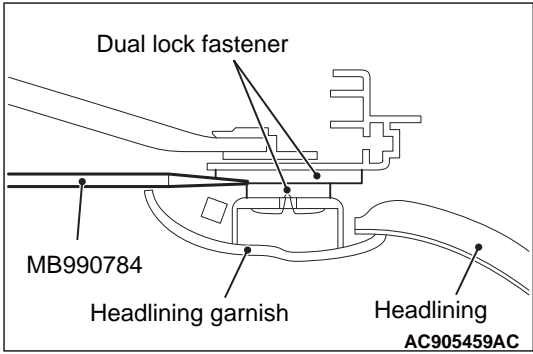
REMOVAL SERVICE POINTS**<<A>> SUN VISOR HOLDER REMOVAL**

Insert the special tools ornament remover (MB990784) into the sun visor holder from its left and right sides to disengage the claws on the sun visor holder sides.

**<> HEADLINING REMOVAL**

To remove the clip, insert a vinyl cord into a clearance between the clip and the headlining, and pass it around the clip. Then, pull out the clip downwards while pulling the vinyl cord.





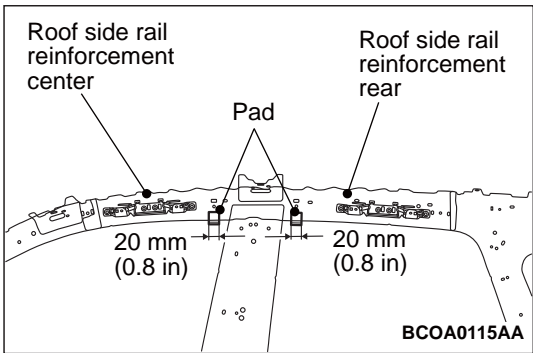
Remove the headlining by inserting the special tool in the clearance of the dual lock fastener. <Vehicles with roof window glass>

<Added>

INSTALLATION SERVICE POINTS

>>A<< PAD INSTALLATION

Install the pad located as shown in the figure.



>>B<< PAD INSTALLATION

Install the pad located as shown in the figure.

