



Technical Service Bulletin

SUBJECT:		NO: TSB-24-51-002	
ROOF RACK REMOVAL AND INSTALLATION – SERVICE MANUAL REVISION		DATE: October 2024	
		MODEL: Eclipse Cross	
CIRCULATE TO:	<input type="checkbox"/> GENERAL MANAGER	<input checked="" type="checkbox"/> PARTS MANAGER	<input checked="" type="checkbox"/> TECHNICIAN
<input checked="" type="checkbox"/> SERVICE ADVISOR	<input checked="" type="checkbox"/> SERVICE MANAGER	<input checked="" type="checkbox"/> WARRANTY PROCESSOR	<input type="checkbox"/> SALES MANAGER

PURPOSE

This TSB provides additional information for Roof Rack removal and installation in the applicable Service Manuals:

AFFECTED VEHICLES

2018-2020 Eclipse Cross
2022-2024 Eclipse Cross

AFFECTED SERVICE MANUAL

- 2018-2020 Eclipse Cross Service Manual
- 2022-2024 Eclipse Cross Service Manual

PROCEDURE

Please use the following chart as a guide to replace the indicated pages in the affected Service Manuals, Group 51, Exterior, Roof Rack, Removal and Installation.

Applicable Manual	Pub. No.	Applicable Title	Contents
2018 ECLIPSE CROSS Service Manual	MSCD-020B-2018	EXTERIOR ↳ ROOF RACK ↳ REMOVAL AND INSTALLATION	Attached sheet 1
2019 ECLIPSE CROSS Service Manual	MSCD-020B-2019		
2020 ECLIPSE CROSS Service Manual	MSCD-020B-2020		
2022 ECLIPSE CROSS Service Manual	MSCD-020B-2022		
2023 ECLIPSE CROSS Service Manual	MSCD-020B-2023		
2024 ECLIPSE CROSS Service Manual	MSCD-020B-2024		



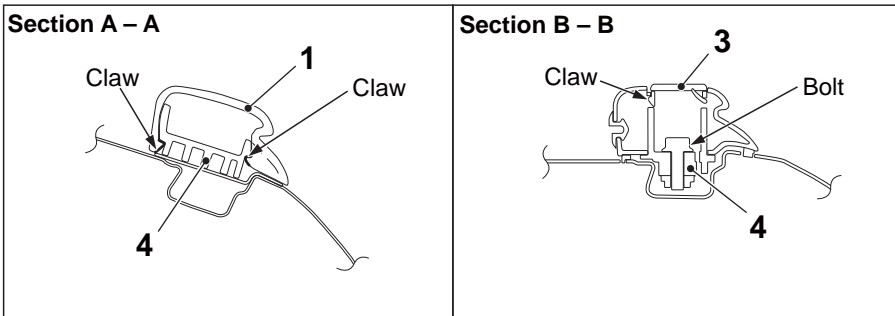
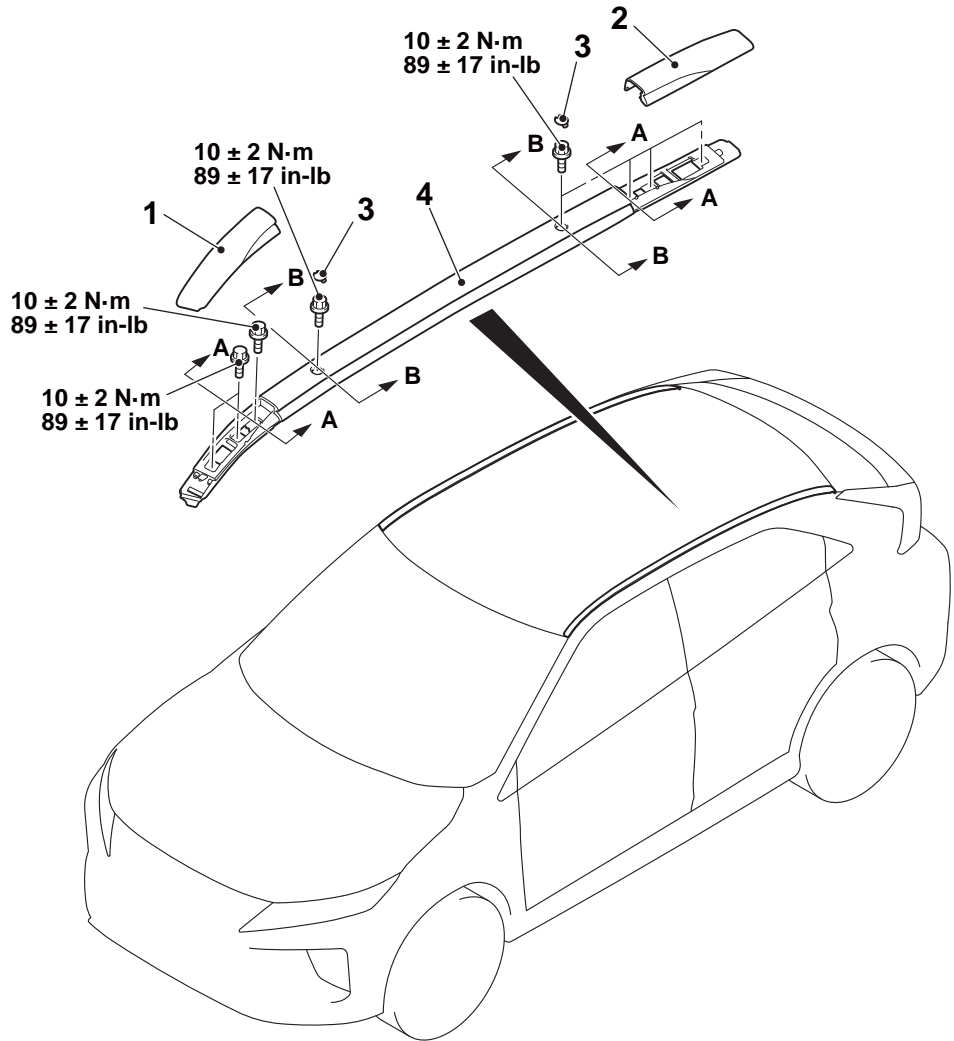
Copyright 2024, Mitsubishi Motors North America, Inc.

The information contained in this bulletin is subject to change. For the latest version of this document, go to the Mitsubishi Dealer Link, MEDIC, or the Mitsubishi Service Information website (www.mitsubishitechinfo.com).

ROOF RACK

REMOVAL AND INSTALLATION

M15110326A0020



BCKA3464AB

- <<A>>
- <<A>>
- Removal steps**
1. Roof rack front cover
 2. Roof rack rear cover

<Added>

>>B<<
>>A<<

- Removal steps**
3. Roof rack center cover
 4. Roof rack

ROOF RACK

REMOVAL SERVICE POINT

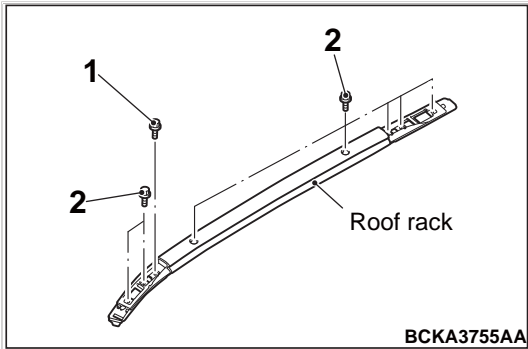
<<A>> ROOF RACK FRONT COVER/ROOF RACK REAR COVER

Remove the engagement between claws, and then pull out the cover toward the outside of the vehicle.

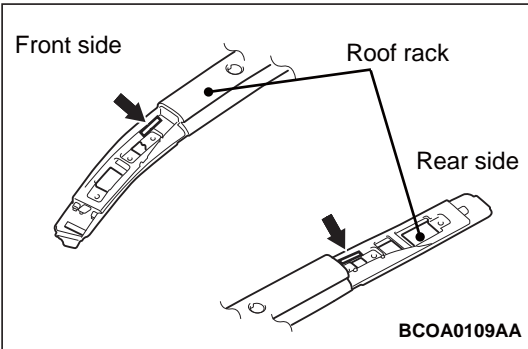
INSTALLATION SERVICE POINT

>>A<< ROOF RACK INSTALLATION

Tightening the roof rack bolts in the numerical order to 10 ± 2 N·m (89 ± 17 in-lb).



<Added>



>>B<< ROOF RACK CENTER COVER INSTALLATION

CAUTION

Two types of roof rack center covers with different shapes are available, so when replacing the roof rack cover, select and install a part that matches the shape of the roof rack. Select the roof rack center cover according to whether the roof rack has an identification stamp.

When replacing the roof rack center cover, check whether the roof rack has an identification stamp at the position shown, and select and install the correct part for the roof rack.

- **Roof rack with stamp: new roof rack center cover**
- **Roof rack without stamp: old roof rack center cover**

