

Technical Journal Title Rear light condensation-information and leak test		Ref. No. TJ 36908.1.0	
Issuer (Dept.) Technical Service		Issue Date 10/10/24	Status Date 10/24/24
Car Market United States and Canada	Partner 3 US 7510 Volvo Car USA	Function Group 3530	
Function Description Lighting, rear		Page Page 1 of 5	

Attachment

File Name	File Size
TJI-528763_2_1_8.pdf	0.0746 MB

DESCRIPTION:

If customer complains of moisture in the rear body lamps, follow advice under “Service”.

CSC Customer Symptom Codes

Code	Description
9H	Tail light/Moisture/mist on inside of lens

DTC Diagnostic Trouble Codes

Vehicle Type

Type	Eng	Eng Desc	Sales	Body	Gear	Steer	Model Year	Plant	Chassis range	Struc Week Range
539							2022-9999		-	202139-209952

SERVICE:

With the chosen rear body lamp concept, it is not possible to completely remove the occurrence of moisture in the lamps, so the lamps should not be replaced by default just because they are showing symptom of moisture. The method in this TJ will not prevent the moisture from occurring, but it will support with ventilating the lamps in a more effective way, in order to reduce the moisture faster.

Start with performing a leakage test according to VIDA instruction “Body tail lights, leak test”.
Search path in VIDA: Information > Cleanings, Inspection and Adjustment > 353 lightning rear > Body tail lights, leak test

If the lamp show symptom of leakage, replace the lamp according to VIDA instruction.

If the lamp shows no symptom of leakage, offer the customer to install a membrane in the lamp according to attached method TJI-528763_2_1_8.pdf.

Membrane part number: 32450105

Technical Journal 36908.1.0

Warranty claim info:

To get a warranty claim accepted for a job described in this TJ, use the corresponding VST OP number stated in this TJ.

Note that the TJ number must be stated in the repair order text.

VST Operation Number

VST Operation Number	Description
35333-3	Tail lamp leak test 1 side
98777-2	Tail Light modification acc. to TJ
35317-2	Tail light assembly 2 pcs. replace

VEHICLE REPORT:

Yes, please submit a Vehicle Report if the service solution described in this TJ has no effect. Use concern area "Vehicle Report" and sub concern area "Support not needed", use function group 3530.

To view TJ attachments continue to next page. This TJ has one attachment.



Volvo Car Customer Service

TJ Instruction VCC-528763-2

Title	Tail lamp	Page	1 (3)
Action	Product fix	Operation number:	98777-2

Issue	Date	Reason
1	2024-07	First issue

Affected vehicles

Model year	Model
2022, 2023, 2024, 2025	EC40 (25-) / C40

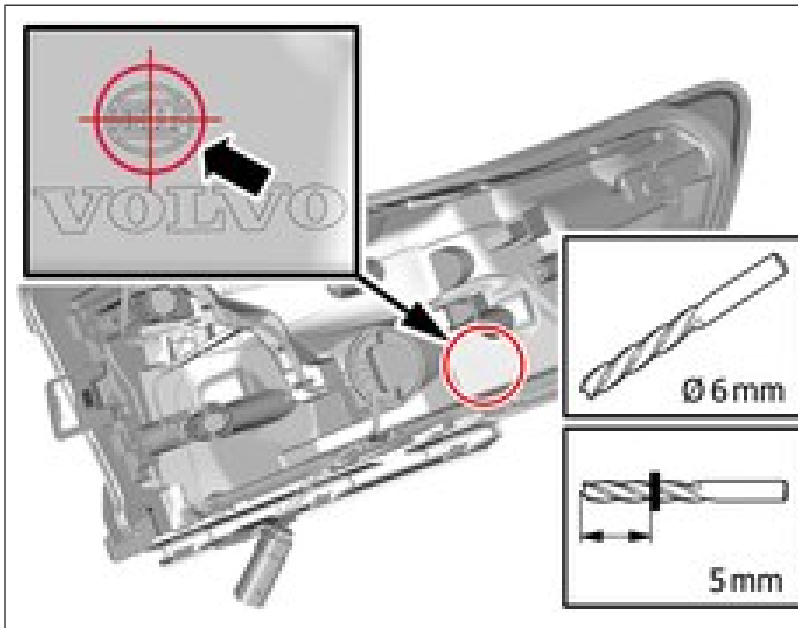
Materials

Materials	Qty.	Part No.	Notes
Isopropanol	1.0		

Equipment

Designation	Part No.
Drilling machine	

Modification



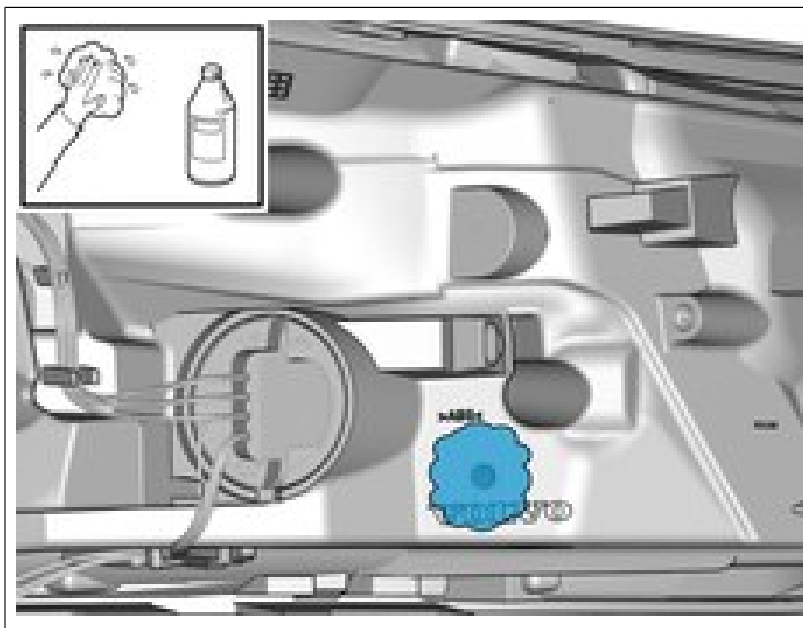
Note! Use Drill bit stopper.

Mark center according to image.

Use: Drilling machine

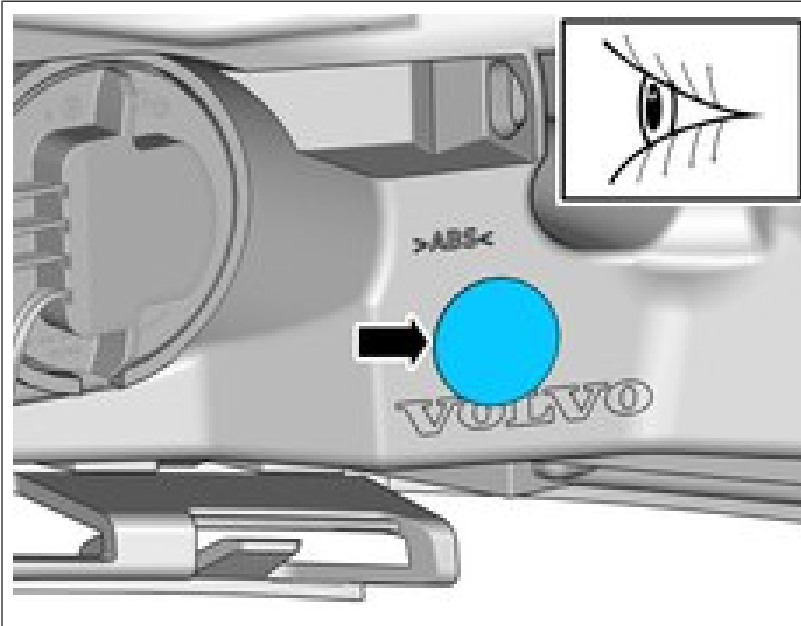
Use a drill with the stated size

Deburr the hole edges.



Clean the marked area.

Use: Isopropanol ,



Caution! Make sure the component is fitted as illustrated.

Install new membrane.