

V O L V O

Volvo Car USA LLC

Technical Journal

Technical Journal Title Outer rear view mirror intermittently not folding		Ref. No. TJ 37000.1.0	
Issuer (Dept.) Technical Service		Issue Date 6/28/24	Status Date 10/14/24
Car Market United States and Canada	Partner 3 US 7510 Volvo Car USA	Function Group 8462	
Function Description Electrical outside mirrors, compl		Page Page 1 of 18	

Attachment

File Name	File Size
TJI-529543-1_1_0_en-US.pdf	1.6420 MB
TJI-529543-2_1_0_en-US.pdf	2.4063 MB

DESCRIPTION:

If customer complains about outer rear view mirror intermittently not folding/unfolding follow advice under "Service".

CSC Customer Symptom Codes

Code	Description
3I	Door mirrors/Folding does not work
SM	Door mirrors/Electrical adjustment does not work
XP	Door mirrors/Folding does not work

DTC Diagnostic Trouble Codes

Vehicle Type

Type	Eng	Eng Desc	Sales	Body	Gear	Steer	Model Year	Plant	Chassis range	Struc Week Range
224							2019-9999		-	201835-999952
225							2019-9999		-	201817-999952
227							2019-9999		-	201846-999952
234							2017-2017		-	201617-999952
235							2017-9999		-	201624-999952
236							2017-9999		-	201646-999952
238							2017-9999		-	201646-999952
246							2018-9999		-	201717-999952
256							2016-9999		-	201505-999952
536							2019-9999		-	201746-999952
539							2022-9999		-	202139-999952

Technical Journal 37000.1.0

SERVICE:

Before replacing any parts, start by fault tracing according to attached instruction.

For SPA1, use attachment TJI-529543-1_1_0_en-US.pdf

For CMA, use attachment TJI-529543-2_1_0_en-US.pdf

If replacing the terminals, use the highest quality as possible such as Gold or Tin if available.

Warranty claim info:

To get a warranty claim accepted for a job described in this TJ, use the corresponding VST OP number stated in this TJ.

Note that the TJ number must be stated in the repair order text.

VST Operation Number

VST Operation Number	Description
98586-2	Cable harness, check measurement acc to TJ

VEHICLE REPORT:

Yes, please submit a Vehicle Report if the service solution described in this TJ has no effect. Use concern area "Vehicle Report" and sub concern area "Support not needed", use function group 8462.

To view TJ attachments continue to next page. This TJ has two attachments.



Volvo Car Customer Service

TJ Instruction VCC-529543-1

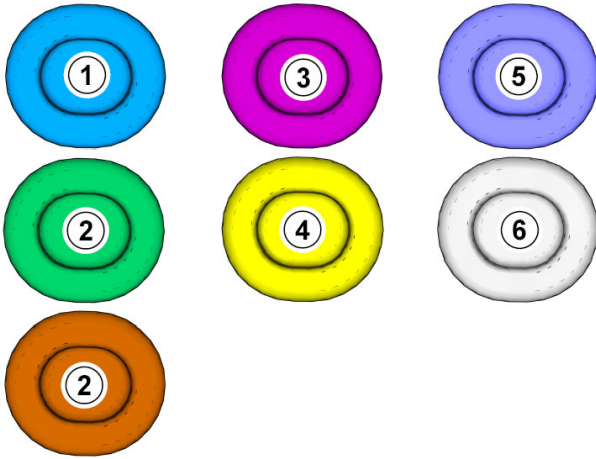
Title	External mirror	Page	1 (7)
Action	Product fix	Operation number:	98586-2

Issue	Date	Reason
1	2024-06	First issue

Affected vehicles

Model year	Model
2019, 2020, 2021, 2022, 2023, 2024, 2025	S60 (19-)
2017, 2018, 2019, 2020, 2021, 2022, 2023, 2024	S90 (17-)
2017, 2018, 2019, 2020, 2021, 2022, 2023, 2024, 2025	S90L
2019, 2020, 2021, 2022, 2023, 2024, 2025	V60 (19-)
2019, 2020, 2021, 2022, 2023, 2024, 2025	V60 Cross Country (19-)
2017, 2018, 2019, 2020, 2021, 2022, 2023, 2024, 2025	V90 (17-)
2017, 2018, 2019, 2020, 2021, 2022, 2023, 2024, 2025	V90 Cross Country
2018, 2019, 2020, 2021, 2022, 2023, 2024, 2025	XC60 (18-)
2016, 2017, 2018, 2019, 2020, 2021, 2022, 2023, 2024, 2025	XC90 (16-)

Color symbols



Note! This colour chart displays (in colour print and electronic version) the importance of the different colours used in the images of the method steps.

- 1 . Used for focused component, the component with which you will do something.
- 2 . Used as extra colors when you need to show or differentiate additional parts.
- 3 . Used for attachments that are to be removed/installed. May be screws, clips, connectors, etc.
- 4 . Used when the component is not fully removed from the vehicle but only hung to the side.
- 5 . Used for standard tools and special tools.
- 6 . Used as background color for vehicle components.

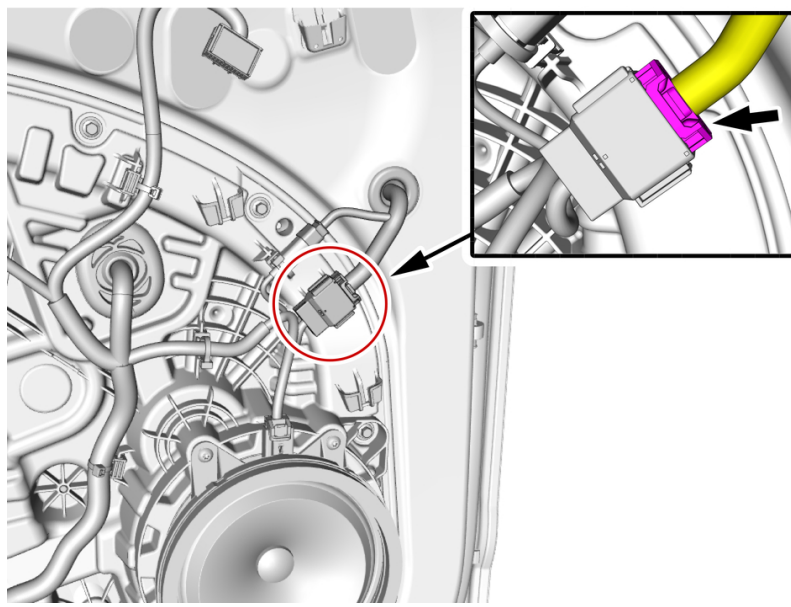
Removal



Loosen the component indicated. Do not remove it.
Fold marked part aside.

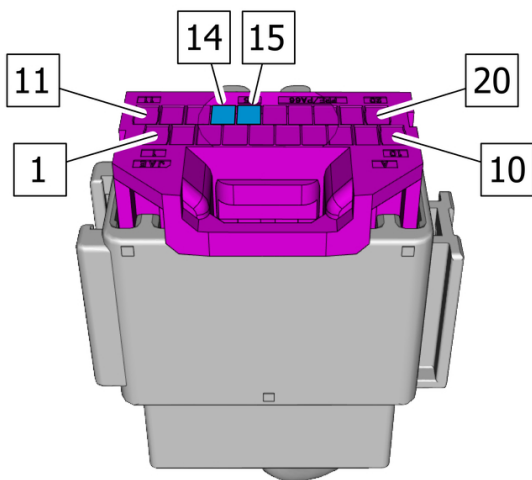
Caution! Do not disconnect the connector during troubleshooting!

Loosen panel front door , refer to:
 Removal, replacement and installation
 8 - Body and interior
 85 - Interior
 851 - upholstery for wall/door, side, rear shelf, luggage rack

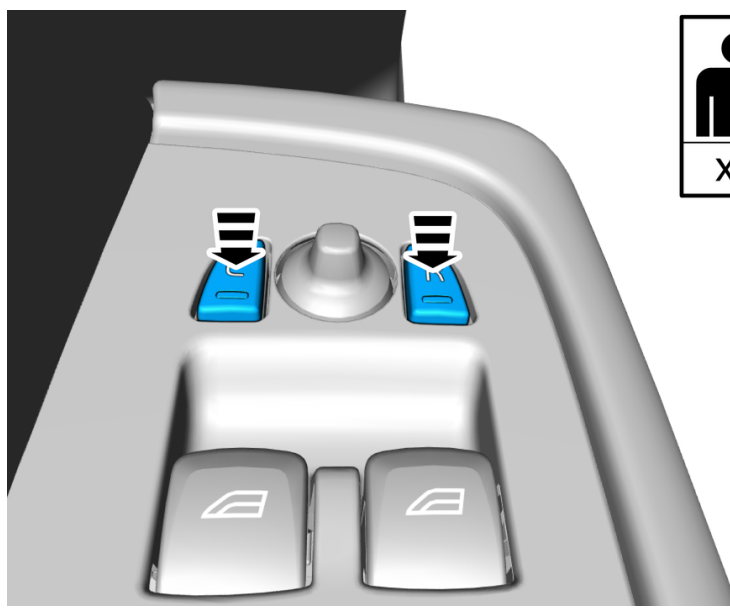


Note! Orientation view

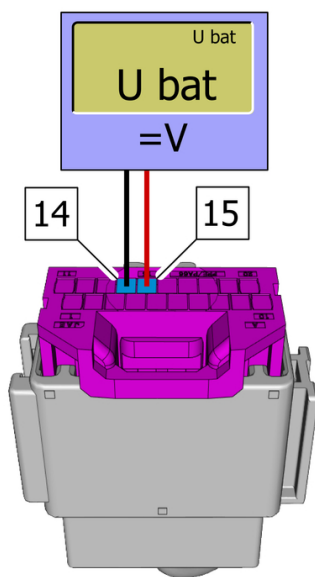
Note! Orientation view



Set the vehicle to Active mode, described in usage mode , refer to:
 General Information
 3 - Electrical system
 30 - General
 300 - general

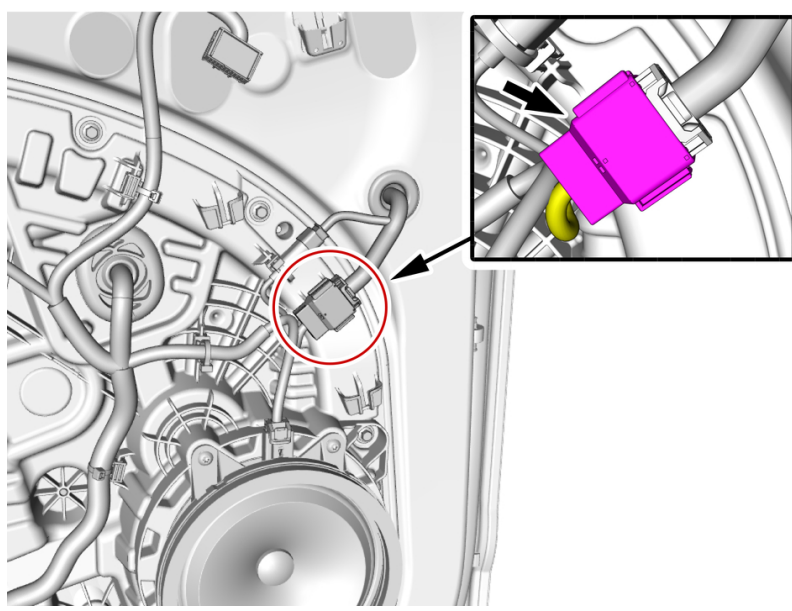


Request the aid of a colleague for this procedure.
Activate the feature.

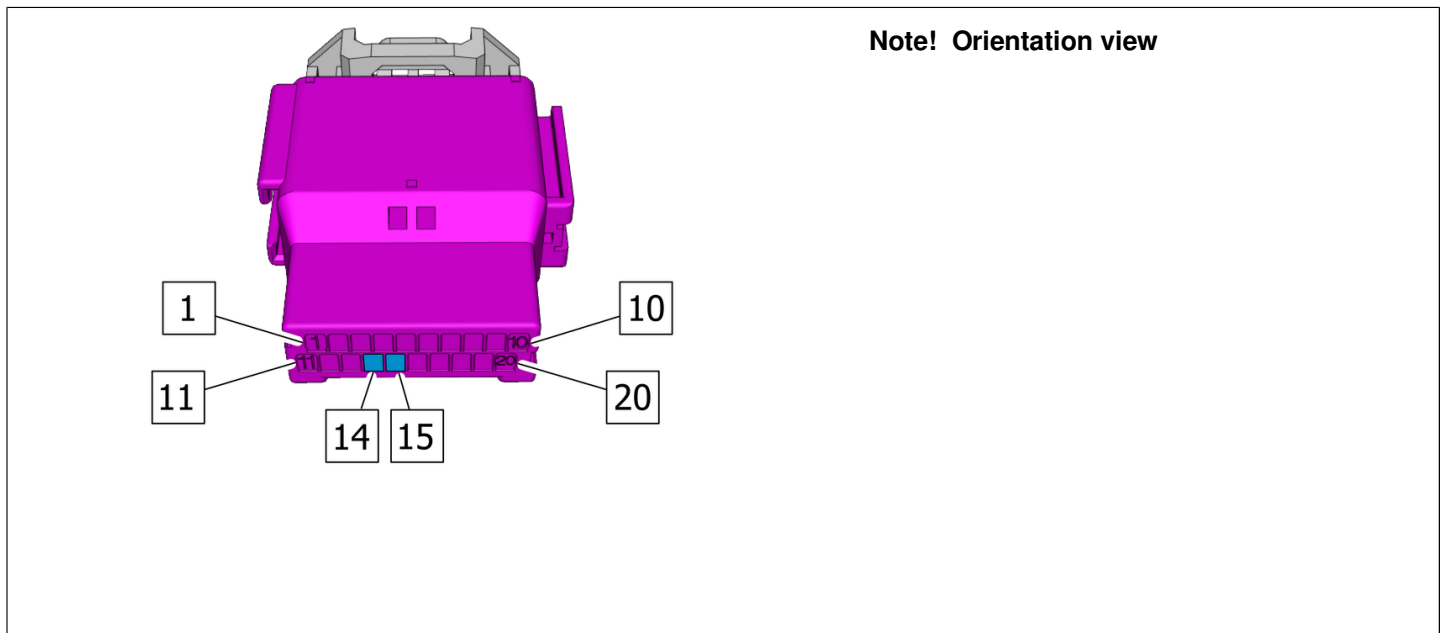


Measure the battery voltage.

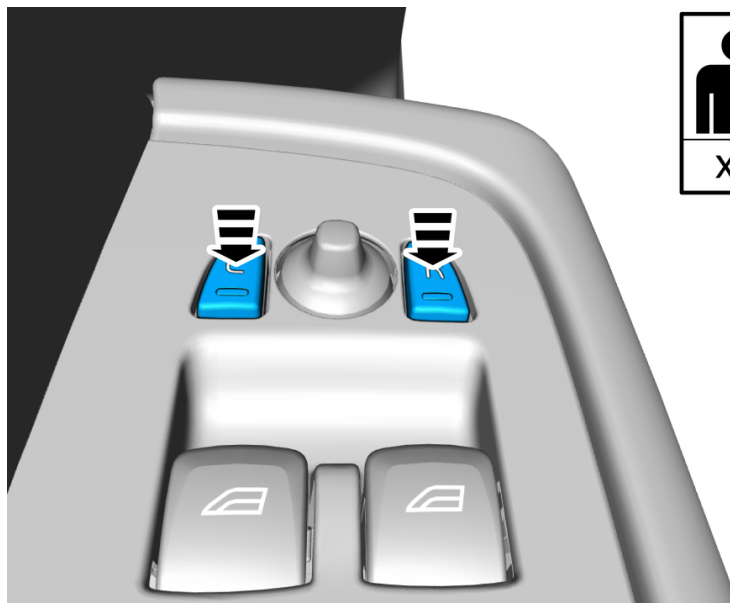
- 1 . If battery voltage is present, perform troubleshooting on the external mirror and its wiring.
- 2 . If battery voltage is missing, continue troubleshooting by following the steps below:



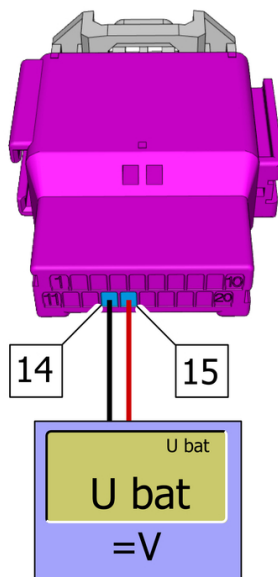
Note! Orientation view



Note! Orientation view



Request the aid of a colleague for this procedure.
Activate the feature.



Measure the battery voltage.

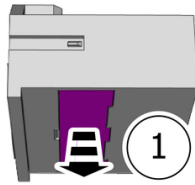
- 1 . If battery voltage is missing, continue troubleshooting the DDM/PDM and its wiring.
- 2 . If battery voltage is present, replace the affected terminals.

Follow the action information below.

Reconditioning

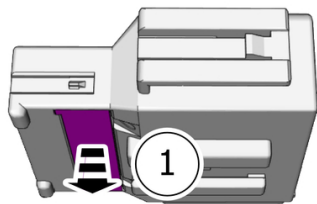
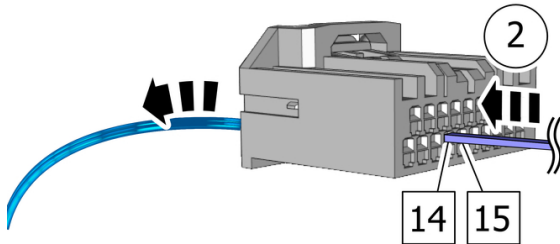
See information on tools for connectors , refer to:

- Specifications, mechanical
- 3 - Electrical system
- 37 - Cables and fuses
- 371 - cables



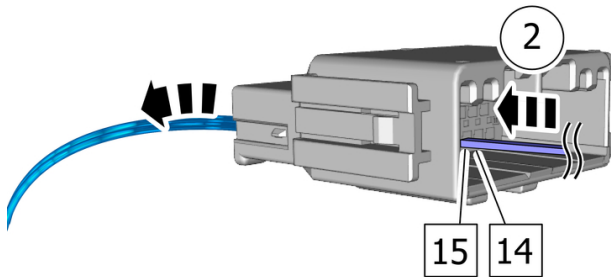
Caution! Only use the specified special tool.

Disconnect terminals from the connector, following the graphic.
Pull the wiring through.



Caution! Only use the specified special tool.

Disconnect terminals from the connector, following the graphic.
Pull the wiring through.



Installation

Reinstall the removed parts in reverse order.



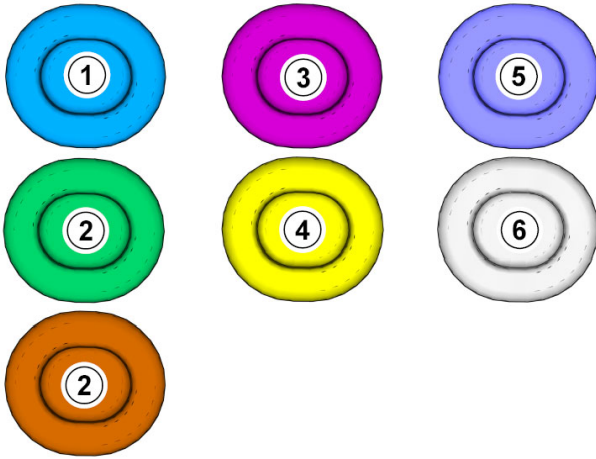
Volvo Car Customer Service

TJ Instruction VCC-529543-2

Title	External mirror	Page	1 (9)
Action	Product fix	Operation number:	98586-2

Issue	Date	Reason
1	2024-06	First issue

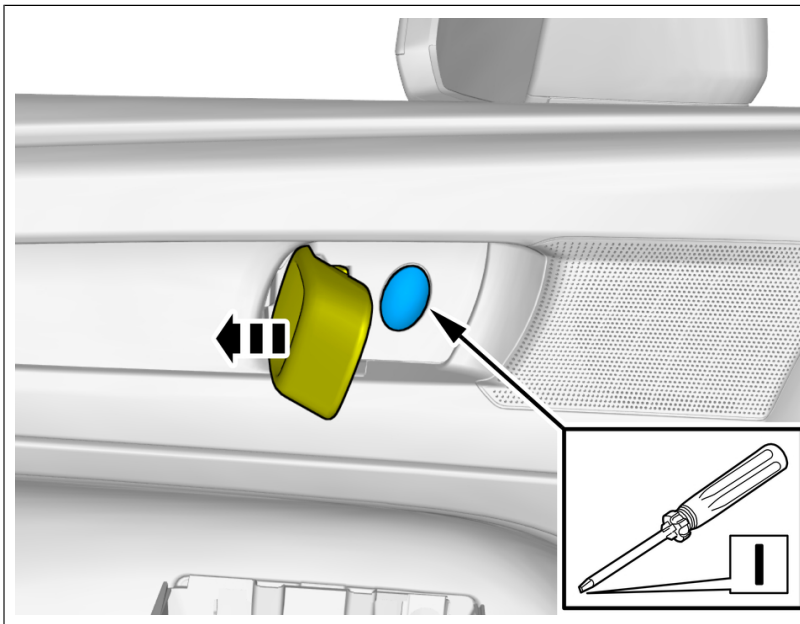
Color symbols



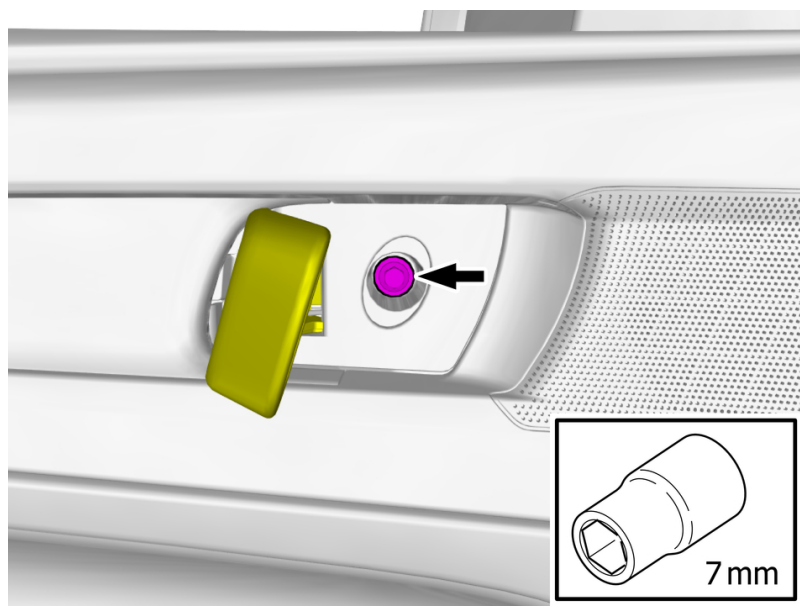
Note! This colour chart displays (in colour print and electronic version) the importance of the different colours used in the images of the method steps.

- 1 . Used for focused component, the component with which you will do something.
- 2 . Used as extra colors when you need to show or differentiate additional parts.
- 3 . Used for attachments that are to be removed/installed. May be screws, clips, connectors, etc.
- 4 . Used when the component is not fully removed from the vehicle but only hung to the side.
- 5 . Used for standard tools and special tools.
- 6 . Used as background color for vehicle components.

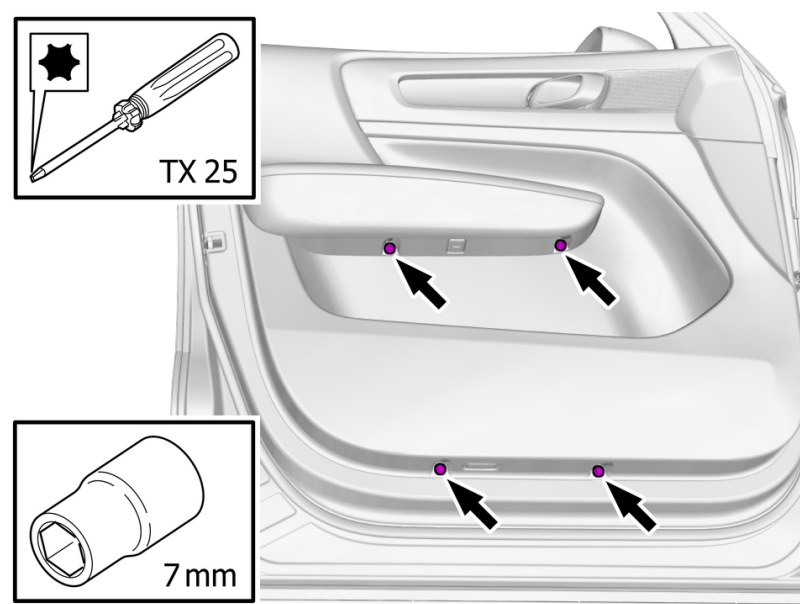
Removal



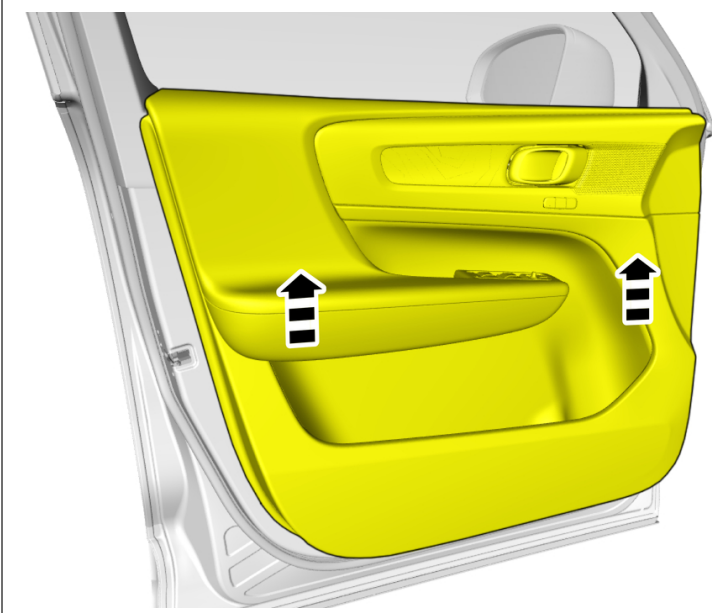
Remove the marked part.



Remove the screw.



Remove the screws.

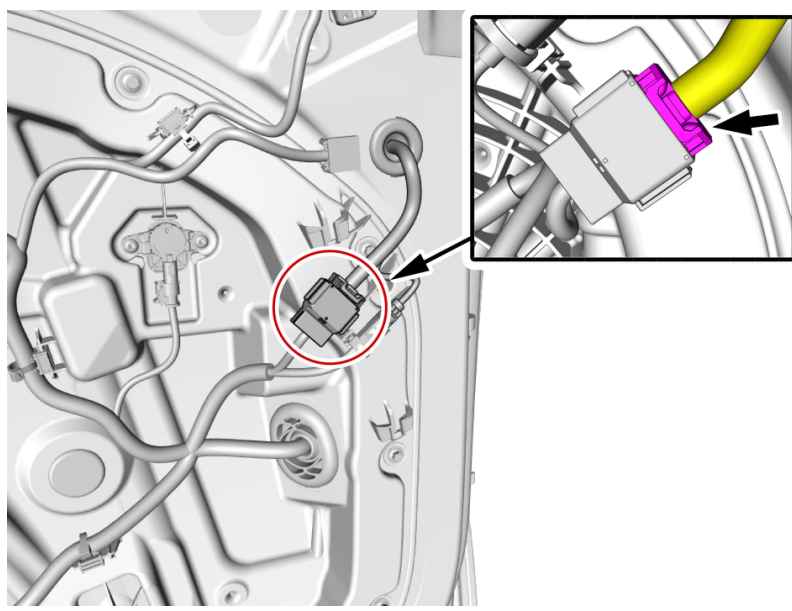


Loosen the component indicated. Do not remove it.



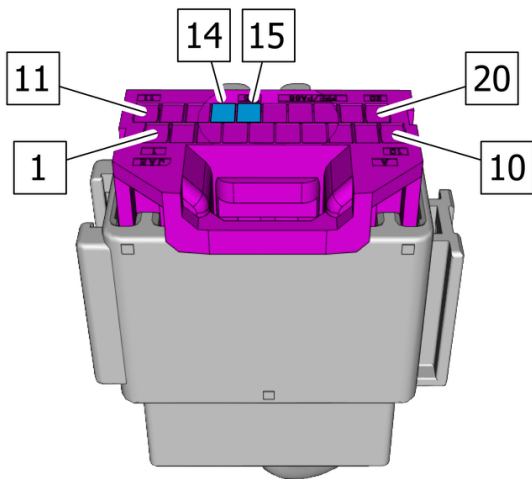
Fold marked part aside.

Caution! Do not disconnect the connector during troubleshooting!



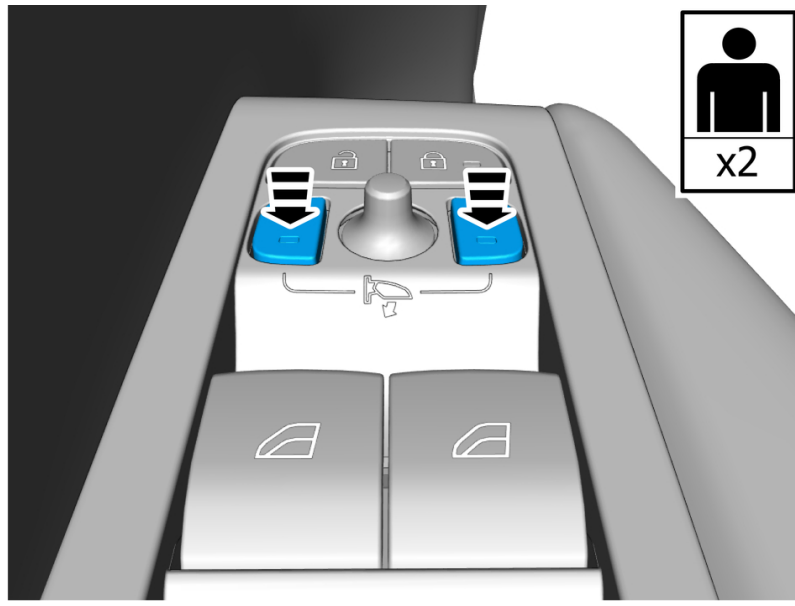
Note! Orientation view

Note! Orientation view

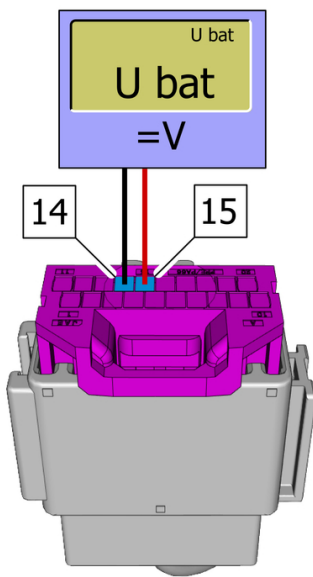


Set the vehicle to Active mode, described in usage mode , refer to:

- General Information
- 3 - Electrical system
- 30 - General
- 300 - general

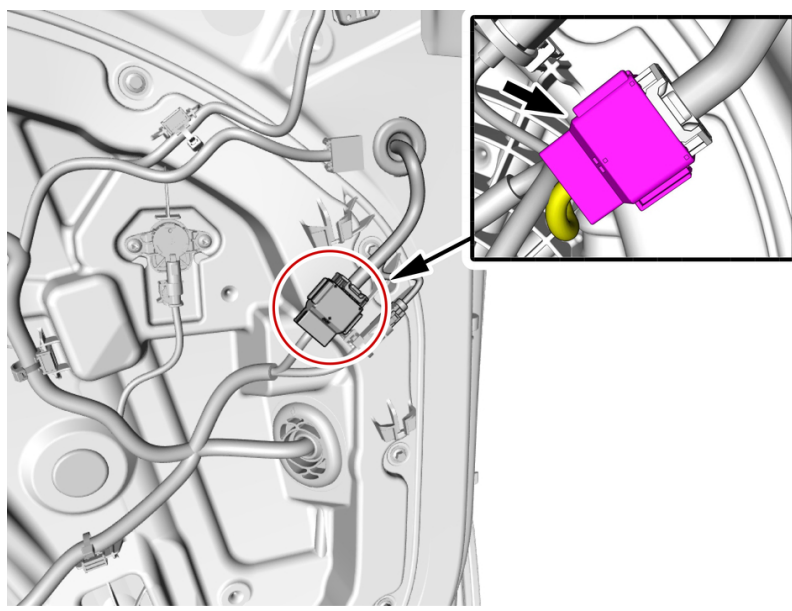


Request the aid of a colleague for this procedure.
Activate the feature.

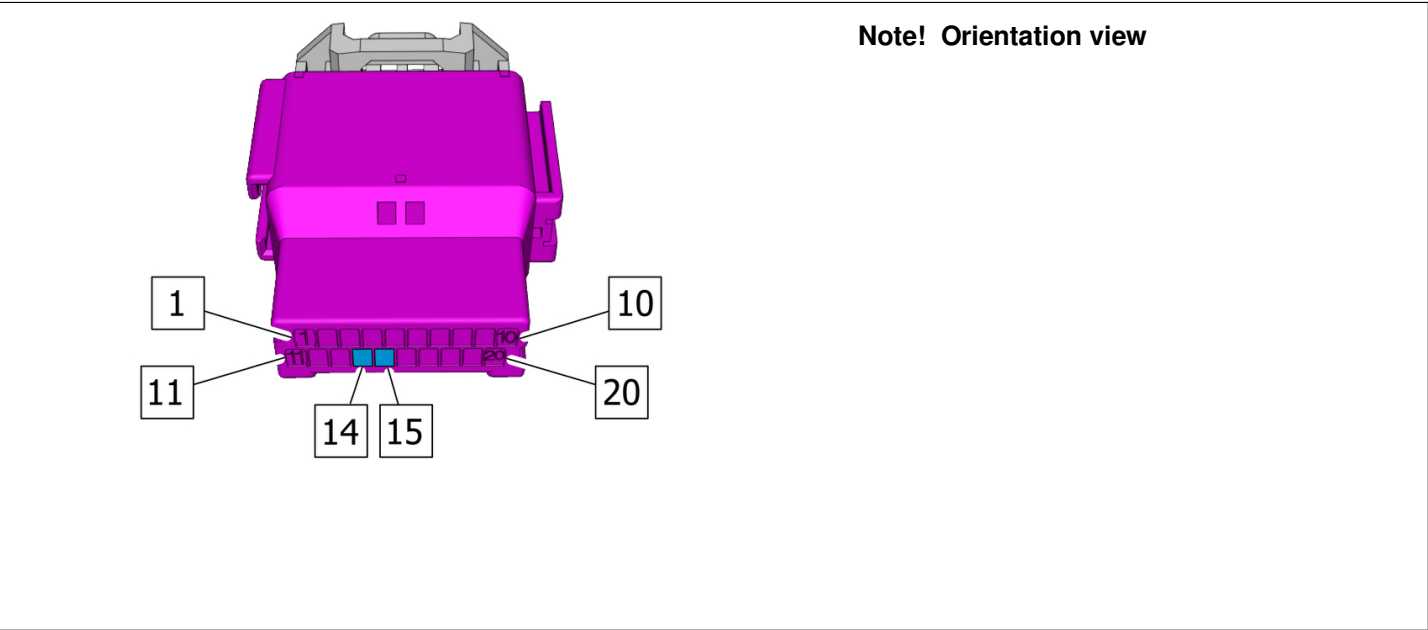


Measure the battery voltage.

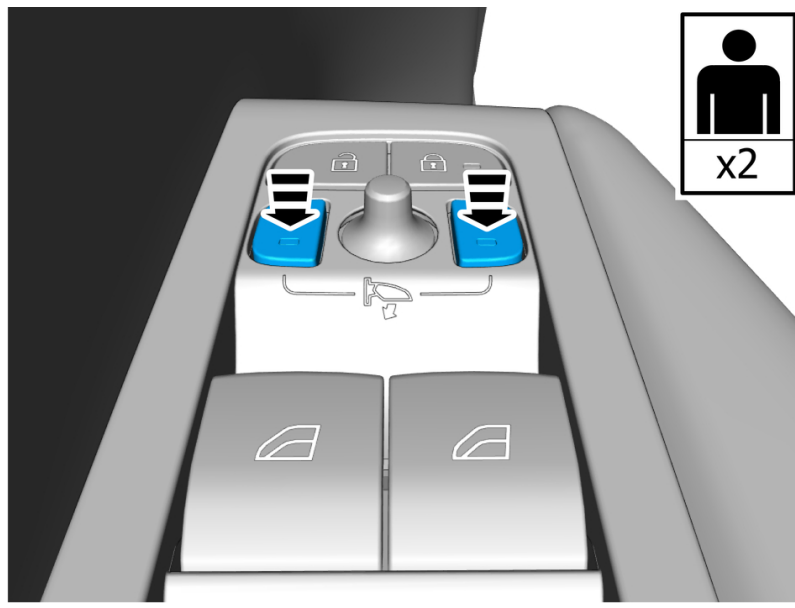
- 1 . If battery voltage is present, perform troubleshooting on the external mirror and its wiring.
- 2 . If battery voltage is missing, continue troubleshooting by following the steps below:



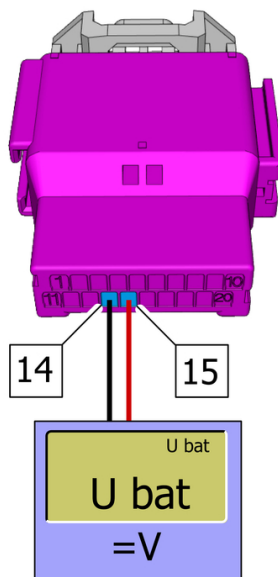
Note! Orientation view



Note! Orientation view



Request the aid of a colleague for this procedure.
Activate the feature.



Measure the battery voltage.

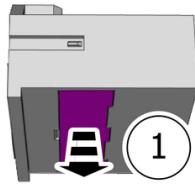
- 1 . If battery voltage is missing, continue troubleshooting the DDM/PDM and its wiring.
- 2 . If battery voltage is present, replace the affected terminals.

Follow the action information below.

Reconditioning

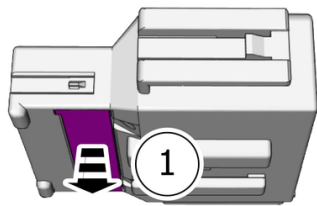
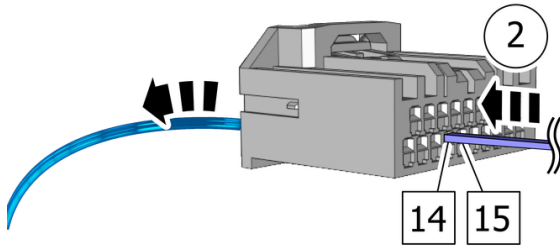
See information on tools for connectors , refer to:

- Specifications, mechanical
- 3 - Electrical system
- 37 - Cables and fuses
- 371 - cables



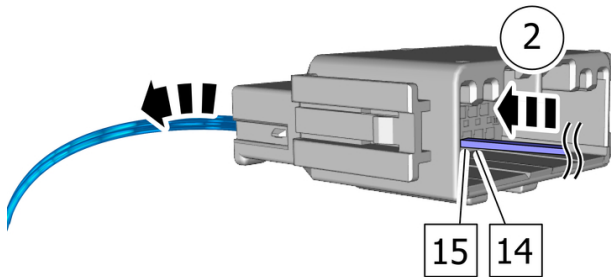
Caution! Only use the specified special tool.

Disconnect terminals from the connector, following the graphic.
Pull the wiring through.



Caution! Only use the specified special tool.

Disconnect terminals from the connector, following the graphic.
Pull the wiring through.



Installation

Reinstall the removed parts in reverse order.