

Technical Journal

TITLE:

Howling Noise from the EFAD

REF NO: TJ 37001.2.0	ISSUING DEPARTMENT: Technical Service	CAR MARKET: United States and Canada	
PARTNER: 3 US 7515 Polestar		ISSUE DATE: 2024-10-22	STATUS DATE: 2024-10-30
FUNC GROUP: 4631	FUNC DESC: Electrical front axis drive	Page 1 of 9	

Attachment

File Name	File Size
TJI-529668-3_1_2_en-US.pdf	2.2055 MB

Rows beginning with * are modified

Note! If using a printed copy of this Technical Journal, first check for the latest online version.

DESCRIPTION:

* Updated oil amount in attachment TJI-529668-3_1_2-US.pdf.

If a customer experiences a howling noise from the EFAD when driving at low speeds while at full steering angle (please listen to the attached video file TJ_37001_1.MOV as a reference), follow the advice under "Service".

EFAD= Electrical Front Axis Drive

CSC Customer Symptom Codes

Code	Description
8N	Driving/Unusual noise/Unsure when/at all times
F2	Driving/Unusual noise/During acceleration
D2	Front/rear axle/Unusual noise

DTC Diagnostic Trouble Codes

Technical Journal 37001.2.0

Vehicle Type

Type	Eng	Eng Desc	Sales	Body	Gear	Steer	Model Year	Plant	Chassis range	Struc Week Range
359							2025-2025	36	0000634-0000848	202402-202405

SERVICE:

Please follow the instructions attached to this journal (TJI-529668-3_1_0_en-US.pdf).

This journal is only valid for vehicles within the specified chassis range.

Parts to order: Oil - 32439185 and Expanding Ring - 32240559.

Warranty claim info:

To get a warranty claim accepted for the job described in this TJ, use the VST OP number below.

Note that the TJ number must be stated in the repair order text.

VST Operation Number

VST Operation Number	Description
98498-2	Oil EFAD replace acc. to TJ

LABOR TIME:

Labor time subject to change without notice.

VEHICLE REPORT:

Yes, please submit a Vehicle Report if the service solution described in this TJ has no effect. Use concern area "Polestar Vehicle Report" and sub-concern area "Support Needed Polestar", use function group 4631.

To view TJ attachment continue to next page. This TJ has one attachment.

TJ Instruction VCC-529668-3

Title	Oil EFAD	Page	1 (7)
Action	Adjustment	Operation number:	98498-2

Issue	Date	Reason
1	2024-06	First issue

Affected vehicles

Model year	Model
2024	Polestar 3

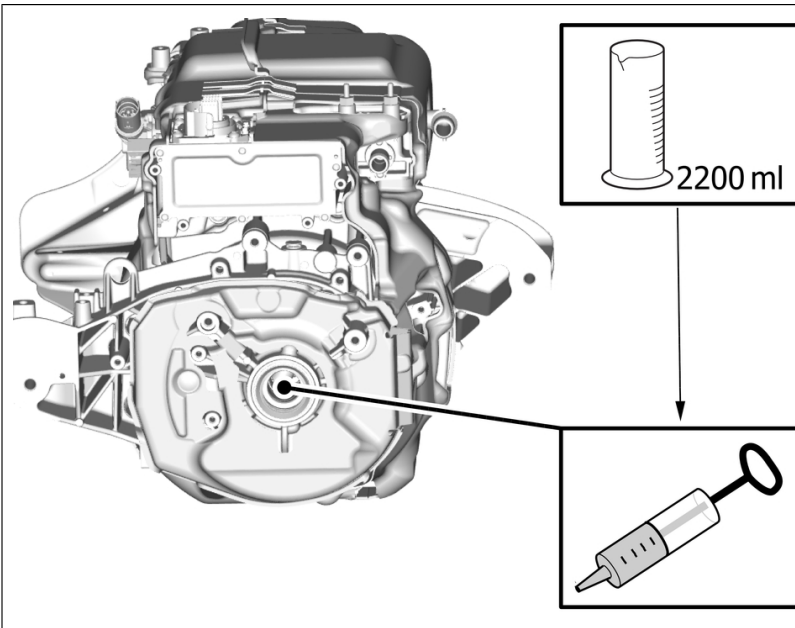
Special tools

Description	Part No.
Oil gun	999 7408

Removal

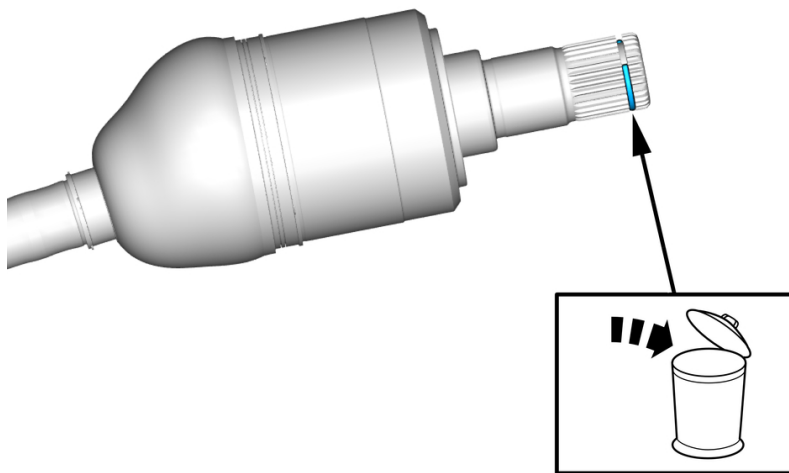
Remove left-hand drive shaft , refer to:
Removal, replacement and installation
4 - Power transmission
46 - Rear axle, drive shafts
466 - drive shaft, constant velocity joint,
drive shaft gear

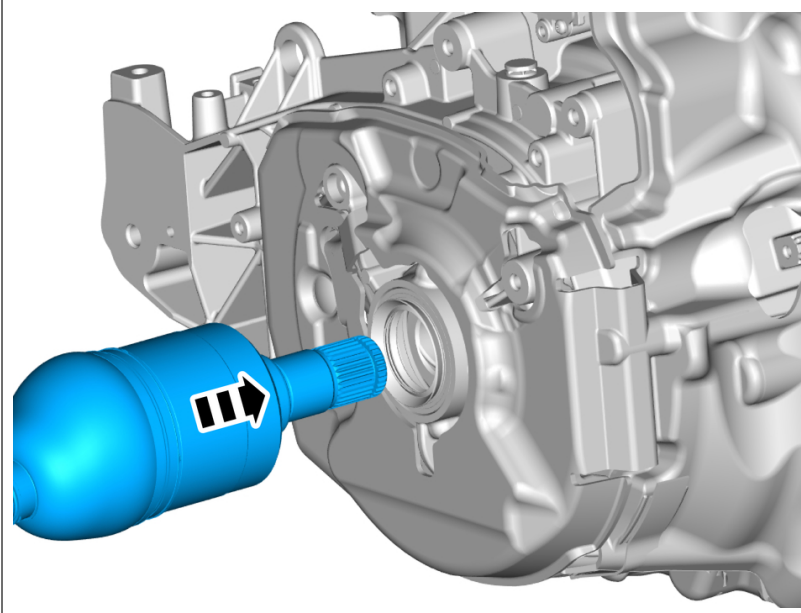
Filling



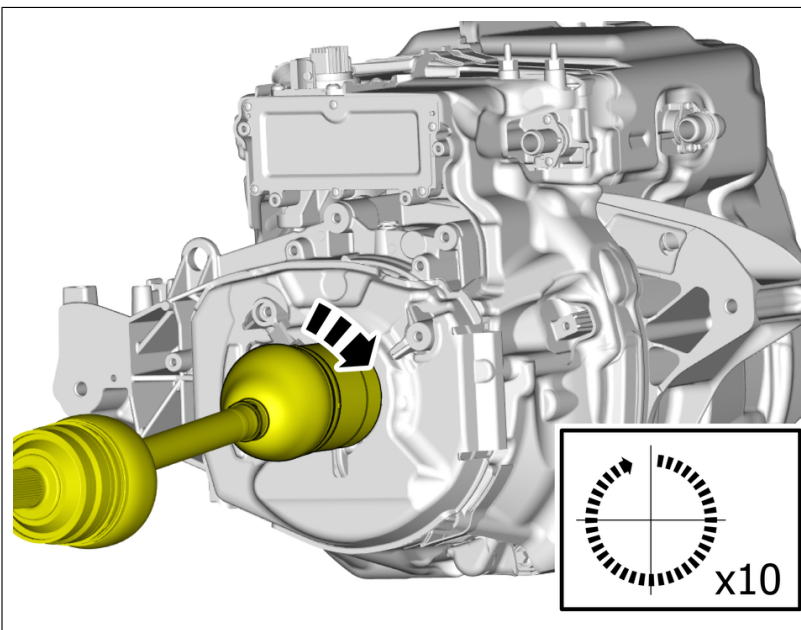
Special Tool: T9997408, Oil gun

Remove the marked part.

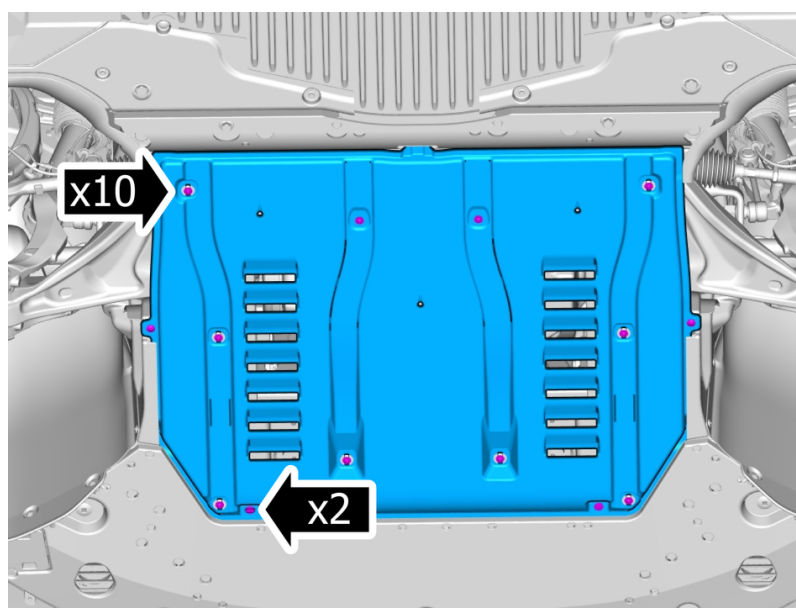




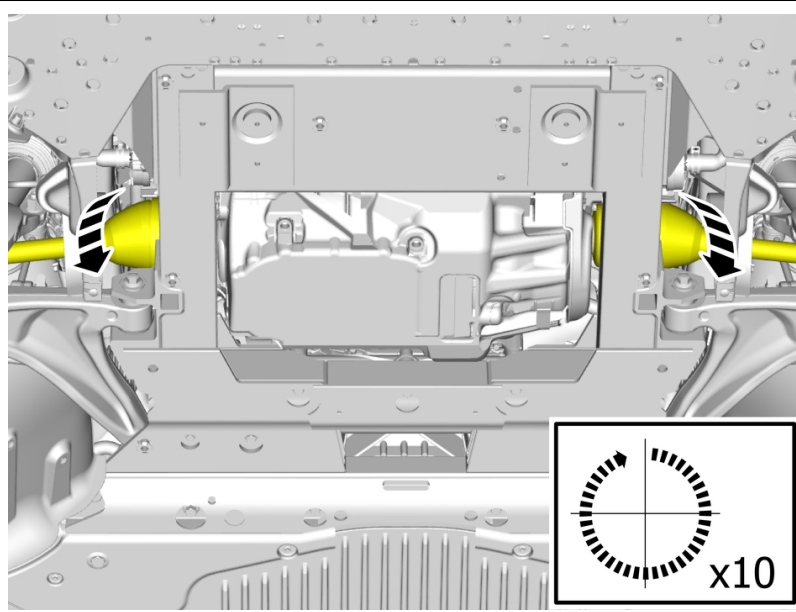
Install the marked component.



Rotate marked component according to image.

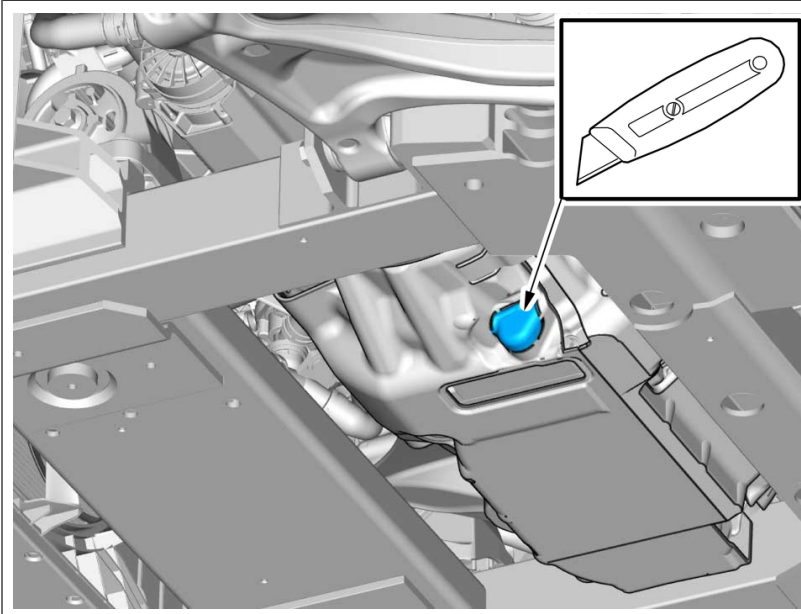


Remove the screws.
Loosen the clips.
Remove the marked part.



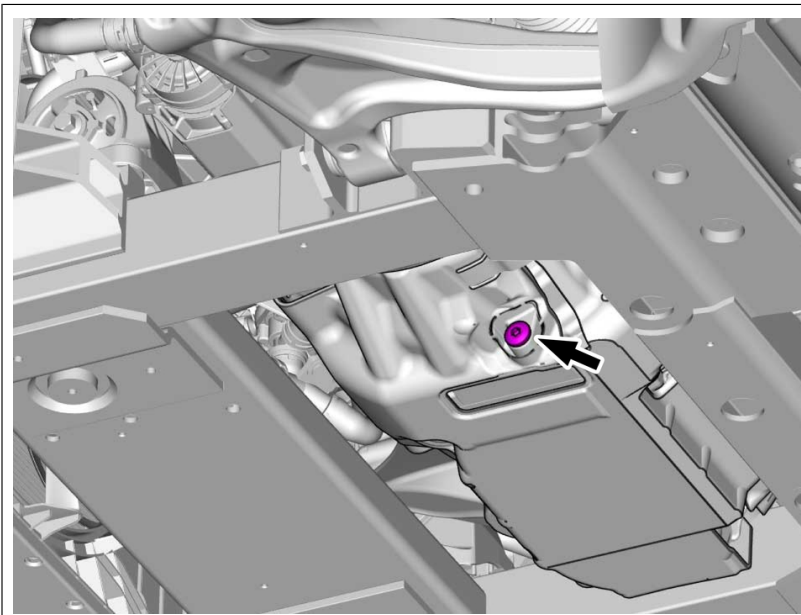
Rotate marked component according to image.

Draining



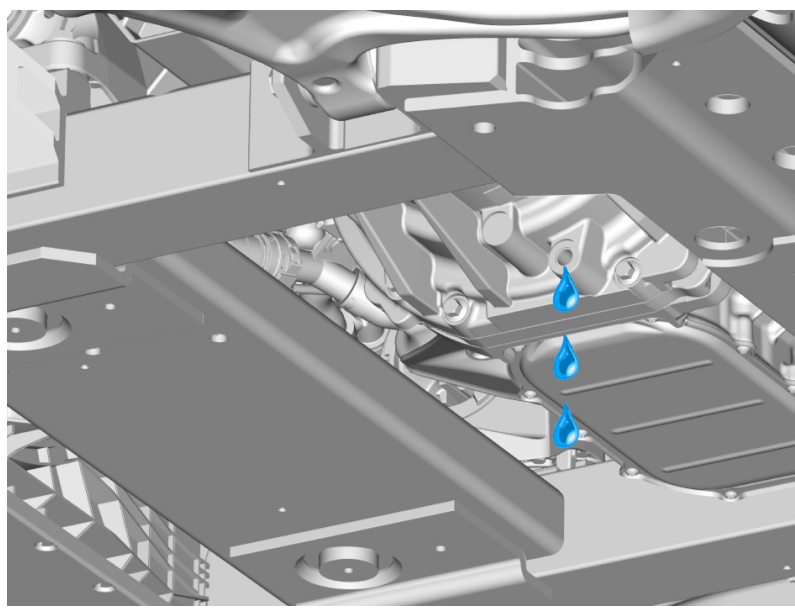
Caution! Cut carefully to avoid unintentional damage or personal injury.

Caution! Make sure that the cutout does not exceed the marking.



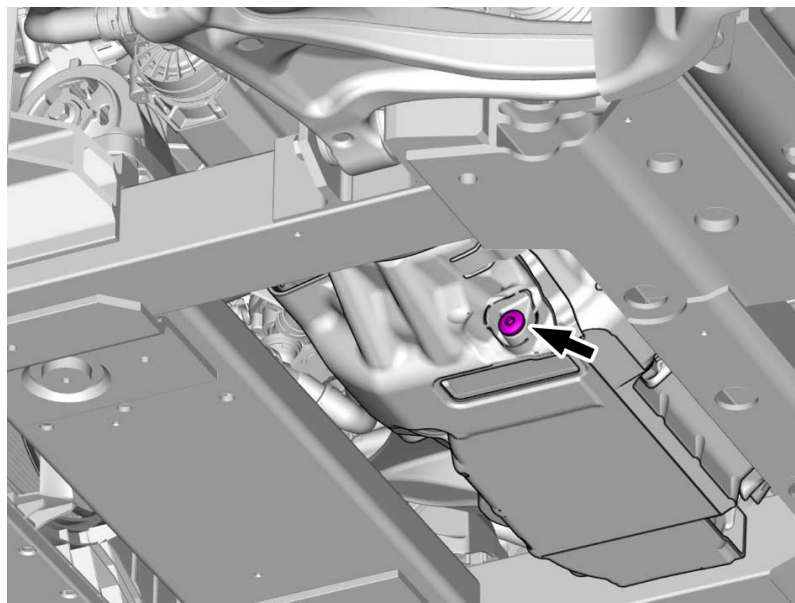
Warning! Be prepared to collect escaping fluid.

Remove the screw.



Warning! Be prepared to collect escaping fluid.

Caution! The fluid must be allowed to escape until a continuous flow changes into single drops.

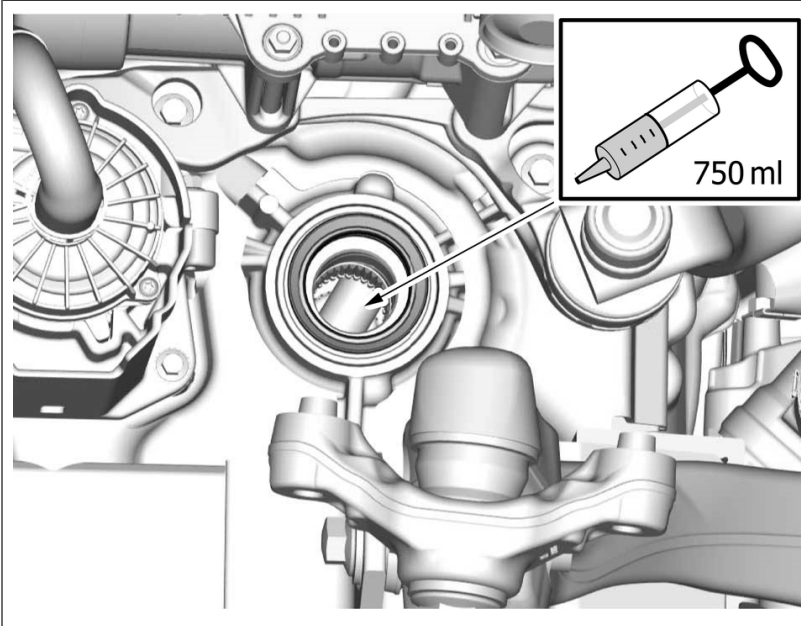


Install the screw.

Torque:

EFAD oil drain plug , 20 Nm

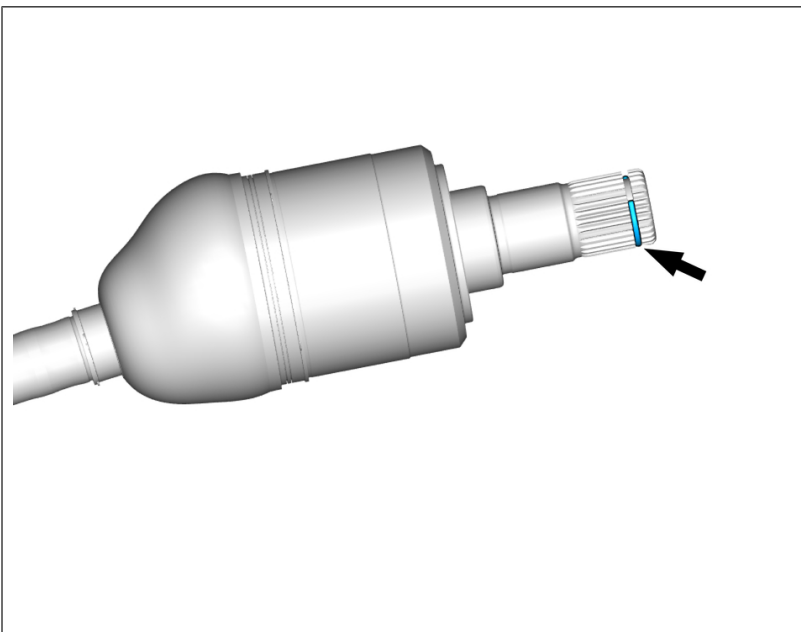
Filling



Warning! Be prepared to collect escaping fluid.

Special Tool: T9997408, Oil gun

Installation



Make sure to replace the marked component with a new.

Reinstall the removed parts in reverse order.