

# NON-COMPLIANCE RECALL

Volvo Trucks North America

Greensboro, NC USA

---

Date	Number	Release	Page
05.2024	EC0032	03	1(6)

## M0308 SCR Replacement 13L VGT VAH, VHD, VN

### RECALL INFORMATION

**Revised 10/25/2024 Gasket 22677399 Changed to 21376801**

(May 2024)

Volvo Trucks has identified that the Selective Catalyst Reduction (SCR) system in certain vehicles equipped with the MY 2017 or 2018 (13L VGT) engine are not meeting California and EPA emissions standards, or Volvo cannot confirm its compliance. These vehicles have been flagged due to telematics data showing that the NOx conversion efficiency of the SCR system has dropped below 94% for eight weeks. Alternatively, these vehicles may have communication issues with telematics, such as not reporting or ceasing reporting for the same period.

To ensure Volvo remains emission compliant on these vehicles, follow the repair instructions outlined in this document to replace the Selective Catalyst Reduction (SCR) system with new one.

### VEHICLES AFFECTED

Certain Volvo vehicles manufactured between September 28, 2016, and September 7, 2018.

### VEHICLE QUANTITY

This Vin list will be dynamic, VIN's will be added to the VIN list in 8-week cycles based on monitoring from Recall M0306.

### Parts Information

The SCR Muffler should be ordered VOR, all other parts should be ordered through normal process.

Part Number	Description	Quantity
23160668	SCR Muffler	1
23108406	Clamping band kit	1
21376801	Gasket	1
990413	Screw	3
21095726	Gasket	3
21095721	Gasket	1

#### Important Parts Note!

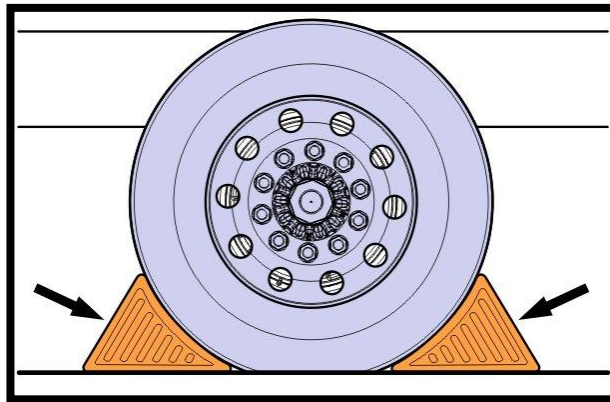
Please dispose of the SCR Muffler following the normal process.

### Repair Instructions

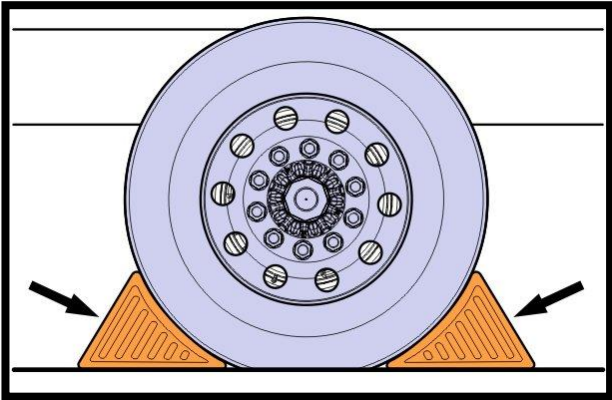
#### Important Service Note!

Before replacing the SCR Muffler under this recall, you must verify that **M0306 Software Recall** has been completed. If **M0306 Software Recall** has not been completed, it must be done first.

1. Park the vehicle on a level surface.
2. Apply the parking brake.
3. Place the gear lever in neutral.
4. Install wheel chocks.



5. Follow Impact operation **2586-03-02-10 Muffler, Replacement (Combined DOC, DPF, SCR) Decontented** to replace the SCR with a new SCR muffler.
6. Install and fill out the Campaign Completion Label if needed.
7. Remove the wheel chocks.



8. Release vehicle to customer.



**Important Note!**

If needed, print out this Emission Recall Proof of Correction Certificate. Fill in the appropriate information for your records and provide a copy to the customer.

**Vehicle Emissions Recall - Proof of Correction**

License Number	Make	Year Model	Year Model	Vehicle Identification Number

Manufacturer: \_\_\_\_\_ Recall Number: \_\_\_\_\_

The above described vehicle has been repaired, modified to address the Emissions Related Recall that is listed above.

Dealer's \_\_\_\_\_ Address, City, State \_\_\_\_\_

Dealer's Authorized Signature \_\_\_\_\_

**X** \_\_\_\_\_

Return this certificate to DMV only when required - otherwise retain for your records.

## REIMBURSEMENT

This repair is covered by an authorized Non-Compliance recall. Reimbursement is obtained through the normal claim handling process.	
	<b>UCHP Reimbursement</b>
<b>Claim Type</b> (used only when uploading from the Dealer Business System)	40
<b>Recall Status</b>	
Vehicle repaired per instructions	1-Modified per instructions
<b>Labor code</b>	
<b>2586-03-02-10 Muffler, Replacement (Combined DOC, DPF, SCR) Decontented</b>	<b>Use Impact</b>
<b>Causal Part</b>	21970120
<b>Authorization Number</b>	M0308

**Note:** Dealers are to perform Non-Compliance Recall on all subject vehicles at no charge to the vehicle owner regardless of mileage, age of vehicle or ownership (original purchaser or subsequent purchasers). Whenever vehicles are subject to a Non-Compliance Recall are brought to your dealership for service, or taken into your dealership vehicle inventory, it is strongly recommended that every effort be made to perform the recall correction before the vehicle is sold or released to the owner.