

NON-COMPLIANCE RECALL

Mack Trucks Inc.
Greensboro, NC USA



Date	Number	Release	Page
10.2024	EC0029	01	1(6)

Incorrect Engine Power Ratings AN, GR, PI, and TE

RECALL INFORMATION

(October 2024)

Mack Trucks has determined that certain vehicles equipped with a model year ("MY") 2022-2024 MP8 model engines, may be equipped with an improper engine software calibration that does not match the engine certification label.

To ensure Mack vehicles stay emission compliant on follow the repair instructions outlined in this document to Program the EECU and install a completion label in the door.

VEHICLES AFFECTED

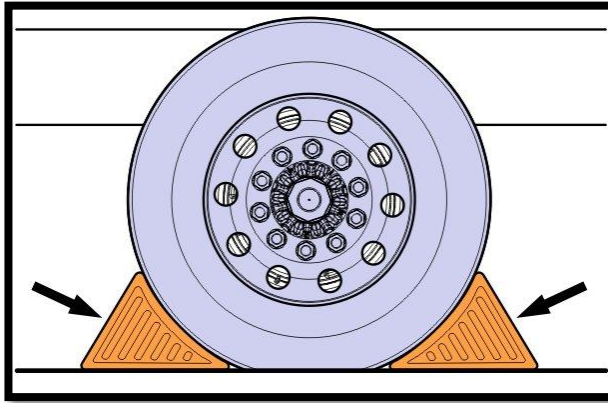
Certain Mack vehicles manufactured between January 5, 2023, and November 20, 2023.

VEHICLE QUANTITY

There are 266 vehicles affected by this recall (203 U.S., 52 Canada, 8 Chile, 3 Colombia).

Repair Instructions

1. Park the vehicle on a level surface.
2. Apply the parking brake.
3. Place the gear lever in neutral.
4. Install wheel chocks.



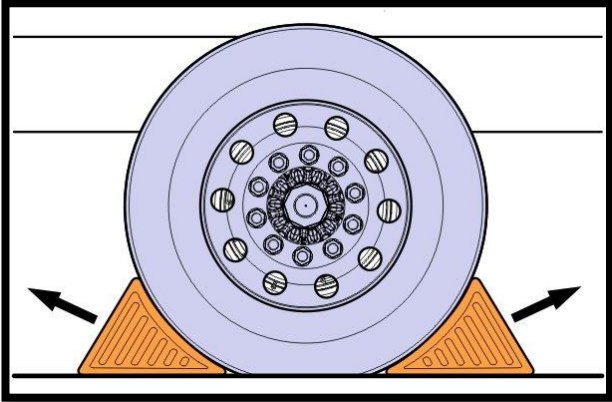
5. Connect the latest version of Premium Tech Tool (PTT) to the Vehicle.
6. After identification is complete, navigate to the program tab within PTT.
7. Program the **Engine Control Module** and **Aftertreatment Control Module** using operation **1700-08-03-39** under the **Program tab**.

Important Note!

If no software is available for the ECM/ACM, then the truck already had the most up-to-date SW installed. Fill out and install the completion label.

8. After programming is complete, clear any DTC's caused by programming.
9. Install and fill out the Campaign Completion Label if needed.

10. Remove the wheel chocks.



11. Release the vehicle to the customer.

Important Note!

If needed, print out this Emission Recall Proof of Correction Certificate. Fill in the appropriate information for your records and provide a copy to the customer.

Vehicle Emissions Recall - Proof of Correction

License Number	Make	Year Model	Year Model	Vehicle Identification Number

Manufacturer: Recall Number:

The above described vehicle has been repaired, modified to address the Emissions Related Recall that is listed above.

Dealer's Address, City, State

Dealer's Authorized Signature

X _____

Return this certificate to DMV only when required - otherwise retain for your records.

REIMBURSEMENT

This repair is covered by an authorized Non-Compliance recall. Reimbursement is obtained through the normal claim handling process.	
	UCHP Reimbursement
Claim Type (used only when uploading from the Dealer Business System)	40
Recall Status	
Vehicle repaired per instructions	1-Modified per instructions
Labor code	
2841-22-02-01 ECM and ACM, Reprogramming	0.4
Causal Part	24366012
Authorization Number	M0296

Note: Dealers are to perform Non-Compliance Recall on all subject vehicles at no charge to the vehicle owner regardless of mileage, age of vehicle or ownership (original purchaser or subsequent purchasers). Whenever vehicles are subject to a Non-Compliance Recall are brought to your dealership for service, or taken into your dealership vehicle inventory, it is strongly recommended that every effort be made to perform the recall correction before the vehicle is sold or released to the owner.