

Bulletin #: AS-63-24		<input type="checkbox"/> Take Note <input checked="" type="checkbox"/> Take Action	
<input type="checkbox"/> Retail Operator	<input type="checkbox"/> Sales Pre-Owned	<input checked="" type="checkbox"/> Business Manager	<input checked="" type="checkbox"/> Parts & Accessories
<input checked="" type="checkbox"/> General Manager	<input type="checkbox"/> Sales New Bike	<input checked="" type="checkbox"/> Service	<input type="checkbox"/> Administration
Name: Alex Martin		Phone Number:	
Title:		Source:	
Email:			
Date: 10/2/2024		Supersedes: -	

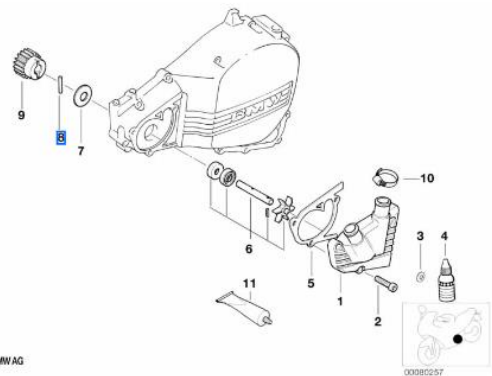
TEC692 ROLL PIN

INSPECT OF ALL PARTS ON STOCK

OVERVIEW

BMW AG has requested the inspection of all dealer stock of the following part number(s) listed below to ensure Roll Pin is the correct size.

Description	Part Number
Roll Pin	11 51 2 343 127

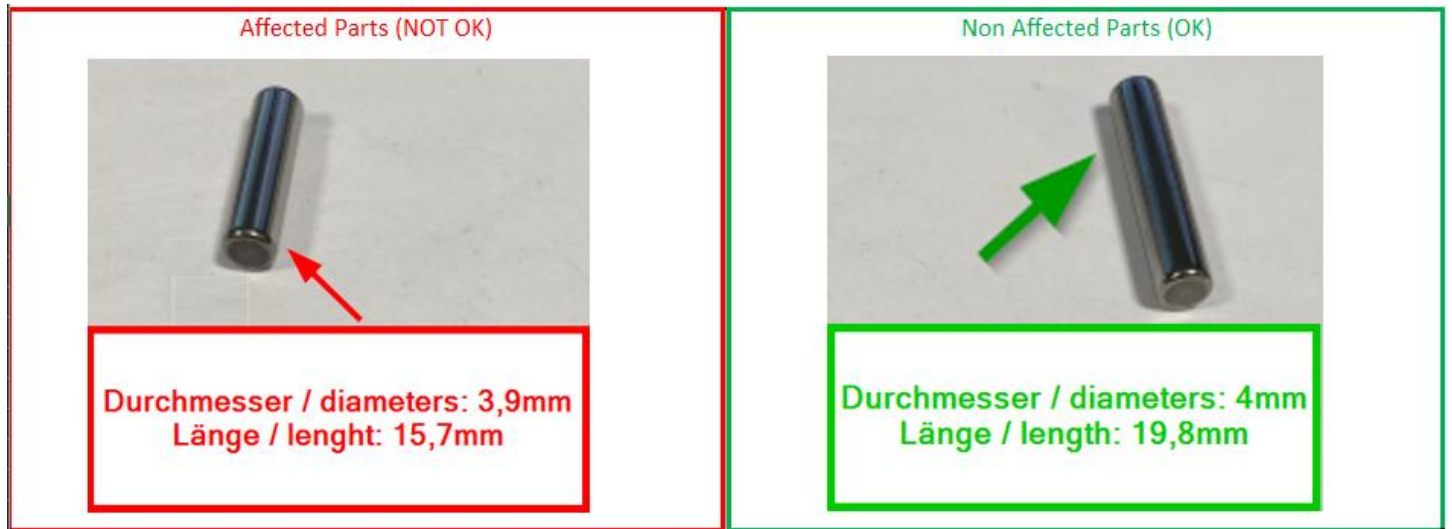


- The image to the right shows the parts as depicted in ETK. Please see below pictures for assistance determining affected stock.
- Remaining stock should not be sold or installed on any vehicle.
- Concerned are all remaining new, spare parts shipped and delivered to date only.
- Please return all incorrect part(s) to your facing Regional Distribution Center (RDC). Submit for return using a YR26 damage claim with order reason BM2. A valid BMW delivery and delivery item number must be entered, and 'TEC692' must appear in the text of your TEC claim.
- For assistance locating the delivery number, please open an IDS ticket with Dealer Services in the Claims section directed to Returns/Claims/Quality.

MAKE LIFE A RIDE

MORE DETAILS

- TEC692 is valid from October 2, 2024, through October 16, 2024. The deadline for filing a claim under TEC692 is October 16, 2024.
- All parts must be returned to your facing RDC no later than October 30, 2024.
- Please re-order the new part as needed.



MORE QUESTIONS?

Material Planning and Parts Logistics Analyst	Alex Martin	Alex.ma.Martin@bmwna.com
Aftersales Marketing Specialist	Adam Sacher	Adam.Sacher@bmwna.com
Aftersales Business Development Manager	Louise Daub	Louise.Daub@bmwna.com

MAKE LIFE A RIDE