



SIB 71 01 24

Service Action: Replace Tire and Emissions Label

2024-10-17

MODEL

Model	Model Description	Model Code
K06	CE-02	0C73

The affected vehicles have been marked with campaign number **0071230000** in AIR.

In order to determine if a specific motorcycle is affected by this campaign, it will be necessary to verify the vehicle VIN in AIR (Aftersales Information Research). Based on the response of the system, either proceed with the repair or take no further action. Please note, open campaigns or vehicle stops may not appear in DCS Warranty Vehicle Inquiry or sales systems until 24-72 hours after they are announced, therefore AIR is always the recommended method for determining open campaigns and vehicle stops.

SITUATION

After a quality inspection it was found that the "Tire" and "Emissions Control" labels contain incorrect data.

The affected vehicles have been placed under the delivery stop **STOP710015** associated with campaign number 0071230000, which will be lifted upon completion of this technical campaign.

PROCEDURE

For vehicles that have not yet been delivered, the service action must be completed before vehicle handover.

In all instances in which the vehicles have already been handed over to customers, the Technical Campaign must be performed at the next workshop visit.

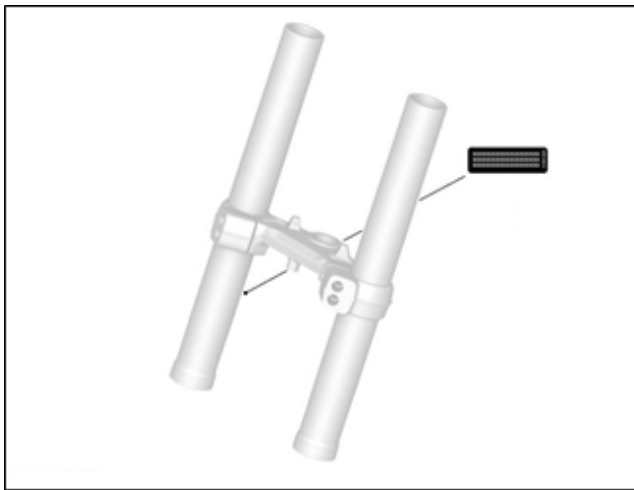
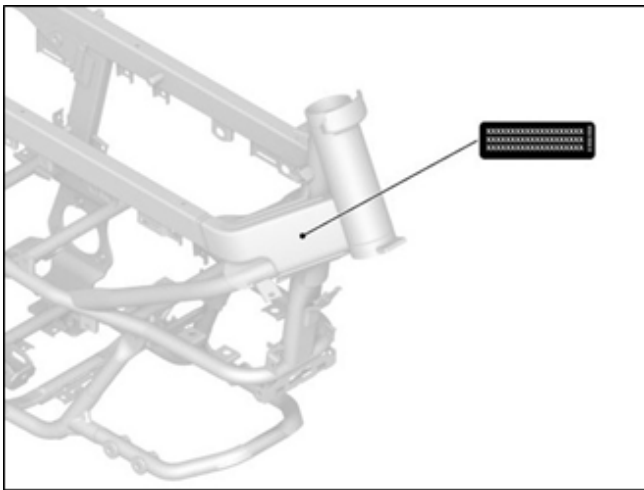
Replacement Tire and Emissions control labels must be adhered to the frame or fork location listed as shown.

NOTICE: The previous label must be removed, and the frame and fork must be carefully cleaned before placing the new labels.

Position for emissions control information label (USA/Canada)

Position for tire label (USA)

Copyright ©2024 MOTORRAD USA, a division of BMW of North America, LLC. All Rights Reserved



**PARTS
INFOR**

MATION

Obtain and confirm the part numbers for your specific vehicle by entering the chassis number in ETK which takes into account specific equipment and/or options.

Additional parts like gaskets, hardware and chemicals may be required for the complete repair.

Part Number

71 24 5 A9C 136	Emissions Control Information Label – USA / Canada
71 24 5 A9C 137	Tire Label – USA ONLY

CLAIM INFORMATION

Please submit claims via the normal claim process using the information below:

Defect code

00 71 23 00 00	Replace Labels
----------------	----------------

Labor Operation

00 60 350	Replace Labels	4 FRU
+00 60 725	Replace Labels	3 FRU

FRUs includes all repair procedures to complete the task with allowance for necessary ancillary tasks (e.g., visual inspection, lubrication, cleaning parts etc.) and administrative tasks.

Labor operation code 00 60 350 is a Main labor operation. If you are using a Main labor code for another repair, use the Plus code labor operation instead.

QUESTIONS REGARDING THIS BULLETIN

Technical inquiries	Contact the BMW Technical Support Group via TSARA
Warranty inquiries	Submit an IDS ticket to the Warranty Department
Parts inquiries	Submit an IDS ticket to the Motorrad Parts Department

Supporting Materials

[picture_as_pdf 71 01 24 Replace Tire and Emissions Labels.pdf](#)

