

**Technical Service Bulletin (TSB)**  
**Rear Selective Thrust Washer Failure**

<b>REFERENCE:</b>	<b>TSB:</b> 21-054-24 <b>GROUP:</b> 21 - Transmission and Transfer Case	<b>Date:</b>	October 26, 2024	<b>REVISION:</b>	—
<b>VEHICLES AFFECTED:</b>	<b>2024 (D2) RAM 3500 Pickup</b> <b>2024 (DJ) RAM 2500 Pickup</b> This bulletin applies to vehicles equipped with the 6.7L I6 Cummins Turbo Diesel Engine (Sales Code ETL) and the 6-Spd Automatic 68RFE Transmission (Sales Code DG7).			<b>MARKET APPLICABILITY:</b>	
				<input checked="" type="checkbox"/> NA	<input checked="" type="checkbox"/> MEA
				<input checked="" type="checkbox"/> SA	<input type="checkbox"/> IAP
				<input type="checkbox"/> EE	<input type="checkbox"/> CH
<b>CUSTOMER SYMPTOM:</b>	<p><b>Customers must experience a Malfunction Indicator Lamp (MIL) illumination and the vehicle must exhibit/set one or more of the following Diagnostic Trouble Codes (DTCs):</b></p> <ul style="list-style-type: none"> <li>• P0218-00 - Transmission High Temperature Operation Activated.</li> <li>• P0716-00 - Input Speed Sensor 1 Circuit Performance.</li> <li>• P0729-00 - Gear 6 Shift Incorrect Ratio.</li> <li>• P0731-00 - Gear 1 Shift Incorrect Ratio.</li> <li>• P0732-00 - Gear 2 Shift Incorrect Ratio.</li> <li>• P0733-00 - Gear 3 Shift Incorrect Ratio.</li> <li>• P0734-00 - Gear 4 Shift Incorrect Ratio.</li> <li>• P0735-00 - Gear 5 Shift Incorrect Ratio.</li> <li>• P0841-00 - Transmission Fluid Pressure Sensor/Switch 1 Circuit Performance.</li> <li>• P0868-00 - Transmission Fluid Pressure Low.</li> <li>• P0871-00 - Transmission Fluid Pressure Sensor/Switch "C" Circuit Range/Performance.</li> <li>• P0876-00 - Transmission Fluid Pressure Sensor/Switch "D" Circuit Range/Performance.</li> <li>• P0944-00 - Loss Of Hydraulic Pump Prime.</li> </ul> <p><b>Customers may also comment on one or more of the following:</b></p> <ul style="list-style-type: none"> <li>• Hard shifting into gear.</li> <li>• Vehicle enters into limp home mode.</li> </ul>				
<b>CAUSE:</b>	Rear selective thrust bearing cracking				

**This Technical Service Bulletin (TSB) has also been released as a Rapid Service Update (RSU) 24-149, date of issue October 26, 2024. All applicable RSU VINs have been loaded. To verify this RSU service action is applicable to the vehicle, use VIP or perform a VIN search in DealerCONNECT/Service Library. All repairs are reimbursable within the provisions of warranty.**

**REPAIR SUMMARY:**

This bulletin involves replacing the transmission rear selective thrust plate located between the Number 6 thrust bearing and the reaction sun gear.

**CLAIMS DATA:**

Labor Operation No:	Labor Description	Skill Category	Labor Time
21-00-19-90	Bearing, Transmission Thrust - Replace (3 - Highly Skilled)	21 - Transmission	4.0 Hrs.
Failure Code	ZZ	Service Action	

**RELATED LOPS:**

Labor Operation No:	Labor Description	Skill Category	Labor Time
21-00-19-67	4x4 Equipped (3 - Highly Skilled)	21 - Transmission	1.0 Hrs.
21-00-19-68	Skid Plate Equipped (3 - Highly Skilled)	21 - Transmission	0.1 Hrs.

**SPARE PARTS:**

**NOTE:** To quickly search for a VIN, use “CTRL+F” to open the search bar. Enter the last 8 of the VIN to locate within the list.

Qty	Part No.	Description	Notes
1 (AR)	4799813AC	Plate, Planetary	Thrust Washer Thickness 2.78mm Please refer to the <a href="#">VIN List Table</a> to order the correct part.
1 (AR)	04799814AC	Plate, Planetary	Thrust Washer Thickness 2.86mm Please refer to the <a href="#">VIN List Table</a> to order the correct part.
1 (AR)	04799843AC	Plate, Planetary	Thrust Washer Thickness 3.08mm Please refer to the <a href="#">VIN List Table</a> to order the correct part.
1 (AR)	04799816AC	Plate, Planetary	Thrust Washer Thickness 3.23mm Please refer to the <a href="#">VIN List Table</a> to order the correct part.
1 (AR)	04799817AC	Plate, Planetary	Thrust Washer Thickness 3.38mm Please refer to the <a href="#">VIN List Table</a> to order the correct part.

Qty	Part No.	Description	Notes
6	06506497AA	Bolt, Torque Convertor	
1	68433227AB	Front Driveshaft Boot Kit	
18	68218057AC	Fluid, Auto Transmission ATF+4, Quart, Standard MS 9602-F	
1	68425659AA	Gasket, Oil Pan	
15	06102403AA	Bolt, Hex flange Head M6x1x14	
1	04799964AD	Seal, Sump Filter	
1	52119645AA	Cover, Oil Pump	With Seals and O-ring.
1	06504548	Screw, M6x1x30	Manual Shift Lever Bolt.

### DIAGNOSIS:

Using a Scan Tool (wiTECH) with the appropriate Diagnostic Procedures available in DealerCONNECT/ Service Library, verify all related systems are functioning as designed. If DTCs or symptom conditions, other than the ones listed above are present, record the issues on the repair order and repair as necessary before proceeding further with this bulletin.

If a customer's VIN is listed in VIP or your RSU VIN list, perform the repair. If any vehicle not on the VIN list exhibits any of the symptom listed above in the customer symptom section, perform the Repair Procedure.

### SPECIAL TOOLS/EQUIPMENT:

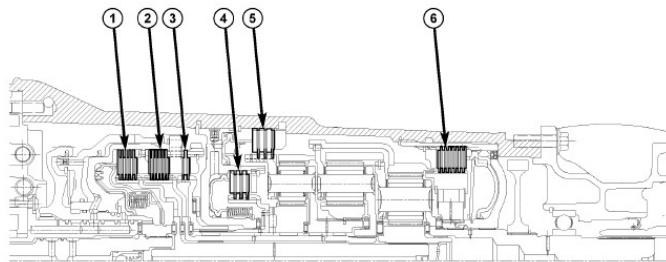
Description	Ref. No.	Notes
Support Stand Tool	8257	
End-Play Tool Set	8266-17	
Adapter	8216	
Dial Indicator	C-3339A	
Alignment Plate	10065	
Output Shaft End-Play Socket	8266-20	
End-Play Tool Set Handle	8266B	
wiTECH or Equivalent	-	

**REPAIR PROCEDURE:****CAUTION!**

Tag all snap rings, thrust washer, washers, shims, spacers and thrust bearings, etc. during disassembly for quick identification and assembly. Failure to follow these instructions will cause damage and transmission failure.

**NOTE:** During assembly, apply trans jell or petroleum jelly to all slide portions, rolling contacts surfaces, thrust surfaces etc. to prevent burnout during initial operation. Lubricate O-rings and O-ring seals with MOPAR® ATF+4. Soak all friction disks in MOPAR® ATF+4 for at least two hours before assembly of clutch packs.

68RFE Clutch Orientation [Fig. 1](#)



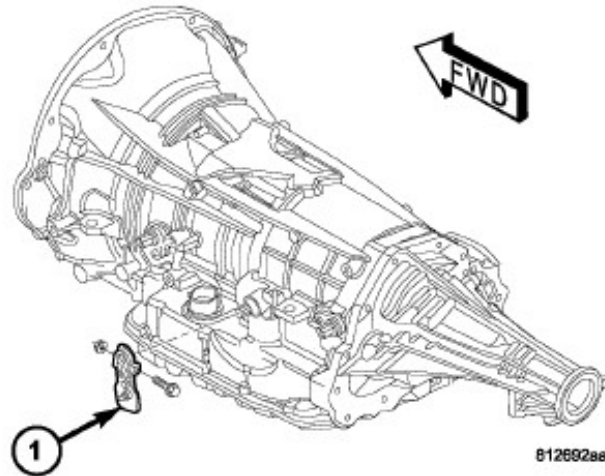
816820a

**Fig. 1**  
68RFE Clutch Orientation

- 1 - U/D Clutch
- 2 - O/D Clutch
- 3 - Reverse Clutch
- 4 - 4C Clutch
- 5 - 2C Clutch
- 6 - L/R Clutch

1. Is the vehicle on the RSU VIN list?
  - YES >>> Proceed to [Step 2](#).
  - NO>>> This Bulletin does not apply. Normal diagnosis should be performed.
2. Remove the torque converter from the transmission. Refer to the detailed service procedures available in DealerCONNECT/Service Library under: Service Info> 21 - Transmission and Transfer Case / Automatic - 68RFE / Torque Converter / Removal.

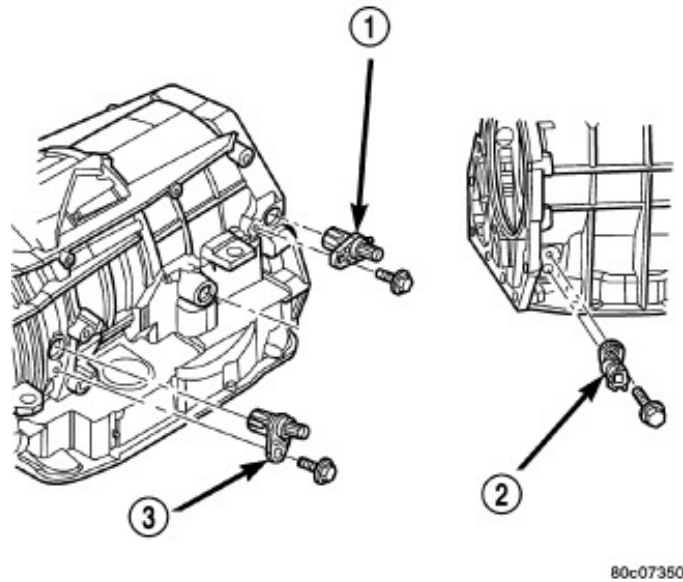
3. Remove the manual shift lever from the transmission and **DISCARD** the manual shift lever bolt [Fig. 2](#).



**Fig. 2**  
Manual Shift Lever

1 - Manual Shift Lever

4. Remove the input speed sensor from the transmission case [Fig. 3](#). Refer to the detailed service procedures available in DealerCONNECT/Service Library under: Service Info> 21 - Transmission and Transfer Case / Automatic - 68RFE / Sensor, Speed, Input / Removal.

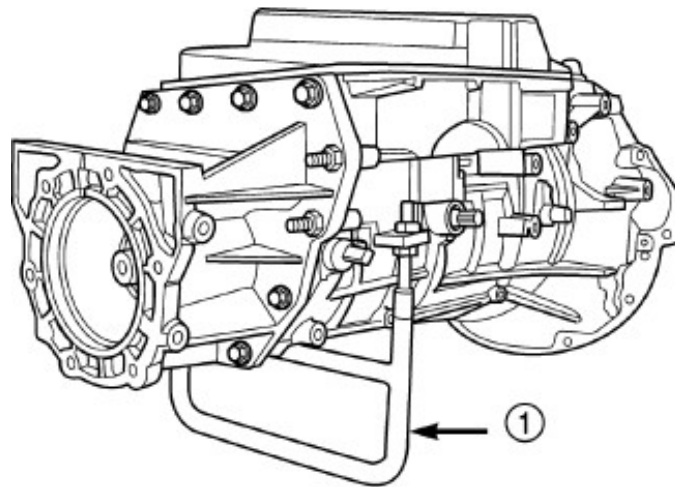


**Fig. 3**  
Remove Input Sensor

1 - Output Speed Sensor  
2 - Line Pressure Sensor  
3 - Input Speed Sensor

**NOTE: Do not remove the Output Speed Sensor or the Line Pressure Sensor to perform this repair.**

5. Install Support Stand 8257 onto the transmission case Fig. 4.

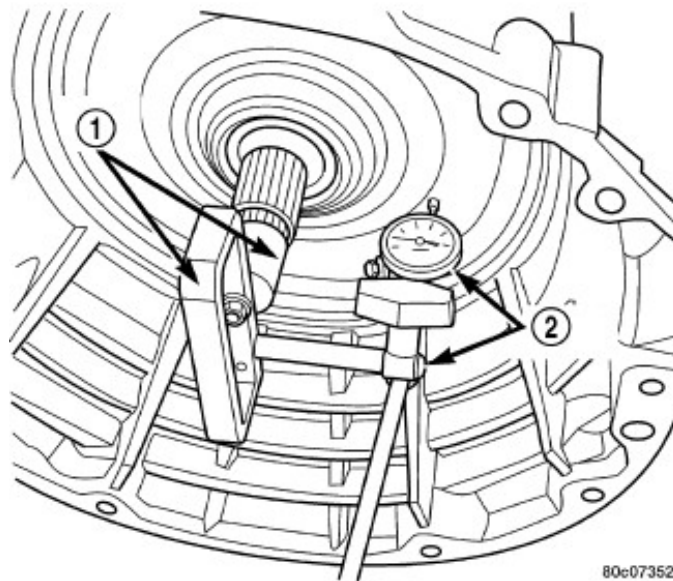


80c07351

**Fig. 4**  
Support Stand Tool 8257

1 - Support Stand Tool 8257

6. Using Adapter 8266-17 from End-Play Tool set 8266B and Dial Indicator C-339A, measure and record the input shaft end-play Fig. 5.



80c07352

**Fig. 5**  
Measure Input Shaft End Play

1 - End-Play Tool Set 8266 -17

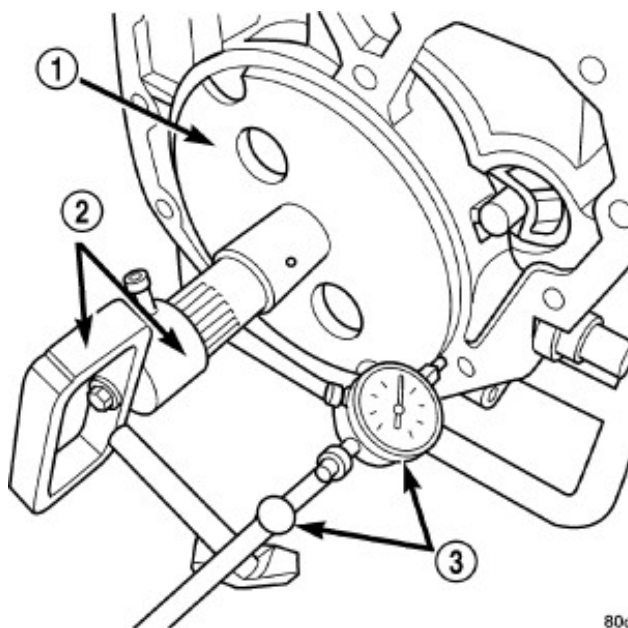
2 - Adapter 8216 With Dial Indicator C-3339A

**NOTE:** When measuring the input shaft end-play, two "stops" will be felt. When the input shaft is pushed inward and the dial indicator zeroed, the first "stop" felt when the input shaft is pulled outward is the movement of the input shaft in the input clutch housing hub. This value should not be included in the end-play measured value and therefore must be recorded and subtracted from the dial indicator reading.

**NOTE:** Adapter 8266-17 will fit loosely onto the input shaft, this should not effect the performance of the adapter.

7. Remove the bolts holding the transmission extension/adapter housing to the transmission case.

8. Remove the extension/adaptor housing from the transmission case.
9. Using Alignment Plate 10065, Output Shaft End-Play Socket 8266-20, handle from End-Play Tool Set 8266B and Dial Indicator C-339A, measure and record the output shaft end-play [Fig. 6](#).

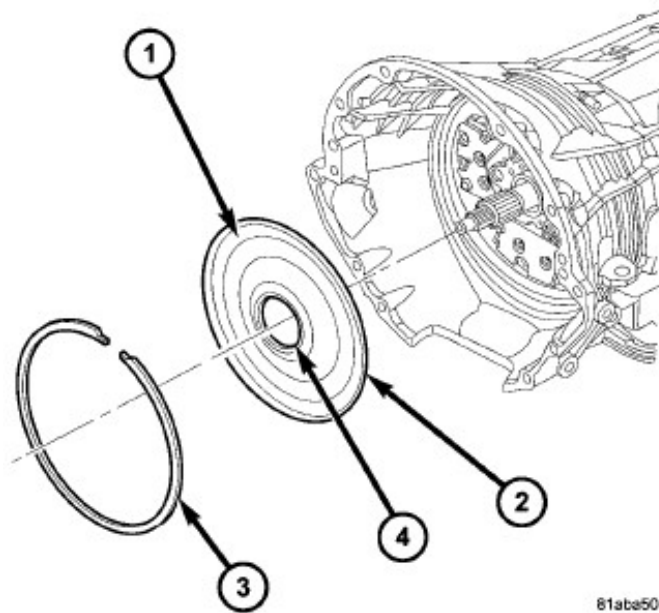


**Fig. 6**  
Measure Output Shaft End Play

- 1 - Tool 10065
- 2 - Tool 8266-20
- 3 - Tool C-3339A

- 
10. Remove the bolts holding the transmission oil pan to the transmission case.
  11. Remove the transmission oil pan from the transmission case and **DISCARD** the oil pan gasket.
  12. Remove the valve body from the transmission case. Refer to the detailed service procedures available in DealerCONNECT/Service Library under: Service Info> 21 - Transmission and Transfer Case/Automatic/Valve Body/Removal and Installation.

13. Remove the outer snap-ring securing the transmission front cover into the transmission case [Fig. 7](#).

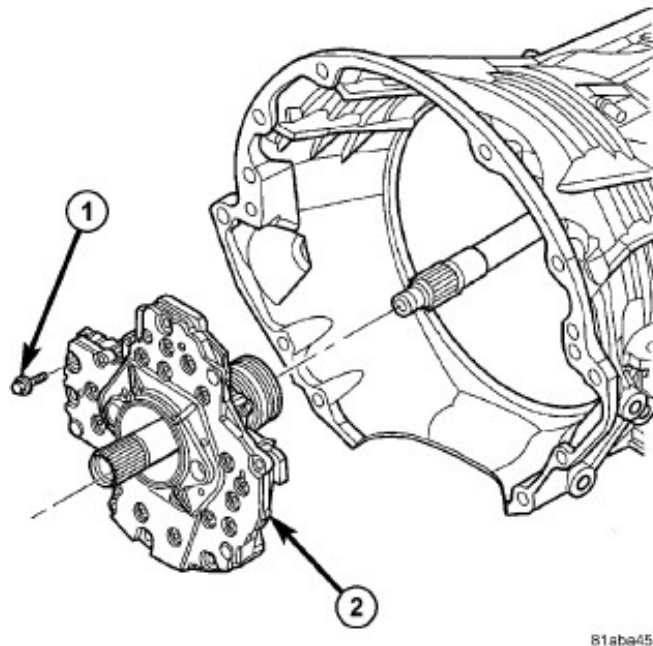


**Fig. 7**  
Front Cover

- 1 - Front Cover
- 2 - O - Ring
- 3 - Snap Ring
- 4 - Front Cover Seal

14. Reaching through a case opening in the valve body area with a long blunted Tool, remove and **DISCARD** the transmission front cover from the transmission case [Fig. 7](#).

15. Remove the bolts holding the oil pump into the transmission case [Fig. 8](#).



**Fig. 8**  
Remove Oil Pump

- 1 - Oil Pump To Case Bolt
- 2 - Oil Pump

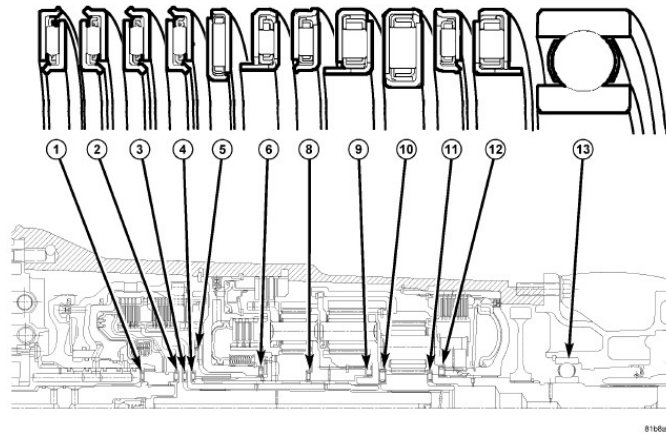
---

16. Remove the oil pump. Hold inward on the input shaft to prevent pulling the input clutch assembly with the oil pump [Fig. 8](#).

**CAUTION!**

**If the input shaft is not held during oil pump removal, the input clutch assembly will attempt to move forward with the oil pump and the numbers 2, 3, or 4 bearings inside the input clutch assembly may become dislodged.**

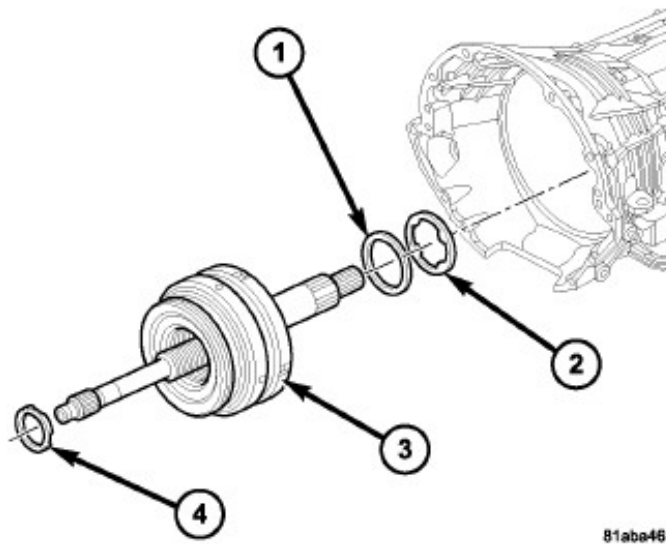
17. Remove the number one thrust bearing from the input clutch assembly [Fig. 9](#).



**Fig. 9**  
68RFE Cross Sectional

- |                          |                            |
|--------------------------|----------------------------|
| 1 - Thrust Bearing No. 1 | 8 - Thrust Bearing No. 8   |
| 2 - Thrust Bearing No. 2 | 9 - Thrust Bearing No. 9   |
| 3 - Thrust Bearing No. 3 | 10 - Thrust Bearing No. 10 |
| 4 - Thrust Bearing No. 4 | 11 - Thrust Bearing No. 11 |
| 5 - Thrust Bearing No. 5 | 12 - Thrust Bearing No. 12 |
| 6 - Thrust Bearing No. 6 | 13 - Output Shaft Bearing  |

18. Remove the input clutch assembly from the transmission case [Fig 10](#).

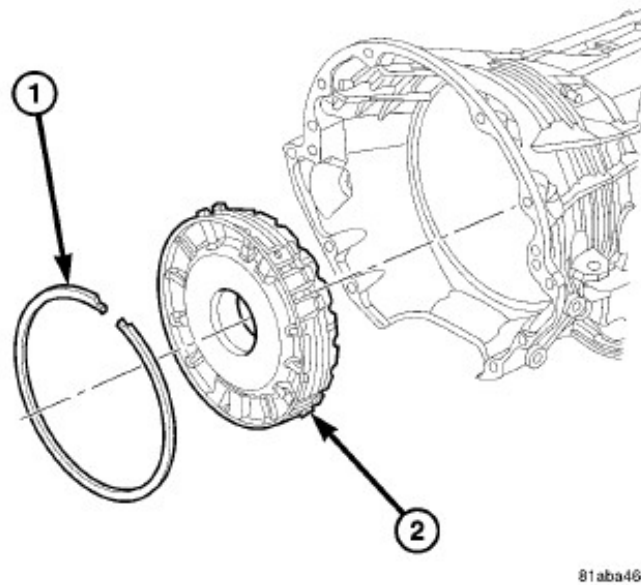


**Fig. 10**  
Input Clutch Assembly

- 1 - Thrust Bearing Number 5
- 2 - Thrust Plate (select)
- 3 - Input Clutch Assembly
- 4 - Thrust Bearing Number 1

19. Remove the number 5 thrust bearing and selective thrust plate from the input clutch assembly, or the 4C clutch retainer/bulkhead [Fig 10](#).

20. Remove the 4C clutch retainer/bulkhead tapered snap-ring from the transmission case [Fig. 11](#).



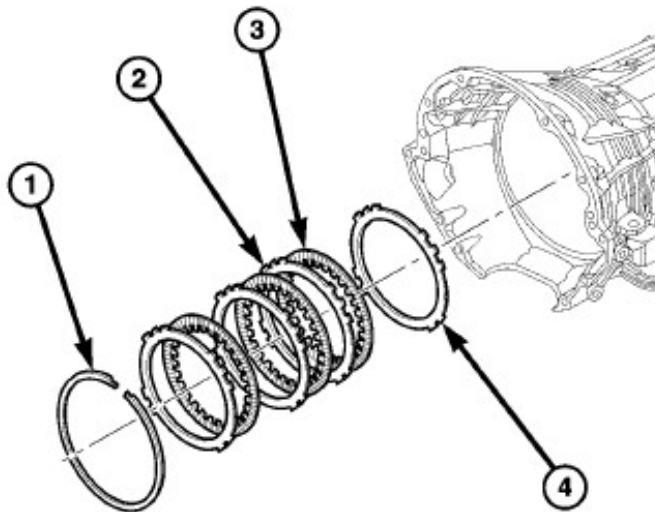
81aba46e

**Fig. 11**  
4C Clutch Retainer/Bulkhead

- 1 - Snap-ring
- 2 - 2C/4C Clutch Retainer/bulkhead

21. Remove the 4C clutch retainer/bulkhead from the transmission case [Fig. 11](#).

22. Remove the front 2C clutch pack snap-ring from the transmission case [Fig. 12](#).



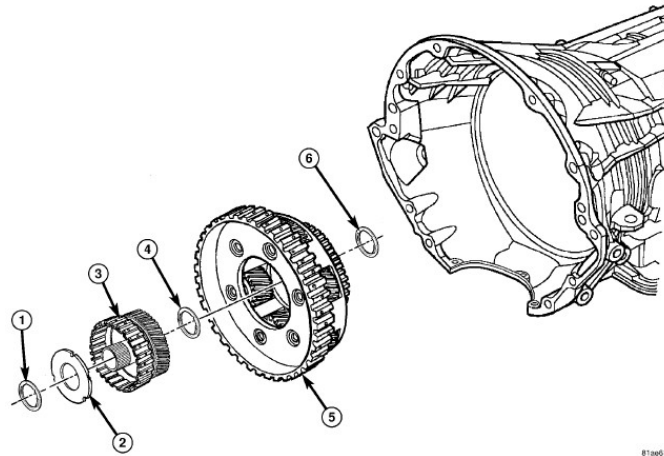
81abe477

**Fig. 12**  
2C Clutch Pack

- 1 - Snap-ring
- 2 - Plate
- 3 - Disc
- 4 - Reaction Plate

23. Remove the 2C clutch pack from the transmission case [Fig. 12](#).

24. Remove and **DISCARD** the rear selective thrust plate from the 4C clutch hub (3) [Fig. 13](#).



**Fig. 13**  
Reaction Annulus and Carrier

- 1 - Thrust Bearing Number 6
- 2 - Output End Play Thrust Plate (selective)
- 3 - 4c Clutch Hub / Reaction Sun Gear
- 4 - Thrust Bearing Number 8
- 5 - Reaction Planetary Carrier
- 6 - Thrust Bearing Number 9

25. Install the 2C reaction plate [Fig. 14](#).



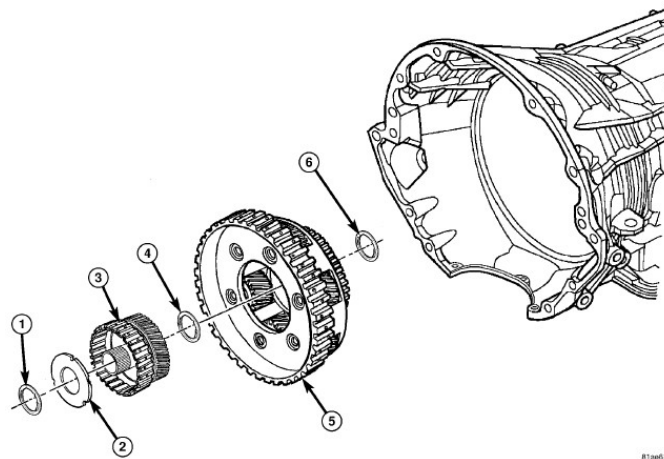
**Fig. 14**  
2C Clutch Pack

- 1 - Snap-ring
- 2 - Plate
- 3 - Disc
- 4 - Reaction Plate

26. Install the 2C clutch pack into the transmission case [Fig. 14](#).

27. Install the flat 2C / 4C clutch snap-ring into the transmission case [Fig. 14](#).

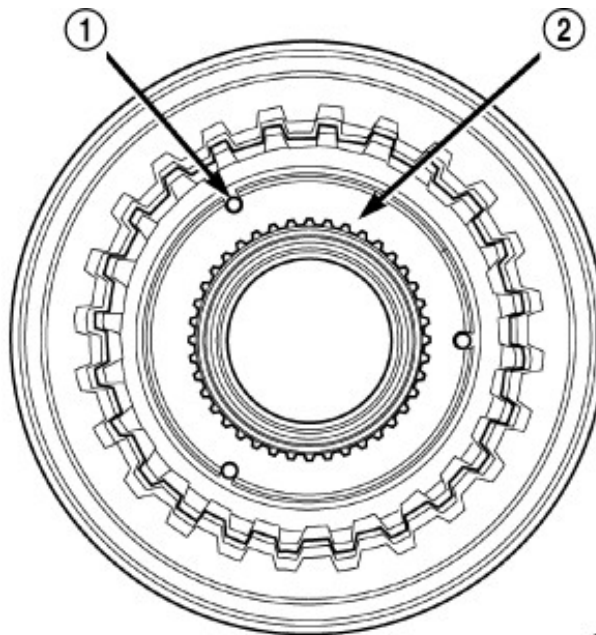
- 28. Install the reaction planetary gear set.
- 29. Install the number 8 thrust bearing into the reaction sun gear with the blue ink stripe against the sun gear with the inner race facing up [Step 15](#).



**Fig. 15**  
Reaction Annulus and Carrier

- 1 - Thrust Bearing Number 6
- 2 - Output End Play Thrust Plate (selective)
- 3 - 4c Clutch Hub / Reaction Sun Gear
- 4 - Thrust Bearing Number 8
- 5 - Reaction Planetary Carrier
- 6 - Thrust Bearing Number 9

- 30. Install the output shaft selective thrust plate onto the 4C clutch hub with the oil grooves facing the hub and the lugs and notches aligned as shown [Fig. 16](#).

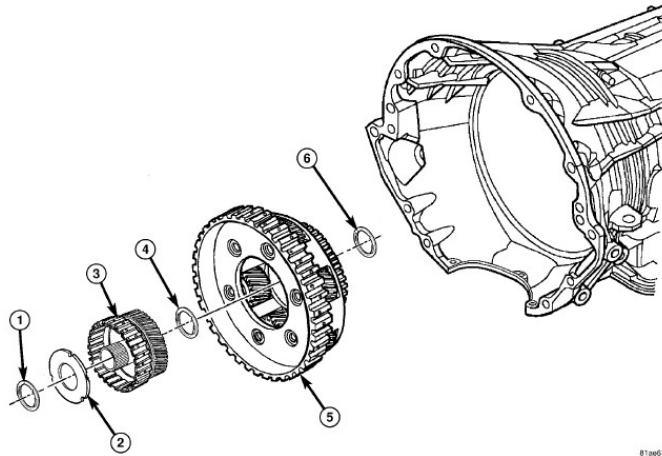


**Fig. 16**  
Thrust Plate Alignment

- 1 - Locating Lugs
- 2 - Thrust Plate

**NOTE: The angular spacing between the lugs/notches is not uniform.**

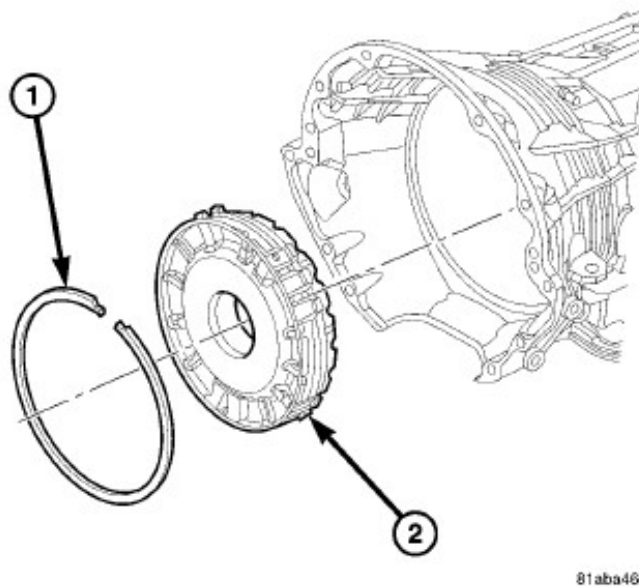
31. Install the number 6 thrust bearing against the **NEW** output shaft selective thrust plate with the flat side against the thrust plate and the raised tabs on the inner race facing the front of the transmission Fig. 17.



**Fig. 17**  
Reaction Annulus and Carrier

- 1 - Thrust Bearing Number 6
- 2 - Output End Play Thrust Plate (selective)
- 3 - 4c Clutch Hub / Reaction Sun Gear
- 4 - Thrust Bearing Number 8
- 5 - Reaction Planetary Carrier
- 6 - Thrust Bearing Number 9

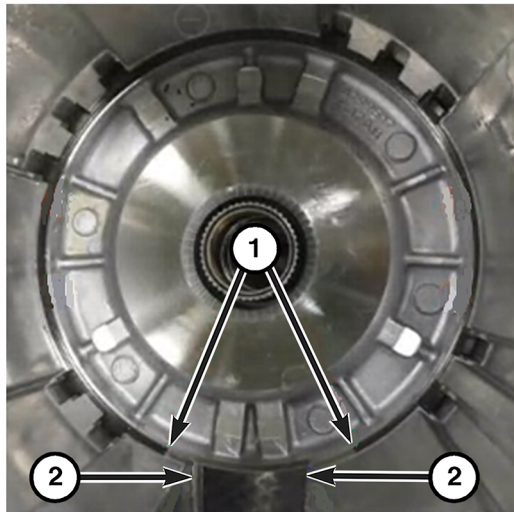
32. Install the install the 4C clutch / reaction sun gear into the reaction planetary gear set Fig. 17.
33. Install the 2C / 4C retainer/bulkhead into the transmission case Fig 18. Make sure that the oil feed holes are pointing toward the valve body area. Rotate the 4C clutch hub during the installation of the 4C retainer/ bulkhead to ease installation.



**Fig. 18**  
4C Clutch Retainer/Bulkhead

- 1 - Snap-Ring
- 2 - 2C/4C Clutch Retainer/Bulkhead

34. Install the 2C / 4C retainer/bulkhead tapered snap-ring into the transmission case with the taper toward the front of the case. Make sure that the open ends of the snap-ring are located in the case opening toward the valve body area [Fig 18](#) and [Fig. 19](#).



2101186203

**Fig. 19**  
Case Opening Snap Ring Location

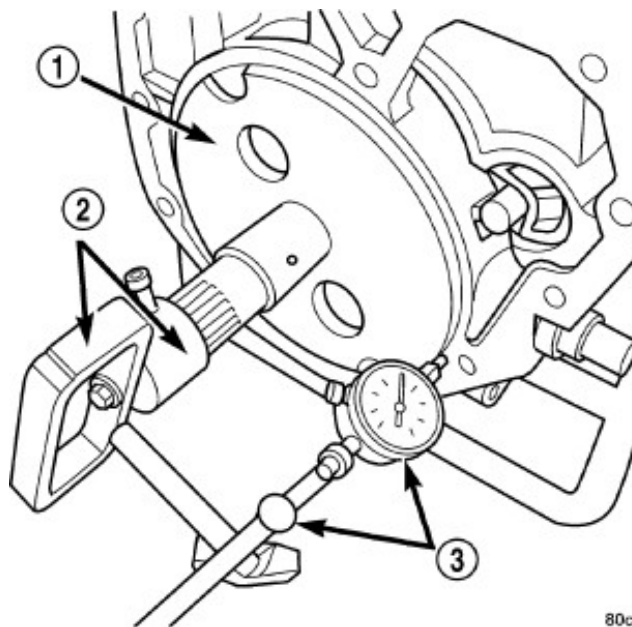
1 - Snap-Ring  
2 - Case Opening

35. Air check the 2C and 4C clutch operation. Refer to the detailed service procedures available in DealerCONNECT/Service Library under: Service Info> 21 - Transmission and Transfer Case/Automatic - 68RFE - Diagnosis and Testing.
36. Using Alignment Plate 10065, Output Shaft End-Play Socket 8266-20, handle from End-Play Tool Set 8266B and Dial Indicator C-3339A, measure and record the output shaft end-play. The correct output shaft end-play is 0.25-0.52 mm (0.010-0.020 in.). Adjust as necessary by installing the chosen output shaft selective bearing spacer and re-measure end-play to verify selection [Fig. 20](#).

**Output Shaft End Play Selectable Bearing Spacer Thickness (See parts table before ordering):**

- 09 = 2.18 mm (0.086 in.)
- 10 = 2.33 mm (0.092 in.)
- 11 = 2.48 mm (0.098 in.)
- 12 = 2.63 mm (0.103 in.)
- 13 = 2.78 mm (0.109 in.)
- 14 = 2.69 mm (0.115 in.)
- 43 = 3.08 mm (0.121 in.)
- 16 = 3.23 mm (0.127 in.)
- 17 = 3.38 mm (0.133 in.)
- 18 = 3.53 mm (0.139 in.)
- 19 = 3.68 mm (0.145 in.)

**NOTE:** The output shaft end play is adjusted by means of a selectable bearing spacer in front of the 4C clutch hub/reaction sun gear. The selectable bearing spacer thickness is identified by a numeric numeral molded or stamped into the spacer [Fig. 19](#).

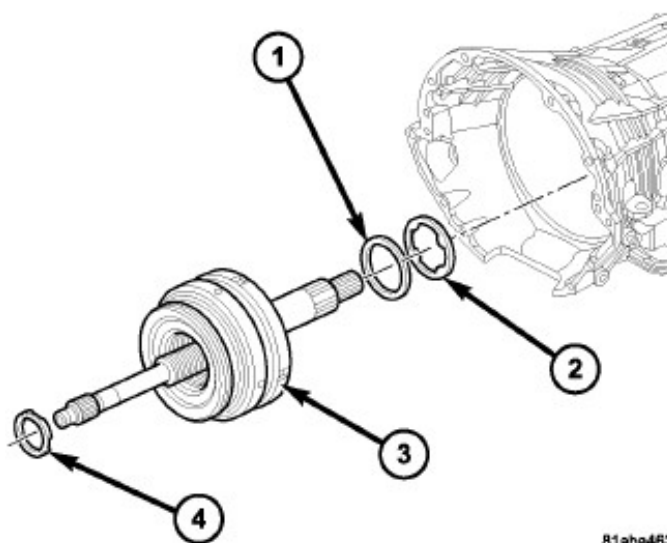


80c07353

**Fig. 20**  
Measure Output Shaft End Play

- 1 - Tool 10065
- 2 - Tool 8266-20
- 3 - Tool C-3339A

- 
- 37. Install a **NEW** transmission pan gasket and install the extension/adaptor housing onto the transmission case.
  - 38. Install and torque the bolts to 54 N·m (40 ft.lbs.) in order to hold the extension/adaptor housing onto the transmission case.

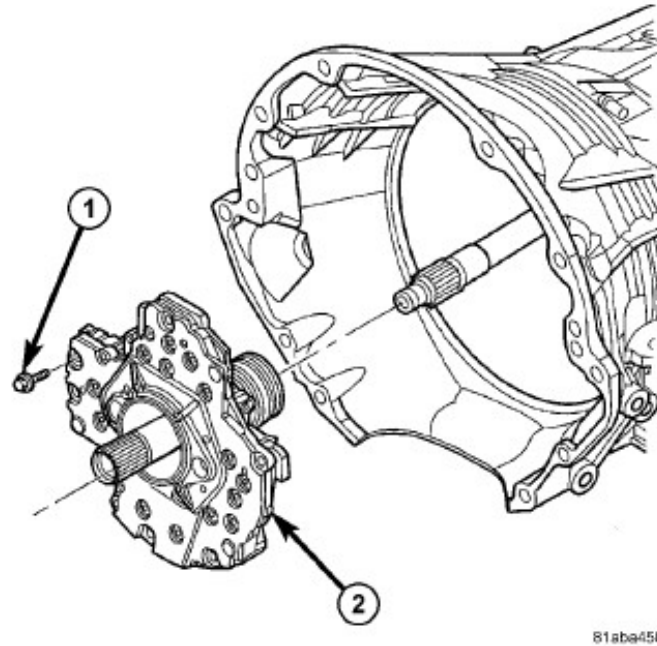


81aba463

**Fig. 21**  
Input Clutch Assembly

- 1 - Thrust Bearing Number 5
  - 2 - Thrust Plate (select)
  - 3 - Input Clutch Assembly
  - 4 - Thrust Bearing Number 1
-

39. Install the number 5 thrust bearing and selective thrust plate onto the input clutch assembly. Be sure that the outer race of the bearing is against the thrust plate [Fig. 21](#).
40. Install the input clutch assembly into the transmission case. Make sure that the input clutch assembly is fully installed by performing a visual inspection through the input speed sensor hole. If the tone wheel teeth on the input clutch assembly are centered in the hole, the assembly is fully installed [Fig. 21](#).
41. Install the number 1 thrust bearing with the outer race up in the pocket of the input clutch assembly [Fig. 21](#).
42. Install the oil pump into the transmission case making certain the oil pump is flush with the transmission case [Fig. 22](#).

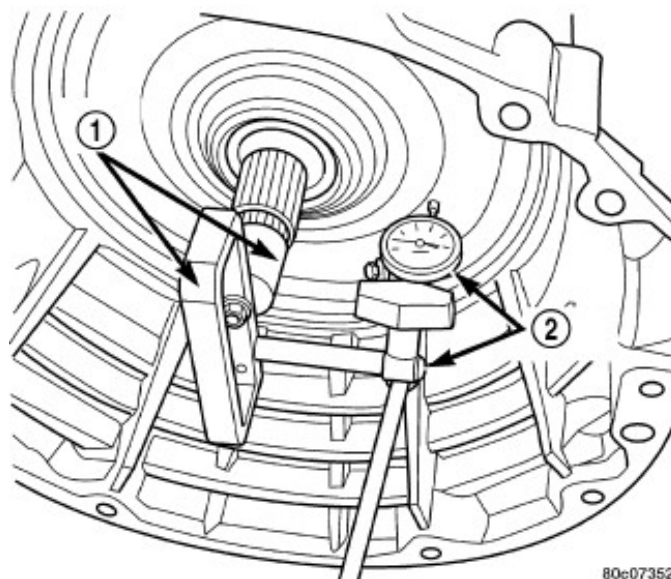


**Fig. 22**  
Remove Oil Pump

1 - Oil Pump To Case Bolt

2 - Oil Pump

43. Install the bolts to hold the oil pump into the transmission case. Tighten the oil pump bolts to 28 N·m (250 in.lbs.) [Fig. 22](#).
44. Using Adapter 8266-17 from End-play Tool set 8266B and Dial Indicator C-339A, measure and record the input shaft end-play. The correct end-play is 0.52-0.74 mm (0.020-0.029 in.). Adjust as necessary. Install the chosen selectable bearing spacer on the number 5 thrust bearing and re-measure end-play to verify selection [Fig. 23](#).



**Fig. 23**  
Measure Input Shaft End Play

1 - Tool 8266 -17

2 - Tool C-3339A

### Input Shaft End Play Selectable Bearing Spacer Thickness

- 30 = 1.99 mm (0.078 in.)
- 31 = 2.13 mm (0.084 in.)
- 32 = 2.27 mm (0.089 in.)
- 33 = 2.41 mm (0.095 in.)
- 34 = 2.55 mm (0.100 in.)
- 35 = 2.69 mm (0.106 in.)
- 36 = 2.83 mm (0.111 in.)
- 37 = 2.97 mm (0.117 in.)

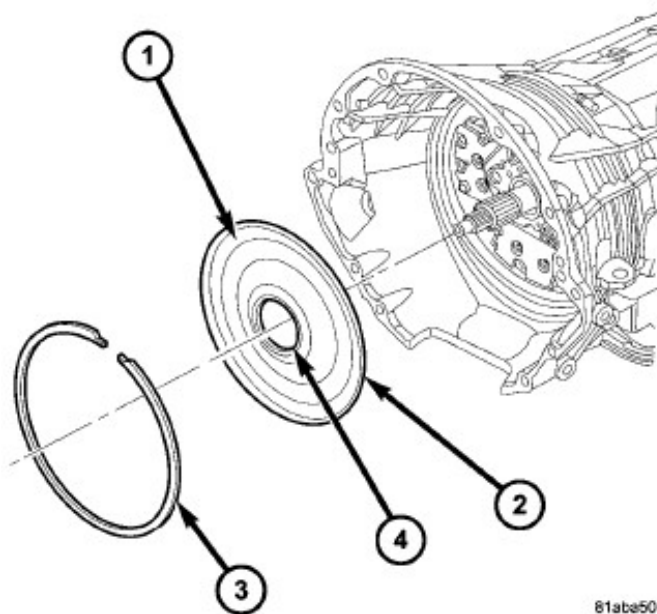
**NOTE:** Adapter 8266-17 will fit loosely onto the input shaft, this should not effect the performance of the adapter.

**NOTE:** If NO input shaft end play is noted, disassemble the input clutch assembly and check for the #2, #3, or #4 thrust bearing fallen out of position or cracked. Replace any cracked thrust bearing and reassemble using trans jell or petroleum jelly to retain the thrust bearings. The selectable bearing spacer thickness is identified by a numeric numeral molded or stamped into the spacer.

**NOTE:** When measuring the input shaft end-play, two "stops" will be felt. When the input shaft is pushed inward and the dial indicator zeroed, the first "stop" felt when the input shaft is pulled outward is the movement of the input shaft in the input clutch housing hub. This value should not be included in the end-play measured value and therefore must be recorded and subtracted from the dial indicator reading.

45. Position the **NEW** front cover onto transmission case [Fig. 24](#).

**NOTE: To avoid contamination and garter spring dislodgement, do not handle the front cover seal when installing the front cover into the transmission case.**



81aba505

**Fig. 24**  
Front Cover

- 1 - Front Cover
- 2 - O - Ring
- 3 - Snap Ring
- 4 - Front Cover Seal

46. Using a dead-blow mallet and the front cover installation Tool 9555, install the front cover into the transmission case [Fig. 24](#).

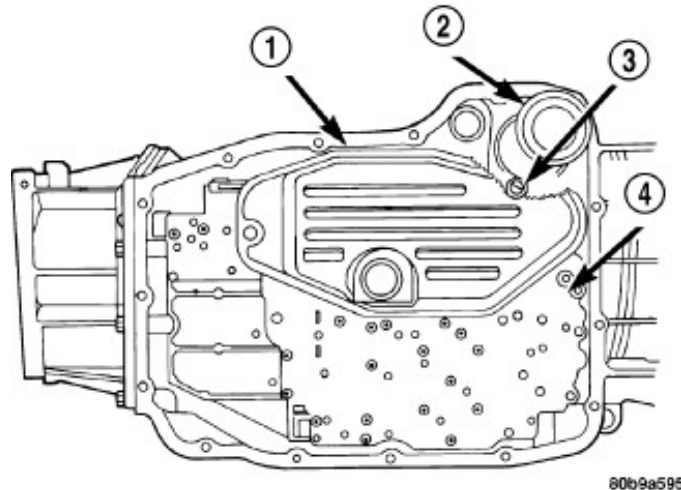
47. Install the snap ring into the transmission case [Fig. 24](#).

48. Install the valve body. Refer to the detailed service procedures available in DealerCONNECT/Service Library under: Service Info> 21 - Transmission and Transfer Case/Automatic/Valve Body/ Installation.

49. Install the primary oil filter and the oil cooler return filter Fig. 25. Tighten the screw to hold the primary oil filter to the valve body to 4.5 N·m (40 in.lbs.). Using Filter Wrench 8321, tighten the cooler return oil filter to the transmission case to 9.5 N·m (84 in. lbs.).

**CAUTION!**

The **NEW** primary oil filter seal **MUST** be fully installed flush against the oil pump body. **DO NOT** install the seal onto the filter neck and attempt to install the filter and seal as an assembly. Damage to the transmission will result.

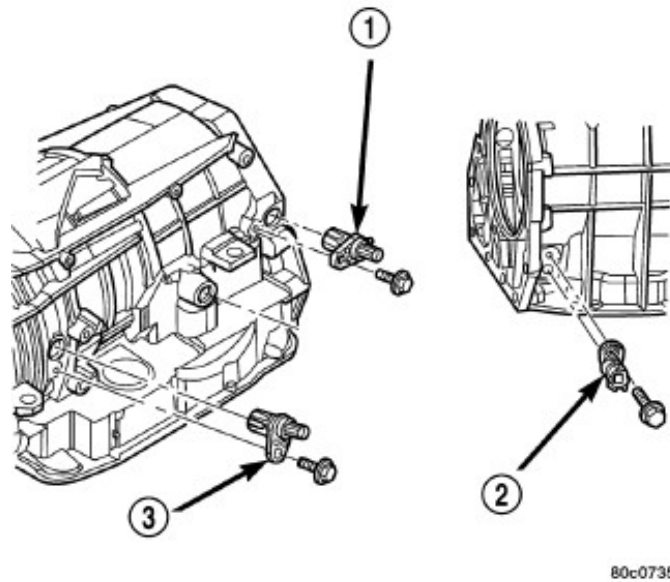
**Fig. 25**

Remove Primary Oil and Cooler Filters

- 1 - Primary Oil Filter
- 2 - Cooler Return Filter
- 3 - Cooler Return Filter Bypass Valve
- 4 - Valve Body

50. Install a **NEW** rubber gasket on the transmission pan and install the transmission oil pan. Tighten the bolts to 12 N·m (105 in.lbs.).

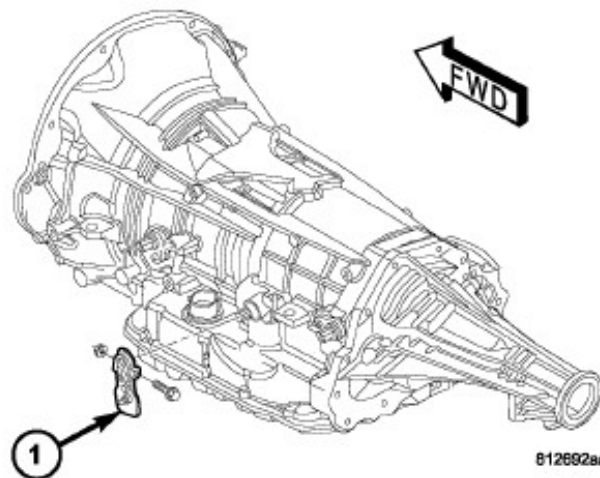
51. Install the input speed sensor to the transmission case [Fig. 26](#). Refer to the detailed service procedures available in DealerCONNECT/Service Library under: Service Info> 21 - Transmission and Transfer Case / Automatic - 68RFE / Sensor, Speed, Input / Installation.



**Fig. 26**  
Install Input Sensor

- 1 - Output Speed Sensor
- 2 - Line Pressure Sensor
- 3 - Input Speed Sensor

52. Install the manual shift lever to the transmission using a **NEW** manual shift lever bolt [Fig. 27](#).



**Fig. 27**  
Manual Shift Lever

- 1 - Manual Shift Lever

53. Install the torque converter from the transmission. Refer to the detailed service procedures available in DealerCONNECT/Service Library under: Service Info> 21 - Transmission and Transfer Case / Automatic - 68RFE / Torque Converter / Installation.

54. Using wiTECH, perform a Quick Learn Procedure.

55. Clear DTCs.

**THRUST WASHER PART NUMBER BY VIN:**

**NOTE: To quickly search for a VIN, use “CTRL+F” to open the search bar. Enter the last 8 of the VIN to locate within the list.**

VIN	Shim Part No.
3C6UR5HL4RG330551	04799814AC
3C6UR5SL2RG332596	04799816AC
3C6UR5SL8RG336197	04799816AC
3C63RRHL1RG337346	04799817AC
3C6UR5SL1RG336199	04799843AC
3C63R3SL8RG335468	04799843AC
3C6UR5FL3RG324890	04799816AC
3C63R3SL6RG335470	04799816AC
3C63RRJL3RG333650	04799843AC
3C6UR5DL9RG330650	04799814AC
3C6UR5FL7RG366981	Use procedure to determine.
3C6UR5GL2RG332686	04799843AC
3C6UR5FL6RG324950	04799816AC
3C6UR5CL3RG330743	04799843AC
3C6UR5FL2RG322029	04799843AC
3C6UR5DL9RG328557	04799843AC
3C6UR5DL0RG330780	04799814AC
3C63R3CL3RG333741	04799817AC
3C63RRHL2RG333757	04799843AC
3C6UR5CL1RG328571	04799843AC
3C63RRGL4RG333759	04799843AC
3C6UR5DL4RG328577	04799843AC
3C63R3HL8RG333775	04799817AC
3C63R3HL1RG333777	04799816AC
3C6UR5CL7RG330826	04799816AC
3C6UR5CL9RG330827	04799817AC
3C6UR5CL3RG328507	04799817AC
3C63RRHL4RG333789	04799816AC
3C6UR5CL3RG328586	04799817AC
3C63RRHLXRG333814	04799843AC
3C6UR5FL8RG345735	04799843AC
3C6UR5FLXRG330914	04799816AC
3C6UR5FL3RG330933	04799816AC
3C6UR5FL1RG345849	04799843AC
3C63RRHL0RG333854	04799843AC
3C6UR5CL8RG330964	04799843AC
3C6UR5CL3RG330967	04799843AC
3C63RRJL3RG333874	04799843AC
3C6UR5HL1RG337893	04799843AC
3C63RRGL1RG337297	04799814AC
3C6UR5FL9RG331066	04799816AC

VIN	Shim Part No.
3C6UR5CL5RG331098	04799843AC
3C63R3CL8RG334075	04799814AC
3C6UR5CL8RG331127	04799843AC
3C6UR5CL8RG331130	04799843AC
3C6UR5FLXRG335272	04799816AC
3C6UR5FL3RG335274	04799843AC
3C6UR5FL5RG335275	04799843AC
3C6UR5FL7RG335276	04799843AC
3C6UR5HLXRG331154	04799817AC
3C6UR5CL1RG331177	04799843AC
3C6UR5CL2RG331205	04799816AC
3C6UR5FL4RG304860	04799843AC
3C63RRHL0RG334132	04799816AC
3C6UR5JL2RG331269	04799843AC
3C6UR5CL9RG331279	04799816AC
3C6UR5CLXRG331291	04799843AC
3C63RRHL6RG334152	04799843AC
3C63R3DL6RG334171	04799816AC
3C6UR5CL0RG329355	04799817AC
3C6UR5CL2RG329356	04799816AC
3C6UR5CL9RG329385	04799816AC
3C63RRGL1RG328003	04799843AC
3C6UR5DL0RG335722	04799843AC
3C6UR5CL6RG329439	04799843AC
3C63RRJL3RG334233	04799843AC
3C63RRJL2RG328035	04799843AC
3C6UR5DLXRG326784	04799843AC
3C6UR5CL0RG331459	04799816AC
3C6UR5SL8RG329492	04799817AC
3C6UR5JL0RG336938	04799843AC
3C6UR5CLXRG328732	04799816AC
3C63R3GL3RG333278	04799843AC
3C6UR5SL5RG336951	04799816AC
3C6UR5DL1RG329525	04799843AC
3C6UR5CL1RG331504	04799843AC
3C6UR5NL7RG368134	Use procedure to determine.
3C63R3FL7RG317392	04799843AC
3C6UR5CL1RG329560	04799843AC
3C6UR5CL5RG331554	04799817AC
3C6UR5CL3RG329561	04799843AC
3C6UR5CL2RG331558	04799843AC
3C6UR5CL0RG331560	04799816AC
3C63RRGL4RG333289	04799814AC
3C6UR5CL0RG329601	04799843AC
3C6UR5CL2RG329602	04799817AC

VIN	Shim Part No.
3C63RRRL9RG333298	04799843AC
3C6UR5DL3RG335830	04799816AC
3C6UR5DL5RG335831	04799817AC
3C6UR5HL2RG331634	04799843AC
3C6UR5HL8RG331637	04799843AC
3C6UR5FL8RG329650	04799816AC
3C6UR5CL0RG331638	04799814AC
3C63R3EL4RG335995	04799816AC
3C63RRHL7RG336007	04799843AC
3C63RRGL7RG333318	04799843AC
3C6UR5HL4RG331702	04799843AC
3C6UR5NL8RG347325	04799816AC
3C6UR5CL1RG329784	04799814AC
3C6UR5FL1RG331790	04799843AC
3C6UR5FLXRG331951	04799817AC
3C6UR5FL3RG331953	04799843AC
3C6UR5FL6RG331963	04799843AC
3C6UR5FL9RG331830	04799843AC
3C6UR5FL2RG331832	04799816AC
3C6UR5FL4RG331833	04799843AC
3C6UR5FL6RG331834	04799816AC
3C6UR5CL1RG329848	04799843AC
3C6UR5FL8RG331835	04799816AC
3C6UR5CL3RG328894	04799817AC
3C6UR5DL2RG335737	04799816AC
3C6UR5DL4RG335738	04799843AC
3C6UR5HL6RG329871	04799816AC
3C6UR5FL4RG329872	04799814AC
3C63RRHL9RG328233	04799814AC
3C6UR5CL3RG331875	04799816AC
3C6UR5CL3RG328913	04799843AC
3C6UR5HL4RG331876	04799816AC
3C6UR5JL2RG335242	04799843AC
3C6UR5DL0RG335638	04799816AC
3C6UR5HL3RG329942	04799816AC
3C6UR5HL7RG329944	04799816AC
3C6UR5CL6RG329957	04799814AC
3C6UR5CL8RG329961	04799843AC
3C6UR5SL2RG332078	04799843AC
3C6UR5CL9RG329984	04799816AC
3C6UR5FL0RG330033	04799817AC
3C6UR5FL0RG347513	04799816AC
3C6UR5SL0RG332189	04799816AC
3C6UR5CL8RG330074	04799816AC
3C6UR5CL8RG330110	04799817AC

VIN	Shim Part No.
3C6UR5HL5RG332213	04799816AC
3C6UR5CL0RG330120	04799816AC
3C6UR5CL8RG330141	04799814AC
3C63R3EL8RG333375	04799817AC
3C6UR5CL4RG329052	04799843AC
3C6UR5CL8RG329054	04799843AC
3C63RRHL7RG333396	04799843AC
3C6UR5CL3RG365721	Use procedure to determine.
3C6UR5FL4RG332352	04799814AC
3C6UR5DL2RG332367	04799843AC
3C6UR5CL2RG332368	04799814AC
3C6UR5CL2RG329096	04799843AC
3C6UR5DL8RG328470	04799817AC
3C6UR5CL5RG330338	04799816AC
3C6UR5JL2RG335256	04799843AC
3C6UR5CL8RG330382	04799843AC
3C6UR5GL4RG332463	04799816AC
3C6UR5CL2RG329132	04799816AC
3C6UR5CL4RG329133	04799843AC
3C6UR5CLXRG330397	04799817AC
3C6UR5SL7RG324123	04799843AC
3C6UR5DL7RG330453	04799814AC
3C6UR5GL1RG330458	04799843AC
3C6UR5CL2RG329163	04799814AC
3C63RRGL6RG333553	04799843AC
3C63RRGL5RG333558	04799816AC
3C6UR5GL8RG335317	04799816AC
3C6UR5DL7RG330520	04799816AC
3C6UR5FL0RG332574	04799843AC
3C63RRHL8RG334072	04799843AC
3C6UR5DL7RG329545	04799814AC
3C6UR5CL2RG329826	04799843AC
3C63R3GL8RG333664	04799843AC
3C63RRHL6RG334264	04799843AC
3C6UR5CL7RG331488	04799843AC
3C6UR5DLXRG331046	04799843AC
3C6UR5DL1RG331050	04799843AC
3C6UR5SL9RG336855	04799843AC
3C6UR5CL7RG330874	04799843AC
3C6UR5CL0RG330876	04799816AC
3C6UR5CL7RG331006	04799817AC
3C6UR5CL0RG329338	04799843AC
3C6UR5CL0RG331011	04799816AC
3C63RRGL0RG333841	04799843AC
3C6UR5CL5RG332798	04799814AC

VIN	Shim Part No.
3C63R3EL1RG334156	04799843AC
3C6UR5FL2RG329000	04799843AC
3C6UR5CL7RG330082	04799816AC
3C6UR5CL9RG330083	04799843AC
3C63RRHL1RG335998	04799816AC
3C6UR5FL0RG324152	04799843AC
3C63RRRL8RG336001	04799816AC
3C6UR5GL6RG329631	04799843AC
3C6UR5SL4RG324175	04799843AC
3C6UR5FL7RG329008	04799843AC
3C6UR5FL1RG331837	04799843AC
3C6UR5CL6RG331840	04799816AC
3C6UR5HL7RG328891	04799843AC
3C6UR5CL9RG330021	04799816AC
3C6UR5DL3RG330594	04799816AC
3C6UR5CL2RG330278	04799843AC
3C6UR5CL4RG330279	04799843AC
3C6UR5FL0RG329089	04799843AC
3C6UR5CL2RG330281	04799843AC
3C6UR5CL4RG330282	04799843AC
3C6UR5HL2RG329690	04799843AC
3C6UR5CL6RG331675	04799843AC
3C6UR5CLXRG331677	04799843AC
3C6UR5GL7RG330254	04799814AC
3C6UR5SL1RG336915	04799816AC
3C6UR5FL3RG331984	04799843AC
3C6UR5DL2RG330201	04799843AC
3C6UR5FL9RG304871	04799843AC
3C63RRHL2RG335170	04799843AC
3C6UR5EL9RG330839	04799816AC
3C6UR5EL5RG330840	04799816AC
3C6UR5EL7RG330841	04799843AC
3C6UR5CL9RG330312	04799843AC
3C6UR5CL8RG328549	04799843AC
3C6UR5CL6RG328551	04799843AC
3C6UR5CL7RG330759	Use procedure to determine.
3C6UR5CL2RG330538	04799843AC
3C63RRHL2RG337274	04799843AC
3C6UR5CL6RG330543	04799843AC
3C6UR5GL2RG329013	04799843AC
3C6UR5GL4RG329014	04799843AC
3C6UR5GL6RG329015	04799816AC
3C6UR5HL1RG328711	04799816AC
3C6UR5HL3RG328712	04799814AC
3C6UR5JL0RG328547	04799816AC

VIN	Shim Part No.
3C6UR5DL6RG334798	04799843AC
3C6UR5DL0RG330388	04799814AC
3C6UR5SL3RG332834	04799816AC
3C6UR5FL4RG332836	04799843AC
3C6UR5CL6RG330364	04799816AC
3C6UR5DL1RG329380	04799843AC
3C6UR5DL5RG329382	04799816AC
3C6UR5DL2RG335298	04799816AC
3C6UR5DL9RG335301	04799816AC
3C6UR5DL0RG332531	04799843AC
3C6UR5FL2RG332088	04799816AC
3C6UR5CL2RG331642	04799843AC
3C6UR5HL4RG329660	04799843AC
3C6UR5HL2RG328801	04799816AC
3C6UR5CL1RG331406	04799817AC
3C6UR5EL7RG337711	04799843AC
3C63RRGL2RG335428	04799814AC
3C6UR5FL1RG330641	04799843AC
3C6UR5FL8RG324934	04799843AC
3C6UR5FL1RG324936	04799843AC
3C6UR5HL5RG330154	04799816AC
3C6UR5CL1RG330157	04799843AC
3C6UR5CL3RG330158	04799843AC
3C6UR5HL1RG328479	04799843AC
3C63RRHL9RG334212	04799843AC
3C6UR5CL8RG330334	04799843AC
3C6UR5CL3RG329138	04799817AC
3C6UR5CL8RG331922	04799816AC
3C6UR5DL7RG329609	04799817AC
3C6UR5CL2RG328787	04799816AC
3C6UR5CL1RG330515	04799843AC
3C63R3CL0RG333602	04799843AC
3C6UR5DL6RG319394	04799843AC
3C6UR5DL8RG319395	04799816AC
3C63R3GL6RG335445	04799843AC
3C6UR5FL0RG324894	04799843AC
3C6UR5DL8RG330624	04799843AC
3C6UR5FL6RG349623	04799843AC
3C63R3CL8RG333654	04799843AC
3C63RRHL5RG333655	04799843AC
3C63R3HL2RG333657	04799814AC
3C6UR5DL5RG329236	04799843AC
3C63R3GL6RG333663	04799843AC
3C6UR5FL2RG330678	04799814AC
3C6UR5FL0RG324975	04799843AC

VIN	Shim Part No.
3C6UR5DL8RG332714	04799843AC
3C6UR5EL0RG330695	04799843AC
3C6UR5FL0RG332719	04799843AC
3C63RRHLXRG333697	04799843AC
3C6UR5CL0RG332739	04799816AC
3C6UR5CL5RG332753	04799843AC
3C63RRHL8RG333715	04799843AC
3C6UR5CL0RG330764	04799814AC
3C6UR5DL0RG328558	04799843AC
3C6UR5DL4RG330779	04799843AC
3C63RRHL7RG333754	04799843AC
3C6UR5DL4RG328580	04799843AC
3C6UR5GL8RG332806	04799843AC
3C63R3HLXRG333776	04799814AC
3C63R3CL8RG333783	04799843AC
3C63RRHL2RG333791	04799843AC
3C6UR5HL6RG328526	04799814AC
3C6UR5CL1RG328585	04799814AC
3C6UR5HL7RG328535	04799816AC
3C63RRHL9RG333822	04799816AC
3C6UR5FL6RG330912	04799843AC
3C6UR5FL1RG330915	04799843AC
3C6UR5FL5RG330917	04799814AC
3C6UR5FL4RG330942	04799843AC
3C6UR5CLXRG330965	04799816AC
3C6UR5CL5RG330968	04799814AC
3C63R3CL7RG333872	04799843AC
3C63RRAL5RG334024	04799843AC
3C63RRAL7RG334025	04799843AC
3C63R3EL5RG333902	04799816AC
3C6UR5CL3RG330998	04799843AC
3C6UR5CL6RG331000	04799843AC
3C6UR5CL2RG331012	04799843AC
3C63RRJL6RG334033	04799843AC
3C63RRHL0RG333918	04799814AC
3C63RRAL5RG334038	04799843AC
3C63RRHL9RG333920	04799814AC
3C6UR5DL7RG329349	04799814AC
3C6UR5FLXRG331027	04799814AC
3C6UR5ELXRG331028	04799843AC
3C6UR5EL3RG331033	04799843AC
3C63RRGL1RG337302	04799843AC
3C63RRHLXRG334056	04799843AC
3C63RRHL1RG334057	04799843AC
3C6UR5CLXRG331095	04799843AC

VIN	Shim Part No.
3C63RRHLXRG333988	04799843AC
3C6UR5CLXRG331128	04799816AC
3C6UR5CL9RG331153	04799843AC
3C6UR5HL1RG331155	04799843AC
3C63R3HL6RG335122	04799814AC
3C6UR5DL5RG331231	04799843AC
3C63RRHLXRG334137	04799814AC
3C6UR5EL7RG331293	04799843AC
3C6UR5FL8RG339451	04799843AC
3C63RRHL9RG334162	04799843AC
3C63RRJL6RG333254	04799814AC
3C6UR5FL4RG339463	04799843AC
3C6UR5FL6RG339464	04799843AC
3C63RRHL6RG333261	04799843AC
3C63R3EL5RG334192	04799843AC
3C6UR5CL8RG331368	04799843AC
3C63RRHL1RG334219	04799843AC
3C6UR5CL5RG331392	04799814AC
3C63R3HL4RG335135	04799843AC
3C6UR5CL1RG329445	04799814AC
3C63R3JL2RG334236	04799843AC
3C63R3JL4RG334237	04799843AC
3C6UR5EL7RG331441	04799814AC
3C6UR5EL9RG331442	04799843AC
3C63RRJL2RG333252	04799843AC
3C6UR5CL8RG329488	04799843AC
3C6UR5DL8RG331465	04799843AC
3C6UR5CL9RG329497	04799843AC
3C6UR5DL6RG329522	04799843AC
3C63R3JL0RG335143	04799843AC
3C6UR5CL7RG329563	04799813AC
3C6UR5CL2RG329566	04799843AC
3C6UR5CL6RG331563	04799843AC
3C63RRRL7RG333297	04799816AC
3C6UR5HL0RG331633	04799843AC
3C6UR5EL0RG331653	04799843AC
3C63RRGL7RG333321	04799843AC
3C6UR5FL7RG331762	04799843AC
3C6UR5HL5RG329778	04799816AC
3C6UR5CL8RG329782	04799816AC
3C6UR5CL5RG329786	04799814AC
3C6UR5CL6RG331949	04799843AC
3C6UR5CL7RG328896	04799843AC
3C63RRJL3RG333342	04799814AC
3C6UR5DL5RG332007	04799816AC

VIN	Shim Part No.
3C6UR5FL3RG332021	04799843AC
3C6UR5CL7RG329921	04799843AC
3C6UR5CLXRG329928	04799843AC
3C6UR5CLXRG329931	04799816AC
3C6UR5CL8RG332066	04799843AC
3C6UR5DL0RG328480	04799843AC
3C6UR5CL5RG332106	04799816AC
3C6UR5DL3RG332183	04799843AC
3C6UR5DL5RG332184	04799814AC
3C6UR5CL6RG330087	04799816AC
3C6UR5CL0RG330103	04799843AC
3C6UR5DL2RG349427	04799814AC
3C6UR5CLXRG330111	04799843AC
3C6UR5CL4RG330119	04799816AC
3C6UR5CL3RG330130	04799814AC
3C6UR5CL9RG332285	04799843AC
3C6UR5CL6RG330185	04799814AC
3C6UR5CL8RG330186	04799843AC
3C63RRGL0RG333385	04799843AC
3C6UR5CL8RG332293	04799816AC
3C6UR5CL8RG332312	04799843AC
3C63RRHL9RG333397	04799843AC
3C6UR5HL7RG330219	04799843AC
3C63R3DL1RG333400	04799843AC
3C63RRGL8RG333411	04799814AC
3C6UR5CL5RG330274	04799816AC
3C6UR5CL7RG330275	04799843AC
3C6UR5CLXRG329086	04799843AC
3C6UR5CL0RG330277	04799843AC
3C63RRHL9RG333447	04799843AC
3C63RRHL2RG333466	04799814AC
3C6UR5GL7RG332408	04799843AC
3C6UR5HL3RG332808	04799816AC
3C6UR5HL6RG332818	04799843AC
3C6UR5FL8RG332824	04799843AC
3C6UR5CL8RG330379	04799843AC
3C6UR5FL2RG332446	04799843AC
3C63RRGL8RG333487	04799843AC
3C63RRGLXRG333488	04799843AC
3C6UR5CL8RG332861	04799843AC
3C6UR5EL1RG329166	04799814AC
3C63RRGL0RG333550	04799843AC
3C63RRGL8RG333554	04799814AC
3C6UR5EL7RG329169	04799843AC
3C63RRGL7RG337272	04799843AC

VIN	Shim Part No.
3C6UR5CL2RG330524	04799843AC
3C6UR5FLXRG332579	04799843AC
3C63RRHL8RG333584	04799843AC
3C6UR5EL3RG329539	04799814AC
3C6UR5ELXRG329540	04799843AC
3C6UR5DL1RG331047	04799814AC
3C6UR5HL4RG328542	04799843AC
3C63RRHL2RG333810	04799814AC
3C6UR5CL2RG330877	04799843AC
3C6UR5CL9RG331007	04799843AC
3C63R3DL6RG333912	04799843AC
3C63R3DL8RG333913	04799816AC
3C6UR5CL9RG331010	04799814AC
3C63R3DLXRG333914	04799814AC
3C6UR5EL8RG328595	04799843AC
3C6UR5CL2RG330961	04799843AC
3C63R3ELXRG334155	04799843AC
3C63R3GL9RG333317	04799843AC
3C6UR5CL4RG329715	04799814AC
3C6UR5CL3RG331617	04799816AC
3C6UR5CL9RG331752	04799843AC
3C6UR5CL0RG331753	04799843AC
3C6UR5CL2RG331754	04799843AC
3C63R3CLXRG333686	04799843AC
3C6UR5HL6RG330700	04799814AC
3C6UR5DL0RG332724	04799843AC
3C6UR5DL8RG332728	04799843AC
3C63R3DL9RG334178	04799843AC
3C6UR5DL3RG331342	04799814AC
3C63RRGL6RG333259	04799843AC
3C6UR5CL4RG331965	04799814AC
3C6UR5CLXRG331839	04799843AC
3C6UR5CL6RG331966	04799814AC
3C6UR5DL0RG329855	04799843AC
3C6UR5CL1RG328893	04799843AC
3C63R3JL8RG333432	04799814AC
3C6UR5CL6RG330283	04799816AC
3C63RRJL3RG333437	04799843AC
3C6UR5HL4RG329688	04799843AC
3C6UR5HL6RG329689	04799843AC
3C63RRHL7RG333415	04799814AC
3C63RRJL5RG333343	04799814AC
3C6UR5CL9RG328902	04799843AC
3C6UR5CL6RG328906	04799843AC
3C6UR5CL8RG328907	04799843AC

VIN	Shim Part No.
3C6UR5CL8RG330561	04799843AC
3C6UR5CL1RG331194	04799843AC
3C6UR5DL0RG332271	04799843AC
3C6UR5CL7RG329045	04799843AC
3C63R3CL7RG333371	04799814AC
3C6UR5CL4RG329049	04799843AC
3C6UR5CL5RG328508	04799843AC
3C6UR5CL3RG328510	04799843AC
3C6UR5CL0RG328514	04799843AC
3C6UR5CL7RG330311	04799843AC
3C63RRJL3RG333454	04799814AC
3C63RRAL2RG333459	04799843AC
3C6UR5DL4RG330314	04799843AC
3C6UR5DL8RG329263	04799843AC
3C63R3CLXRG333722	04799843AC
3C6UR5EL7RG330984	04799843AC
3C63R3JL2RG335144	04799843AC
3C6UR5CL0RG332742	04799843AC
3C63RRAL7RG333473	04799843AC
3C6UR5SL7RG332819	04799843AC
3C6UR5DL5RG329379	04799843AC
3C6UR5DL3RG329381	04799843AC
3C63RRGL2RG328124	04799843AC
3C6UR5DL7RG331649	04799814AC
3C6UR5HL4RG328802	04799814AC
3C6UR5DL3RG319403	04799843AC
3C63RRGL9RG333644	04799843AC
3C6UR5FL0RG332672	04799843AC
3C63RRJL7RG333361	04799816AC
3C63R3CLXRG333364	04799816AC
3C63RRJL4RG333365	04799843AC
3C63RRGL4RG333745	04799843AC
3C6UR5CL7RG329403	04799814AC
3C6UR5DL6RG328984	04799814AC
3C63R3EL9RG333403	04799843AC
3C6UR5CL4RG329939	04799843AC
3C6UR5DL6RG337006	04799843AC
3C63RRGL1RG333492	04799814AC
3C6UR5EL5RG331602	04799843AC
3C63R3CL6RG333569	04799843AC
3C6UR5DL8RG348685	04799816AC
3C6UR5DL1RG348687	04799843AC
3C63R3CL0RG334300	04799843AC
3C63RRHL9RG334307	04799814AC
3C6UR5DL1RG319397	04799843AC

VIN	Shim Part No.
3C6UR5DLXRG347263	04799843AC
3C6UR5DLXRG336974	04799843AC
3C6UR5DL7RG336981	04799843AC
3C6UR5KL0RG349624	04799843AC
3C6UR5KL2RG349625	04799843AC
3C6UR5CL1RG332698	04799814AC
3C6UR5FL8RG324979	04799814AC
3C63RRJL6RG333710	04799843AC
3C63RRJL1RG333730	04799843AC
3C63RRHL9RG333755	04799843AC
3C6UR5CL2RG330801	04799843AC
3C6UR5SL8RG332800	04799816AC
3C6UR5FL7RG339439	04799816AC
3C63RRHL1RG333796	04799843AC
3C63RRHL3RG333797	04799843AC
3C6UR5FL6RG349640	04799843AC
3C6UR5DL8RG330879	04799843AC
3C6UR5DL4RG330880	04799843AC
3C6UR5DL3RG347279	04799816AC
3C63RRJL6RG339586	04799843AC
3C63R3HL3RG333828	04799843AC
3C6UR5DL1RG330934	Use procedure to determine.
3C6UR5CL6RG347133	04799843AC
3C6UR5DLXRG330950	04799816AC
3C6UR5DL5RG330953	04799816AC
3C6UR5NL9RG349472	04799843AC
3C63R3CL3RG333867	04799843AC
3C6UR5FL0RG345891	04799843AC
3C63R3HL1RG333889	04799843AC
3C63R3CL0RG333891	04799816AC
3C63R3CL6RG333894	04799843AC
3C6UR5FL7RG345905	04799816AC
3C6UR5DL9RG345911	04799816AC
3C6UR5DL3RG331020	04799816AC
3C6UR5FL8RG345931	04799843AC
3C6UR5FL6RG331073	04799816AC
3C63RRHL3RG334058	04799816AC
3C63RRHL5RG334059	04799816AC
3C63RRHL7RG334077	04799816AC
3C63RRHL3RG334089	04799817AC
3C63R3CL8RG334092	04799814AC
3C63RRAL1RG346641	04799843AC
3C63R3DL8RG337380	04799816AC
3C63RRHLXRG346661	04799843AC
3C63R3HL2RG345095	04799843AC

VIN	Shim Part No.
3C63R3CL4RG335174	04799843AC
3C63RRGL3RG338015	04799843AC
3C6UR5DL3RG338761	04799843AC
3C63RRHLXRG334168	04799843AC
3C6UR5FL0RG339461	04799843AC
3C63RRGL9RG338018	04799843AC
3C6UR5FL1RG339484	04799843AC
3C6UR5DLXRG329359	04799843AC
3C63R3HL4RG334194	04799843AC
3C6UR5HL0RG349484	04799843AC
3C63R3ELXRG334205	04799843AC
3C63R3DL8RG333247	04799843AC
3C6UR5FL0RG345549	04799816AC
3C63R3SL8RG347118	04799843AC
3C6UR5DL1RG331467	Use procedure to determine.
3C6UR5CLXRG345594	04799843AC
3C6UR5HL6RG347299	04799843AC
3C6UR5JL9RG336937	04799816AC
3C6UR5FL8RG345640	04799843AC
3C6UR5CL0RG331591	04799816AC
3C6UR5CL4RG331612	04799843AC
3C6UR5SL9RG331686	04799843AC
3C63RRHL9RG336008	04799843AC
3C6UR5CL0RG347323	04799843AC
3C6UR5FL6RG338119	04799814AC
3C6UR5FL3RG349532	04799843AC
3C6UR5CL9RG331721	04799843AC
3C63RRGL1RG341611	04799843AC
3C63RRHL1RG346581	04799816AC
3C6UR5CLXRG331971	04799816AC
3C6UR5FL0RG347348	04799816AC
3C6UR5FL9RG347350	04799816AC
3C6UR5CLXRG329881	04799843AC
3C63R3GL3RG333345	04799843AC
3C6UR5NL5RG329915	04799843AC
3C6UR5FL1RG332048	04799816AC
3C6UR5FL3RG332049	04799843AC
3C6UR5NL2RG349541	04799816AC
3C6UR5NL2RG328947	04799843AC
3C6UR5DLXRG332083	Use procedure to determine.
3C6UR5CL6RG332129	04799843AC
3C6UR5CL1RG347475	04799843AC
3C6UR5NL3RG349550	04799843AC
3C6UR5FLXRG349558	04799843AC
3C6UR5FL8RG349560	04799843AC

VIN	Shim Part No.
3C6UR5CL7RG328994	04799843AC
3C6UR5FL2RG347514	04799816AC
3C6UR5DL7RG349424	04799843AC
3C6UR5DL9RG349425	04799843AC
3C6UR5DL0RG349426	04799843AC
3C6UR5DL4RG349428	04799816AC
3C6UR5CL1RG347556	04799843AC
3C6UR5CL0RG332286	04799843AC
3C6UR5CL4RG332291	04799843AC
3C6UR5CLXRG332294	04799843AC
3C6UR5DL1RG330223	04799816AC
3C6UR5CL0RG329081	04799843AC
3C6UR5FL6RG332370	04799843AC
3C6UR5DLXRG332407	04799843AC
3C63R3RL0RG335096	04799816AC
3C6UR5FL2RG341227	04799814AC
3C6UR5DL4RG330412	Use procedure to determine.
3C6UR5JL3RG349716	04799843AC
3C6UR5FL6RG349721	04799843AC
3C6UR5HL2RG332881	04799843AC
3C6UR5CL6RG332521	04799843AC
3C6UR5FL7RG332524	04799816AC
3C6UR5DL0RG332545	04799816AC
3C6UR5CL7RG346007	04799843AC
3C6UR5FL8RG349672	04799843AC
3C63RRHL5RG334062	04799843AC
3C63RRGL2RG333971	04799816AC
3C6UR5FL6RG334829	04799816AC
3C63RRJLXRG345133	04799816AC
3C6UR5DL1RG331727	04799843AC
3C63RRHL7RG333995	04799816AC
3C6UR5CL8RG329510	04799816AC
3C6UR5CL0RG331168	04799816AC
3C63RRHL6RG333809	04799843AC
3C6UR5FL3RG345920	04799843AC
3C6UR5FL8RG347310	04799843AC
3C6UR5DL7RG330954	04799843AC
3C6UR5DL9RG330955	04799814AC
3C6UR5DLXRG345867	04799843AC
3C6UR5CL1RG331311	04799843AC
3C63RRHL7RG346570	04799816AC
3C6UR5FL7RG331759	04799843AC
3C6UR5DL4RG332726	04799843AC
3C6UR5DLXRG349417	04799816AC
3C6UR5DL3RG349419	04799843AC

VIN	Shim Part No.
3C6UR5DL2RG347340	04799816AC
3C6UR5CL1RG329087	04799814AC
3C6UR5CL3RG329088	04799816AC
3C6UR5DL0RG331203	04799843AC
3C63RRHL5RG333932	04799816AC
3C63RRKL4RG335986	04799843AC
3C6UR5CL5RG332512	04799843AC
3C63RRGL1RG338031	04799843AC
3C6UR5NLXRG345656	04799814AC
3C63R3EL4RG334202	04799843AC
3C63R3EL8RG334204	04799843AC
3C6UR5FL7RG347444	04799816AC
3C63RRHL1RG334141	04799816AC
3C63RRHL5RG334143	04799816AC
3C6UR5FL1RG347410	04799843AC
3C6UR5DL2RG345507	04799816AC
3C6UR5CL0RG329937	04799843AC
3C6UR5NL9RG335779	04799816AC
3C6UR5FLXRG346014	04799843AC
3C63RRALXRG334293	04799843AC
3C6UR5HL4RG332610	04799843AC
3C6UR5HLXRG332613	04799843AC
3C6UR5CL7RG332625	04799843AC
3C6UR5CL0RG332627	Use procedure to determine.
3C6UR5DL0RG330603	04799843AC
3C63R3DL6RG333621	04799843AC
3C6UR5DL3RG328487	04799843AC
3C6UR5DL6RG329231	04799843AC
3C6UR5CL5RG330663	Use procedure to determine.
3C6UR5CL9RG356568	Use procedure to determine.
3C6UR5CL9RG332755	04799814AC
3C6UR5FL1RG325021	04799816AC
3C6UR5FL7RG334662	04799843AC
3C6UR5FL7RG325024	04799843AC
3C6UR5CL5RG330775	04799843AC
3C63RRHL0RG333739	04799816AC
3C63RRGL9RG333742	04799843AC
3C63RRHL0RG333790	04799843AC
3C6UR5HL3RG328533	04799843AC
3C6UR5HL2RG329303	04799843AC
3C63RRHL1RG333829	04799843AC
3C63RRGL5RG360159	Use procedure to determine.
3C63RRHL5RG333929	04799843AC
3C6UR5DL4RG331043	04799843AC
3C6UR5DL8RG331045	04799816AC

VIN	Shim Part No.
3C63RRNL8RG360269	Use procedure to determine.
3C6UR5DL7RG331120	04799814AC
3C6UR5FL5RG331145	04799843AC
3C63RRHLXRG350452	04799843AC
3C6UR5DL6RG328631	04799814AC
3C63R3KL8RG335972	04799843AC
3C6UR5DL3RG331258	Use procedure to determine.
3C6UR5FL1RG359802	Use procedure to determine.
3C63R3DLXRG334173	04799843AC
3C6UR5CL2RG331348	Use procedure to determine.
3C6UR5DL6RG329360	04799814AC
3C6UR5DLXRG331354	Use procedure to determine.
3C63RRHL5RG333266	04799816AC
3C6UR5DL4RG329406	04799816AC
3C6UR5DL6RG329407	04799816AC
3C6UR5DLXRG329426	04799843AC
3C6UR5DL2RG331414	04799816AC
3C63R3CL5RG334261	04799816AC
3C6UR5DLXRG329524	04799814AC
3C6UR5EL8RG336955	04799843AC
3C6UR5CL9RG331508	04799816AC
3C6UR5FL5RG335826	Use procedure to determine.
3C6UR5EL7RG335862	Use procedure to determine.
3C6UR5DL1RG329671	04799843AC
3C6UR5DL3RG329672	04799814AC
3C6UR5FL5RG338113	04799816AC
3C6UR5HL4RG329724	Use procedure to determine.
3C6UR5EL7RG331925	Use procedure to determine.
3C6UR5SL3RG331957	Use procedure to determine.
3C6UR5DL7RG331974	04799814AC
3C6UR5CL2RG331852	04799816AC
3C6UR5DL3RG329882	04799843AC
3C6UR5DL7RG329884	04799843AC
3C6UR5CL9RG328916	04799843AC
3C6UR5DL8RG328937	04799843AC
3C6UR5FL4RG339687	04799814AC
3C6UR5CL8RG329958	04799843AC
3C6UR5EL9RG332073	Use procedure to determine.
3C6UR5CLXRG329993	04799843AC
3C6UR5CL2RG330023	04799843AC
3C6UR5JL3RG327120	04799814AC
3C6UR5CL0RG330053	04799843AC
3C6UR5CL2RG330121	Use procedure to determine.
3C6UR5DL6RG355036	Use procedure to determine.
3C63R3CLXRG333381	04799843AC

VIN	Shim Part No.
3C6UR5DL6RG332288	04799816AC
3C6UR5CL3RG329057	Use procedure to determine.
3C6UR5DL7RG330212	04799843AC
3C6UR5HL5RG330218	04799814AC
3C63RRGL6RG333410	04799816AC
3C6UR5FL6RG332353	04799843AC
3C63R3HL7RG333430	04799843AC
3C6UR5FL7RG341224	04799843AC
3C6UR5DL4RG332371	04799843AC
3C6UR5HL0RG332376	04799843AC
3C63RRHL4RG333467	04799816AC
3C6UR5HL4RG332817	04799843AC
3C6UR5CL2RG332841	04799843AC
3C63RRGL1RG333489	Use procedure to determine.
3C6UR5FLXRG330461	04799816AC
3C6UR5DL7RG332882	04799814AC
3C6UR5DL9RG332883	04799843AC
3C6UR5DL3RG332541	Use procedure to determine.
3C6UR5FL9RG332573	04799843AC
3C6UR5DL8RG329747	04799816AC
3C6UR5DL9RG329546	04799843AC
3C6UR5DL5RG330676	04799843AC
3C6UR5EL8RG336941	Use procedure to determine.
3C6UR5DL3RG331048	04799843AC
3C63RRGL1RG333945	04799816AC
3C6UR5DL0RG328592	04799843AC
3C6UR5CL9RG329337	Use procedure to determine.
3C6UR5DL1RG329315	04799816AC
3C6UR5FL8RG350885	Use procedure to determine.
3C6UR5CL2RG331141	04799843AC
3C6UR5CL7RG332799	Use procedure to determine.
3C63R3EL1RG335999	04799816AC
3C6UR5DL7RG329769	04799843AC
3C63R3CL1RG333687	04799816AC
3C6UR5DL9RG332723	04799843AC
3C6UR5DL2RG330702	04799816AC
3C63R3GL8RG337388	04799843AC
3C6UR5FL3RG336957	Use procedure to determine.
3C63R3CL2RG333312	04799814AC
3C63RRJL2RG333414	04799814AC
3C6UR5CL0RG328903	Use procedure to determine.
3C6UR5CL4RG328905	04799816AC
3C63R3HLXRG333373	04799843AC
3C6UR5CL2RG328515	04799814AC
3C6UR5CL8RG328518	04799843AC

VIN	Shim Part No.
3C63RRHLXRG333537	04799843AC
3C6UR5DL4RG329471	04799843AC
3C6UR5CL0RG356359	Use procedure to determine.
3C6UR5HL0RG328750	04799816AC
3C6UR5JLXRG332430	04799843AC
3C63RRGL4RG333549	04799843AC
3C6UR5HL4RG332090	Use procedure to determine.
3C6UR5DL3RG331647	04799816AC
3C6UR5EL1RG336988	Use procedure to determine.
3C6UR5DL8RG330011	04799843AC
3C63RRGL0RG333743	04799816AC
3C63RRGL6RG333746	04799843AC
3C63RRGL8RG333747	04799816AC
3C63RRGLXRG333748	04799843AC
3C6UR5DL6RG331884	04799843AC
3C63RRHL2RG333497	04799843AC
3C6UR5DL2RG331770	04799843AC
3C6UR5DL9RG330518	04799843AC
3C63R3HL2RG335103	04799816AC
3C6UR5FL3RG336196	04799816AC
3C6UR5GL9RG336198	04799843AC
3C6UR5DL5RG319399	04799843AC
3C6UR5CL3RG332640	04799843AC
3C6UR5DLXRG319401	Use procedure to determine.
3C63RRJL0RG334318	04799816AC
3C6UR5DL9RG327568	04799817AC
3C6UR5FL7RG332720	04799816AC
3C6UR5FL1RG332731	04799843AC
3C63RRHL6RG333714	04799843AC
3C6UR5SL3RG332767	04799843AC
3C6UR5DL7RG328556	04799843AC
3C63RRJL1RG333727	04799843AC
3C6UR5DL4RG334766	04799816AC
3C6UR5CLXRG335194	04799816AC
3C6UR5CL1RG332801	04799843AC
3C6UR5FL4RG332805	04799816AC
3C63R3JL0RG333781	04799843AC
3C63R3JL2RG333782	04799843AC
3C6UR5EL7RG330855	04799816AC
3C6UR5FL2RG330910	04799816AC
3C6UR5FL3RG330916	04799843AC
3C6UR5FL1RG330932	04799816AC
3C63RRGL1RG333847	04799814AC
3C6UR5FL6RG330943	04799816AC
3C63R3JL4RG333850	04799843AC

VIN	Shim Part No.
3C63RRJL3RG333857	04799843AC
3C63R3CL1RG333866	04799843AC
3C6UR5CL1RG330966	04799816AC
3C63R3CL5RG333868	04799816AC
3C63R3JL3RG334018	04799817AC
3C63R3CL4RG333893	04799817AC
3C6UR5EL3RG330996	04799843AC
3C6UR5DL5RG331018	04799843AC
3C63RRHL3RG333928	04799816AC
3C63R3CL9RG333937	04799816AC
3C63RRHL0RG334051	04799843AC
3C63RRHL2RG334052	04799816AC
3C63RRHL4RG334053	04799843AC
3C6UR5DL8RG331062	04799816AC
3C6UR5DLXRG331063	04799843AC
3C6UR5CL5RG334826	04799816AC
3C63R3CL4RG333957	04799843AC
3C63R3CL6RG333958	04799843AC
3C63R3CL8RG333959	04799816AC
3C63R3CL6RG333961	04799843AC
3C6UR5DL2RG334832	04799843AC
3C6UR5FL7RG334841	04799843AC
3C6UR5DL0RG331122	04799816AC
3C6UR5FL9RG334842	04799816AC
3C6UR5CL5RG334843	04799843AC
3C63RRHL4RG334084	04799816AC
3C6UR5CL0RG334846	04799843AC
3C6UR5CL2RG334847	04799816AC
3C63RRHLXRG334087	04799843AC
3C63RRHL1RG334088	04799843AC
3C6UR5EL3RG334854	04799843AC
3C6UR5CL0RG331235	04799816AC
3C63RRHL9RG335165	04799816AC
3C63R3HL7RG335176	04799843AC
3C6UR5EL7RG331276	04799816AC
3C63RRHL3RG334139	04799814AC
3C63R3EL4RG334183	04799843AC
3C63RRJL7RG334185	04799843AC
3C6UR5DLXRG334674	04799816AC
3C63R3EL3RG334188	04799816AC
3C63R3EL5RG334189	04799817AC
3C63R3EL3RG334191	04799816AC
3C63RRHL5RG334210	04799843AC
3C63RRHL6RG334216	04799843AC
3C6UR5DL6RG331397	04799843AC

VIN	Shim Part No.
3C6UR5DL8RG331398	04799816AC
3C63R3HL4RG334227	04799843AC
3C63RRJL0RG334240	04799843AC
3C63RRJL2RG334241	04799843AC
3C63RRJL6RG334243	04799816AC
3C6UR5DL6RG334669	04799843AC
3C6UR5CL9RG331492	04799816AC
3C6UR5CL4RG331500	04799816AC
3C63R3JL2RG334270	04799816AC
3C6UR5DL3RG334676	04799814AC
3C6UR5CL9RG331556	04799816AC
3C6UR5FL0RG335832	04799843AC
3C6UR5SL5RG335833	04799816AC
3C6UR5CL6RG331613	04799814AC
3C6UR5CL8RG331614	04799843AC
3C6UR5FL4RG335848	04799816AC
3C6UR5FL2RG335850	04799843AC
3C6UR5FL4RG335851	04799816AC
3C6UR5DL4RG331656	04799843AC
3C6UR5FLXRG331903	04799816AC
3C6UR5ELXRG331904	04799816AC
3C6UR5CLXRG331744	04799816AC
3C6UR5DL4RG334699	04799816AC
3C6UR5DL2RG331767	04799814AC
3C6UR5EL5RG331924	04799843AC
3C6UR5EL0RG331796	04799843AC
3C6UR5CL5RG331960	04799843AC
3C6UR5EL1RG329846	04799843AC
3C6UR5DL4RG334704	04799843AC
3C6UR5DL6RG334705	04799816AC
3C6UR5EL6RG331978	04799816AC
3C6UR5HL1RG332032	04799814AC
3C6UR5HL1RG329941	04799816AC
3C6UR5CL9RG332075	04799816AC
3C6UR5DL3RG332085	04799816AC
3C6UR5DL5RG332086	04799814AC
3C6UR5DL7RG334681	Use procedure to determine.
3C6UR5CL7RG332107	04799843AC
3C6UR5CL0RG332109	04799843AC
3C6UR5CL4RG332128	04799843AC
3C6UR5CL3RG332153	04799843AC
3C6UR5FL1RG332163	04799816AC
3C6UR5CL7RG330065	Use procedure to determine.
3C6UR5CL5RG332185	04799843AC
3C6UR5CL7RG332186	04799843AC

VIN	Shim Part No.
3C6UR5SL7RG332190	04799816AC
3C6UR5GL5RG327188	04799816AC
3C6UR5CL3RG332234	04799816AC
3C6UR5DL9RG334732	04799816AC
3C6UR5CL3RG332296	04799814AC
3C6UR5FL4RG332349	04799843AC
3C6UR5CL4RG332355	04799816AC
3C6UR5CL9RG329080	04799816AC
3C63R3RL2RG335097	04799816AC
3C6UR5HL2RG334792	04799816AC
3C6UR5EL6RG332421	04799843AC
3C6UR5EL8RG332422	04799816AC
3C6UR5DL2RG334796	04799843AC
3C6UR5CL0RG330375	04799843AC
3C6UR5FL9RG332444	04799843AC
3C6UR5FL0RG332445	04799816AC
3C6UR5FL8RG332449	04799817AC
3C6UR5FL4RG332450	04799816AC
3C6UR5CL0RG332465	04799816AC
3C6UR5DL0RG334747	04799816AC
3C6UR5EL1RG332469	04799816AC
3C6UR5EL8RG332470	04799816AC
3C6UR5DL8RG330414	04799816AC
3C6UR5DLXRG330415	04799843AC
3C63R3EL8RG337409	04799816AC
3C6UR5CL4RG332517	Use procedure to determine.
3C6UR5CL6RG332518	04799816AC
3C6UR5CL8RG332519	04799843AC
3C6UR5DL4RG332547	04799843AC
3C6UR5FL8RG332581	04799816AC
3C6UR5DL0RG334828	04799816AC
3C6UR5FL9RG331892	04799817AC
3C6UR5DL7RG331893	04799816AC
3C6UR5CL4RG331948	04799816AC
3C6UR5EL6RG336999	04799816AC
3C6UR5CL5RG331490	04799843AC
3C6UR5CL9RG334814	04799843AC
3C6UR5DL2RG334815	04799843AC
3C63RRJL9RG333944	04799814AC
3C6UR5DL8RG334818	04799843AC
3C6UR5FL3RG334819	Use procedure to determine.
3C6UR5DL1RG334692	04799843AC
3C6UR5FL0RG334857	04799816AC
3C6UR5FL2RG334858	04799843AC
3C6UR5FL4RG334859	04799817AC

VIN	Shim Part No.
3C6UR5DL9RG334861	04799817AC
3C6UR5CLXRG330920	04799843AC
3C6UR5CL0RG330926	04799843AC
3C63R3AL1RG335121	04799814AC
3C6UR5CL4RG331139	04799816AC
3C63RRJL8RG334082	04799816AC
3C6UR5CL6RG330803	04799843AC
3C6UR5CLXRG330805	04799816AC
3C63RRGL1RG333766	Use procedure to determine.
3C63RRHLXRG334008	04799843AC
3C6UR5CL0RG330960	04799843AC
3C63R3GL1RG333862	04799816AC
3C63R3EL2RG336000	04799816AC
3C6UR5DL1RG329766	04799814AC
3C6UR5FL4RG331914	04799816AC
3C6UR5FL8RG331916	04799816AC
3C6UR5FLXRG331917	04799816AC
3C6UR5DL1RG334708	04799843AC
3C6UR5CL1RG331969	04799816AC
3C6UR5CL8RG331970	04799843AC
3C6UR5EL3RG328651	04799816AC
3C6UR5EL7RG329219	04799843AC
3C6UR5CL1RG329879	04799843AC
3C63R3HL3RG335093	04799843AC
3C63R3HL6RG335105	04799843AC
3C6UR5CL1RG332605	04799816AC
3C6UR5CL7RG331197	04799843AC
3C6UR5CL9RG331198	04799843AC
3C63RRHL9RG334114	04799843AC
3C6UR5FL4RG336885	04799843AC
3C6UR5DL2RG332272	04799816AC
3C6UR5FL8RG332273	04799816AC
3C6UR5DL4RG334735	04799814AC
3C63RRHL2RG333788	04799843AC
3C6UR5FL1RG332387	04799817AC
3C6UR5GL4RG335282	04799843AC
3C6UR5CL1RG332510	04799816AC
3C6UR5CL3RG332511	04799816AC
3C63R3CL1RG333723	04799816AC
3C6UR5EL3RG330982	04799816AC
3C6UR5CL6RG332230	04799843AC
3C63R3DL5RG335439	04799843AC
3C63R3DL1RG335440	04799843AC
3C63R3DL3RG335441	04799843AC
3C6UR5FL2RG332835	04799843AC

VIN	Shim Part No.
3C6UR5FL0RG332459	04799816AC
3C6UR5FL7RG332460	04799843AC
3C6UR5CL5RG332428	04799816AC
3C6UR5CL7RG332429	04799843AC
3C6UR5FL0RG332431	04799816AC
3C6UR5CL4RG332887	04799816AC
3C6UR5HL6RG332091	04799843AC
3C6UR5HL0RG334807	04799843AC
3C6UR5HL2RG334808	04799816AC
3C6UR5HL0RG334810	04799843AC
3C6UR5EL1RG336859	04799816AC
3C6UR5DL3RG331650	04799816AC
3C6UR5DL5RG335327	04799814AC
3C63RRHL5RG334224	04799813AC
3C6UR5FL5RG332649	04799843AC
3C63R3CL0RG334314	04799816AC
3C63R3CL4RG333750	04799843AC
3C6UR5DL2RG334670	04799816AC
3C6UR5DL0RG334716	04799816AC
3C6UR5CL4RG332405	04799843AC
3C6UR5DL4RG331771	04799814AC
3C6UR5DL6RG331772	04799843AC
3C6UR5FL0RG332557	04799816AC
3C6UR5CL6RG331580	04799817AC
3C6UR5EL4RG329212	04799814AC
3C6UR5ELXRG339923	04799816AC
3C6UR5EL7RG338776	04799816AC
3C6UR5CL0RG336967	04799816AC
3C6UR5DL6RG334753	04799816AC
3C6UR5DL8RG334754	04799816AC
3C63R3GL9RG335472	04799843AC
3C63RRJL2RG334319	04799816AC
3C6UR5FL4RG336997	04799843AC
3C6UR5ELXRG332700	04799817AC
3C6UR5DL3RG334760	04799816AC
3C6UR5SLXRG332765	04799816AC
3C6UR5CL3RG332802	04799816AC
3C63RRGL0RG337999	04799817AC
3C63RRHLXRG333845	04799816AC
3C63R3CL8RG333864	04799843AC
3C63R3CL7RG333869	04799816AC
3C63R3CL5RG333871	04799816AC
3C63RRAL3RG334023	04799817AC
3C6UR5EL3RG337902	04799816AC
3C63R3CL1RG335214	04799816AC

VIN	Shim Part No.
3C63R3CL3RG335215	04799816AC
3C63R3CL5RG335216	04799843AC
3C63R3CL8RG334044	04799843AC
3C63RRHL8RG334055	04799843AC
3C63RRGL3RG333977	04799817AC
3C63RRGL7RG333979	04799816AC
3C6UR5DL4RG334833	04799816AC
3C63R3CL5RG335118	04799816AC
3C63RRHL9RG334078	04799843AC
3C63RRJL6RG334002	04799843AC
3C63RRHL0RG334096	04799816AC
3C63RRJL1RG334103	04799816AC
3C6UR5FL5RG304818	04799843AC
3C63RRHL3RG337395	04799843AC
3C6UR5CL3RG331259	04799816AC
3C63RRHL6RG334135	04799816AC
3C63RRHL8RG334136	04799843AC
3C6UR5FLXRG338799	04799843AC
3C63RRJL1RG334165	04799816AC
3C6UR5FL6RG339495	04799816AC
3C63RRHL4RG334215	04799816AC
3C63R3GL4RG333242	04799816AC
3C6UR5EL4RG335334	04799817AC
3C6UR5DL1RG334675	04799843AC
3C63RRJL3RG337374	04799817AC
3C63R3HL8RG335090	04799814AC
3C63R3EL8RG337359	04799843AC
3C6UR5SL9RG324169	04799816AC
3C6UR5DL2RG334698	04799817AC
3C6UR5HL7RG331998	04799816AC
3C6UR5FL6RG339688	04799814AC
3C6UR5FL8RG339689	04799816AC
3C63R3CL5RG335152	04799843AC
3C6UR5DL6RG334719	04799816AC
3C6UR5DL5RG334680	04799816AC
3C6UR5CL9RG332111	04799816AC
3C63RRHL6RG339772	04799814AC
3C6UR5HL1RG332161	04799816AC
3C6UR5HL3RG332162	04799843AC
3C6UR5CL0RG332174	04799843AC
3C6UR5EL1RG329006	04799843AC
3C6UR5CL7RG334729	04799816AC
3C6UR5DL7RG332252	04799817AC
3C63RRGL2RG333386	04799843AC
3C6UR5CL3RG332332	04799817AC

VIN	Shim Part No.
3C6UR5CL5RG332333	04799843AC
3C6UR5FL8RG332354	04799843AC
3C63RRRL0RG335098	04799816AC
3C6UR5DL7RG334793	04799843AC
3C6UR5HL5RG332826	04799817AC
3C6UR5DL4RG334797	04799843AC
3C6UR5CL2RG332466	04799843AC
3C6UR5EL0RG332480	04799816AC
3C6UR5DL4RG334749	04799843AC
3C6UR5CL6RG332857	04799843AC
3C63R3FL3RG335923	04799817AC
3C6UR5DL3RG335309	04799843AC
3C6UR5EL9RG329190	04799816AC
3C63R3GLXRG337988	04799843AC
3C63RRHL3RG334061	04799817AC
3C63RRGL0RG333970	04799814AC
3C63RRGL4RG333972	04799816AC
3C63RRGL6RG333973	04799816AC
3C63RRGL8RG333974	04799816AC
3C63RRGLXRG333975	04799816AC
3C6UR5SLXRG324164	04799843AC
3C63R3HL2RG335117	04799814AC
3C63RRHL8RG334069	04799816AC
3C63RRHL4RG334070	04799816AC
3C6UR5DL3RG335701	04799817AC
3C6UR5JL7RG335267	04799816AC
3C6UR5ELXRG336942	04799843AC
3C6UR5DL8RG331482	04799816AC
3C6UR5DL4RG334668	04799814AC
3C63R3GL0RG338003	04799843AC
3C63RRGL4RG333907	04799817AC
3C6UR5CL4RG330959	04799817AC
3C63R3GL8RG333860	04799843AC
3C63R3GLXRG333861	04799816AC
3C63R3CL6RG333863	04799816AC
3C6UR5CLXRG331310	04799843AC
3C6UR5HL9RG334725	04799816AC
3C6UR5DL6RG331691	04799816AC
3C6UR5CL4RG335840	04799816AC
3C6UR5DL5RG332203	04799816AC
3C6UR5DL7RG332204	04799816AC
3C6UR5FL5RG339472	04799816AC
3C6UR5DL1RG331341	04799814AC
3C6UR5EL1RG328650	04799843AC
3C6UR5CL5RG332140	04799817AC

VIN	Shim Part No.
3C6UR5CL3RG332346	04799817AC
3C6UR5CL5RG332347	04799816AC
3C6UR5HL0RG331986	04799816AC
3C63RRHL6RG334104	04799843AC
3C63RRHL5RG334112	04799816AC
3C63RRHL7RG334113	04799843AC
3C63RRHL1RG333930	04799816AC
3C63RRGL5RG333933	04799817AC
3C63RRHL4RG335171	04799816AC
3C63RRJL4RG334130	04799814AC
3C6UR5CL5RG332509	04799816AC
3C6UR5CL7RG332513	04799817AC
3C6UR5CL9RG332514	04799817AC
3C6UR5DL8RG334799	04799843AC
3C6UR5DL0RG334800	04799816AC
3C6UR5DL2RG332837	04799816AC
3C6UR5CL5RG335295	04799843AC
3C6UR5HL6RG331281	04799816AC
3C63RRHL3RG334142	04799816AC
3C6UR5CL8RG331287	04799816AC
3C6UR5FL5RG336989	04799816AC
3C63RRHL7RG334211	04799843AC
3C6UR5CLXRG332473	04799816AC
3C6UR5EL6RG332855	04799816AC
3C6UR5CL4RG332856	04799816AC
3C63R3CLXRG335454	04799814AC
3C6UR5DL0RG319391	04799816AC
3C6UR5DL2RG319392	04799817AC
3C6UR5CL2RG336968	04799843AC
3C6UR5CL0RG336970	04799814AC
3C6UR5CL2RG336971	04799843AC
3C6MR5AL0RG336972	04799843AC
3C6UR5DL8RG336973	04799816AC
3C63R3CL5RG335474	04799816AC
3C6UR5DL9RG336979	04799816AC
3C6UR5DL0RG336983	04799843AC
3C6UR5FL6RG324916	04799843AC
3C6UR5FL3RG324923	04799814AC
3C6UR5FL5RG324941	04799843AC
3C6UR5FL8RG322021	04799816AC
3C6UR5GL2RG330694	04799814AC
3C6UR5FL7RG322026	04799816AC
3C6UR5GLXRG332760	04799814AC
3C6UR5GL1RG332761	04799843AC
3C6UR5ELXRG336844	04799843AC

VIN	Shim Part No.
3C63RRGL5RG333740	04799843AC
3C6UR5DLXRG330785	04799817AC
3C63R3HL0RG333771	04799843AC
3C6UR5GLXRG332807	04799843AC
3C6UR5GL8RG327721	04799816AC
3C6UR5EL9RG330937	04799843AC
3C63RRGL4RG338007	04799814AC
3C63RRGL6RG335433	04799843AC
3C6UR5JL9RG336193	04799816AC
3C63RRHLXRG334073	04799816AC
3C63R3HLXRG335124	04799816AC
3C6UR5FL2RG304839	04799816AC
3C63R3DL3RG337383	04799843AC
3C6UR5FL6RG304861	04799816AC
3C6UR5FL0RG336897	04799843AC
3C6UR5FL5RG337835	04799816AC
3C6UR5FL2RG337856	04799843AC
3C6UR5FL8RG339479	04799816AC
3C6UR5DL7RG347284	04799816AC
3C63R3HL4RG337323	Use procedure to determine.
3C63R3HL8RG337325	04799816AC
3C63RRHL9RG333271	04799843AC
3C6UR5DL9RG335721	04799816AC
3C6UR5DL0RG336840	04799843AC
3C6UR5DL2RG336841	04799814AC
3C6UR5DL4RG336842	04799816AC
3C63RRJL7RG334235	04799843AC
3C6UR5DL0RG336904	04799843AC
3C6UR5DL2RG336905	04799843AC
3C63RRJL8RG334244	04799816AC
3C6UR5ELXRG336911	04799814AC
3C6UR5CL4RG336924	04799816AC
3C6UR5CL6RG336925	04799843AC
3C6UR5CL8RG336926	04799816AC
3C6UR5CL1RG336931	04799843AC
3C6UR5CL5RG336933	04799843AC
3C63RRKL5RG335978	04799843AC
3C6UR5JL2RG336939	04799813AC
3C6UR5CL9RG336949	04799814AC
3C63R3EL9RG345048	04799816AC
3C6UR5CL8RG335825	04799813AC
3C6UR5CL9RG335834	04799816AC
3C6UR5CL0RG335835	04799843AC
3C6UR5DL2RG335852	04799816AC
3C6UR5DL4RG335853	04799816AC

VIN	Shim Part No.
3C6UR5DL6RG335854	04799843AC
3C6UR5DL5RG335859	04799843AC
3C6UR5CL6RG336858	04799816AC
3C6UR5CL5RG335863	04799843AC
3C6UR5FL6RG324138	04799816AC
3C6UR5FL8RG324139	04799816AC
3C6UR5FL4RG324140	04799843AC
3C6UR5FL8RG324142	04799817AC
3C6UR5FLXRG324143	04799817AC
3C6UR5FL1RG324144	04799843AC
3C63R3EL6RG335996	04799816AC
3C63R3DL5RG337353	04799816AC
3C63R3HL1RG337358	04799843AC
3C63RRHL8RG337361	04799816AC
3C6UR5SL1RG324165	04799816AC
3C6UR5SL3RG324166	04799843AC
3C6UR5SL5RG324167	04799816AC
3C6UR5SL7RG324171	04799817AC
3C6UR5SL6RG324176	04799816AC
3C6UR5SL8RG324177	04799816AC
3C6UR5SLXRG324178	04799843AC
3C6UR5SL1RG324179	04799816AC
3C6UR5DL2RG335639	04799843AC
3C6UR5NL3RG328942	04799816AC
3C6UR5FL8RG334654	04799843AC
3C6UR5DL0RG336837	04799814AC
3C6UR5DL2RG336838	04799843AC
3C6UR5DL4RG336839	04799816AC
3C63RRKL3RG339768	04799843AC
3C6UR5CL9RG332108	04799814AC
3C6UR5EL3RG330027	04799816AC
3C6UR5DL3RG335651	04799816AC
3C6UR5TL2RG332175	04799843AC
3C6UR5NL7RG328992	04799816AC
3C6UR5JL0RG335255	04799817AC
3C63RRGL6RG337263	04799843AC
3C63RRGL8RG337264	04799843AC
3C63R3GL5RG337266	04799814AC
3C6UR5SL9RG324124	04799843AC
3C6UR5EL1RG332858	04799843AC
3C6UR5DL1RG330447	04799843AC
3C6UR5CL7RG336870	04799814AC
3C6UR5CL9RG336871	04799816AC
3C6UR5CL4RG336874	04799816AC
3C6UR5CL1RG336878	04799843AC

VIN	Shim Part No.
3C6UR5HLXRG335303	04799843AC
3C6UR5CL2RG335304	04799816AC
3C6UR5CL4RG335305	04799843AC
3C6UR5CL6RG335306	04799816AC
3C6UR5CL8RG335307	04799843AC
3C6UR5GLXRG335318	04799843AC
3C6UR5CL4RG335319	04799843AC
3C6UR5EL0RG329191	04799843AC
3C63RRJL5RG335111	04799816AC
3C6UR5JL5RG335266	04799843AC
3C6UR5DL5RG335702	04799843AC
3C6UR5JL9RG335268	04799843AC
3C63R3GL7RG337284	04799814AC
3C63RRJL6RG334274	04799843AC
3C6UR5CL1RG336945	04799843AC
3C6UR5FL9RG334856	04799814AC
3C63R3FL8RG318518	04799816AC
3C63R3FLXRG318519	04799814AC
3C6UR5GLXRG327767	04799816AC
3C63RRGL9RG337287	04799816AC
3C6UR5GLXRG329003	04799814AC
3C6UR5FL4RG324154	04799816AC
3C63RRHL3RG336005	04799816AC
3C63RRHL5RG336006	04799843AC
3C6UR5CL6RG335841	04799843AC
3C6UR5SL0RG324173	04799843AC
3C63R3DL7RG337385	04799843AC
3C63R3FL5RG317486	04799816AC
3C6UR5FL5RG304849	04799843AC
3C6UR5HL9RG336958	04799816AC
3C6UR5DL3RG336959	04799843AC
3C6UR5DL5RG336963	04799843AC
3C6UR5HL4RG336964	04799843AC
3C6UR5EL5RG337710	04799814AC
3C6UR5EL3RG329220	04799843AC
3C6UR5FL5RG324132	04799843AC
3C6UR5HL4RG336916	04799816AC
3C6UR5TL1RG334712	04799816AC
3C63R3CL0RG337343	04799843AC
3C63RRHL8RG334105	04799843AC
3C63RRHLXRG334106	04799816AC
3C6UR5CL3RG336882	04799843AC
3C6UR5CL5RG336883	04799843AC
3C63RRGL7RG337319	04799843AC
3C6UR5CL5RG328511	04799843AC

VIN	Shim Part No.
3C6UR5CLXRG336815	04799843AC
3C6UR5EL6RG335285	04799843AC
3C6UR5JLXRG337708	04799816AC
3C63RRKL1RG337291	04799816AC
3C6UR5JL0RG335773	04799843AC
3C6UR5GL9RG329011	04799843AC
3C6UR5GL0RG329012	04799816AC
3C6UR5DL7RG336902	04799843AC
3C6UR5FL5RG325006	04799843AC
3C63RRGL3RG335423	04799843AC
3C6UR5EL7RG331360	04799814AC
3C6UR5CL3RG335294	04799843AC
3C6UR5CL7RG335296	04799816AC
3C6UR5DL0RG335302	04799816AC
3C6UR5CLXRG336877	04799816AC
3C6UR5CL7RG335864	04799816AC
3C6UR5DL3RG336881	04799816AC
3C6UR5DL1RG319402	04799843AC
3C63RRJL3RG335477	04799814AC
3C6UR5JLXRG336980	04799816AC
3C6UR5GL5RG328941	04799843AC
3C6UR5FL2RG324931	04799816AC
3C63RRGL4RG335429	04799816AC
3C63RRGL0RG335430	04799843AC
3C6UR5JL3RG335251	04799816AC
3C6UR5DL4RG335240	04799816AC
3C6UR5GL9RG331888	04799843AC
3C6UR5GL0RG331889	04799816AC
3C6UR5TL8RG334741	04799816AC
3C6UR5JL6RG335244	04799843AC
3C6UR5JL8RG335245	04799816AC
3C6UR5JLXRG335246	04799816AC
3C63RRGLXRG337265	04799843AC
3C6UR5DL8RG337007	04799816AC
3C6UR5DLXRG337011	04799814AC
3C6UR5GL3RG335824	04799816AC
3C6UR5DL6RG335322	04799843AC
3C6UR5DL8RG335323	04799843AC
3C6UR5CL6RG334804	04799843AC
3C63RRGL9RG335443	04799816AC
3C63R3EL3RG337348	04799843AC
3C63RRHL3RG334299	04799814AC
3C63R3HL8RG335459	04799817AC
3C6UR5FL1RG324886	04799843AC
3C63RRGL3RG335471	04799816AC

VIN	Shim Part No.
3C63RRALXRG335475	04799843AC
3C63R3GL8RG335446	04799843AC
3C6UR5FL0RG324944	04799814AC
3C6UR5FL8RG324951	04799816AC
3C6UR5FL1RG324967	04799843AC
3C6UR5FL7RG324973	04799816AC
3C6UR5FL6RG324978	04799814AC
3C6UR5FL4RG324980	04799843AC
3C6UR5FL8RG324982	04799816AC
3C6UR5FL0RG322028	04799814AC
3C6UR5FL6RG325001	04799843AC
3C6UR5FL3RG325019	04799816AC
3C6UR5DL7RG335247	04799843AC
3C6UR5FL5RG334661	04799843AC
3C6UR5FL5RG325023	04799816AC
3C6UR5FL9RG334663	04799816AC
3C63RRGL7RG337997	04799843AC
3C6UR5DL9RG330857	04799843AC
3C6UR5CL8RG343732	04799816AC
3C6UR5FL4RG316619	04799814AC
3C63RRGL4RG335432	04799817AC
3C6UR5HL3RG337894	04799816AC
3C6UR5FLXRG345932	04799817AC
3C63RRGL3RG337298	04799816AC
3C63RRGL3RG337303	04799843AC
3C6UR5NL1RG328602	04799814AC
3C63RRGL5RG333978	04799814AC
3C6UR5ELXRG345821	04799814AC
3C6UR5FL5RG345823	04799843AC
3C6UR5FL9RG304837	04799817AC
3C63RRHL7RG337397	04799843AC
3C63RRHL9RG337398	04799843AC
3C63RRGL4RG337312	04799843AC
3C63RRGL6RG337313	04799816AC
3C63RRGL8RG337314	04799843AC
3C6UR5DL6RG336891	04799843AC
3C6UR5FL5RG336894	04799843AC
3C6UR5CL2RG339675	04799843AC
3C6UR5FL2RG336898	04799816AC
3C6UR5FL9RG337837	04799843AC
3C6UR5FL8RG337862	04799816AC
3C6UR5FLXRG337863	04799816AC
3C6UR5FL2RG341695	04799816AC
3C6UR5SL7RG341696	04799816AC
3C63RRJL5RG334184	04799814AC

VIN	Shim Part No.
3C63RRGL4RG341604	04799843AC
3C6UR5CL9RG337891	04799816AC
3C6UR5CL0RG337892	04799816AC
3C6UR5NL9RG329416	04799816AC
3C6UR5DL4RG341698	04799816AC
3C6UR5FL4RG341701	04799843AC
3C6UR5CL0RG336922	04799843AC
3C6UR5CL3RG336932	04799843AC
3C6UR5FL1RG345625	04799843AC
3C6UR5FL5RG345630	04799843AC
3C63RRGL3RG337365	04799816AC
3C6UR5CL2RG337909	04799816AC
3C6UR5CL9RG337910	04799816AC
3C6UR5CL4RG336857	04799843AC
3C63RRHL1RG337377	04799816AC
3C6UR5FL6RG324141	04799816AC
3C6UR5FL0RG324149	04799843AC
3C6UR5SL7RG324168	04799816AC
3C6UR5SL5RG324170	04799816AC
3C6UR5SL9RG324172	04799816AC
3C6UR5FL0RG338066	04799816AC
3C6UR5JL7RG335253	04799814AC
3C6UR5JL9RG335254	04799843AC
3C6UR5FL1RG334656	04799843AC
3C6UR5FL5RG334658	04799843AC
3C6UR5FL2RG336819	04799816AC
3C6UR5FL4RG336823	04799816AC
3C6UR5FL5RG336829	04799814AC
3C6UR5CL9RG332173	04799816AC
3C6UR5EL6RG347081	04799817AC
3C63RRHL1RG350369	04799816AC
3C6UR5JL5RG335803	04799843AC
3C6UR5CL7RG337002	04799816AC
3C63RRGL7RG335425	04799843AC
3C63R3GL4RG337985	04799817AC
3C63RRGL2RG337986	04799843AC
3C63RRGL0RG341616	04799843AC
3C63R3GL2RG337273	04799843AC
3C63R3GL1RG337989	04799816AC
3C6UR5FL1RG324953	04799816AC
3C63RRGL6RG337330	04799816AC
3C63R3GL2RG338004	04799816AC
3C6UR5CL4RG337829	04799816AC
3C6UR5CL0RG337830	04799816AC
3C6UR5CL2RG337831	04799816AC

VIN	Shim Part No.
3C6UR5NLXRG335791	04799814AC
3C6UR5NL1RG335792	04799843AC
3C63RRGL7RG337286	04799843AC
3C6UR5FL0RG337869	04799843AC
3C6UR5FL7RG324150	Use procedure to determine.
3C6UR5FL6RG324155	04799843AC
3C6UR5FLXRG324157	04799843AC
3C6UR5JL9RG335836	04799843AC
3C6UR5CL6RG335838	04799843AC
3C6UR5FL7RG324987	04799814AC
3C6UR5FL0RG324992	04799816AC
3C63RRGL2RG335462	04799843AC
3C6UR5DL3RG336962	04799843AC
3C63R3CL2RG337344	04799843AC
3C63R3CL7RG338036	04799816AC
3C6UR5FL6RG304827	04799816AC
3C6UR5DL5RG343895	04799843AC
3C63R3GL2RG335426	04799843AC
3C6UR5DLXRG345884	04799843AC
3C6UR5FL1RG325004	04799816AC
3C63RRGL5RG335424	04799843AC
3C6UR5CL0RG345653	04799814AC
3C63RRGL6RG341605	04799816AC
3C63RRGL3RG341626	04799816AC
3C6UR5CL4RG345493	04799816AC
3C63RRHL5RG337270	04799816AC
3C6UR5CL9RG335297	04799816AC
3C6UR5NLXRG330493	04799843AC
3C6UR5FL3RG336831	04799843AC
3C6UR5FL9RG347445	04799817AC
3C6UR5HL8RG335865	04799816AC
3C6UR5FLXRG337846	04799816AC
3C63RRGL9RG337340	04799843AC
3C6UR5FL9RG324909	04799843AC
3C63RRJL1RG338037	04799843AC
3C6UR5FL7RG324911	04799843AC
3C6UR5FL4RG324929	04799843AC
3C6UR5DL8RG336990	04799816AC
3C6UR5DL4RG345508	04799843AC
3C6UR5DL9RG335637	04799843AC
3C6UR5DL0RG337907	04799843AC
3C6UR5DL9RG348677	04799843AC
3C6UR5DL0RG348678	04799843AC
3C6UR5DL8RG341798	04799843AC
3C6UR5DL4RG348683	04799816AC

VIN	Shim Part No.
3C6UR5DL3RG348688	04799843AC
3C6UR5DL5RG348689	04799816AC
3C6UR5DL1RG348690	04799814AC
3C6UR5FL9RG349602	04799843AC
3C6UR5DLXRG349630	04799816AC
3C6UR5CL4RG345686	04799843AC
3C6UR5CL6RG345687	04799843AC
3C6UR5CL8RG345707	04799843AC
3C6UR5CL7RG345715	04799843AC
3C6UR5CL4RG345719	04799843AC
3C6UR5FLXRG349639	04799843AC
3C6UR5FL4RG347157	04799817AC
3C6UR5GL9RG347301	04799817AC
3C6UR5DL2RG343904	04799814AC
3C6UR5DL5RG345436	04799843AC
3C6UR5DL6RG345736	04799843AC
3C6UR5DL7RG345437	04799843AC
3C6UR5FL0RG345843	04799814AC
3C6UR5FL9RG345758	04799816AC
3C6UR5CL2RG347131	04799843AC
3C6UR5FL7RG345760	04799814AC
3C6UR5FL8RG345850	04799816AC
3C6UR5FL2RG345763	04799816AC
3C6UR5FL7RG345855	04799814AC
3C6UR5FL3RG345903	04799814AC
3C6UR5DL1RG345935	04799816AC
3C6UR5HL5RG345799	04799843AC
3C6UR5HLXRG345801	04799814AC
3C6UR5DL1RG345806	04799816AC
3C63R3AL0RG346868	04799816AC
3C63R3EL5RG346892	04799843AC
3C6UR5NL1RG331239	04799816AC
3C6UR5FL2RG337839	04799843AC
3C6UR5NL6RG345461	04799843AC
3C63RRGL2RG341603	04799816AC
3C6UR5DL8RG345513	04799843AC
3C6UR5DL9RG345519	04799816AC
3C6UR5DL0RG345537	04799843AC
3C6UR5FLXRG345543	04799843AC
3C6UR5FL1RG345544	04799843AC
3C6UR5FL3RG345545	04799816AC
3C6UR5FL7RG345547	04799843AC
3C6UR5FL7RG345550	04799843AC
3C6UR5CL0RG345586	04799816AC
3C6UR5NL3RG336927	04799816AC

VIN	Shim Part No.
3C6UR5CL4RG345591	04799843AC
3C6UR5CL3RG345596	04799843AC
3C6UR5FL2RG345620	04799843AC
3C6UR5NL6RG336954	04799814AC
3C6UR5FL8RG345623	04799816AC
3C6UR5FLXRG345624	04799817AC
3C6UR5CL7RG345634	04799843AC
3C6UR5DL0RG345635	04799816AC
3C6UR5FLXRG345641	04799843AC
3C6UR5NL1RG345643	04799843AC
3C63RRGL9RG346460	04799843AC
3C6UR5FL1RG338111	04799816AC
3C63R3GL5RG346596	04799843AC
3C63RRHL8RG346769	04799816AC
3C6UR5NL9RG331795	04799843AC
3C63RRHL7RG346780	04799816AC
3C6UR5NL0RG328946	04799816AC
3C6UR5CL7RG347478	04799843AC
3C6UR5NL8RG332176	04799816AC
3C6UR5DL6RG349415	04799843AC
3C6UR5NL1RG330060	04799816AC
3C6UR5DL5RG349423	04799816AC
3C6UR5DL6RG349429	04799843AC
3C6UR5DL7RG347544	04799814AC
3C6UR5TL1RG330143	04799816AC
3C6UR5DL9RG343737	04799814AC
3C6UR5FL2RG347240	04799816AC
3C6UR5NL3RG335776	04799843AC
3C6UR5NL6RG330345	04799843AC
3C6UR5NL8RG330346	04799843AC
3C6UR5DL1RG345952	04799816AC
3C6UR5NL7RG335781	04799843AC
3C6UR5CL6RG349724	04799843AC
3C6UR5DL5RG345999	04799814AC
3C63RRGL9RG341615	04799816AC
3C6UR5NL8RG335742	04799816AC
3C6UR5FL5RG345790	04799843AC
3C6UR5FL9RG345792	04799816AC
3C6UR5FL4RG345795	04799843AC
3C6UR5FL5RG347300	04799843AC
3C6UR5FL2RG349649	04799843AC
3C6UR5NL5RG329297	04799814AC
3C6UR5FL6RG347130	04799843AC
3C6UR5FL6RG345751	04799843AC
3C6UR5CL8RG339681	04799816AC

VIN	Shim Part No.
3C6UR5DLXRG345691	04799843AC
3C6UR5FL5RG345692	04799843AC
3C6UR5FL7RG345693	04799816AC
3C6UR5FL9RG343735	04799843AC
3C6UR5CL0RG345734	04799814AC
3C6UR5EL3RG343909	04799816AC
3C6UR5DL1RG345868	04799843AC
3C6UR5ELXRG343910	04799816AC
3C6UR5CL8RG345447	04799814AC
3C6UR5FL7RG337867	04799843AC
3C63R3AL3RG346508	04799843AC
3C6UR5NLXRG329716	04799817AC
3C6UR5NL6RG328790	04799843AC
3C6UR5NL1RG328793	04799843AC
3C6UR5NL0RG331622	04799843AC
3C63R3JL7RG347077	04799843AC
3C63RRHL9RG346571	04799816AC
3C6UR5NL2RG330701	04799843AC
3C6UR5DL1RG349418	04799816AC
3C6UR5DL3RG349422	04799843AC
3C6UR5FL6RG345474	04799843AC
3C63R3MLXRG346873	04799814AC
3C63R3HL4RG346653	04799843AC
3C63RRHL4RG346655	04799843AC
3C6UR5DL4RG343726	04799843AC
3C6UR5FL8RG345573	04799816AC
3C63R3GL6RG346901	04799814AC
3C6UR5FL8RG345945	04799843AC
3C6UR5NL7RG337823	04799843AC
3C6UR5DL1RG345885	04799816AC
3C63R3ML8RG333880	04799816AC
3C6UR5PL7RG329198	04799843AC
3C6UR5NL0RG330129	04799843AC
3C6UR5DL8RG345561	04799843AC
3C63R3PL2RG347642	04799843AC
3C6UR5FLXRG345655	04799843AC
3C6UR5CL9RG345490	04799816AC
3C6UR5CL6RG345494	04799814AC
3C6UR5JL4RG349739	04799843AC
3C6UR5NL9RG328475	04799816AC
3C6UR5NL4RG328478	04799817AC
3C63RRHL5RG346468	04799843AC
3C6UR5FL1RG345527	04799814AC
3C63RRGL1RG337994	04799843AC
3C6UR5GL8RG349590	04799843AC

VIN	Shim Part No.
3C6UR5DL4RG349610	04799814AC
3C6UR5FL1RG343745	04799814AC
3C6UR5FL0RG347396	04799814AC
3C6UR5FL2RG347397	04799843AC
3C6UR5DL4RG343810	04799814AC
3C6UR5FL4RG349765	04799843AC
3C6UR5FL1RG349528	04799817AC
3C6UR5FL8RG349767	04799843AC
3C6UR5DL2RG348679	04799816AC
3C6UR5DL2RG338783	04799816AC
3C63RRKL3RG338006	04799843AC
3C63R3GL0RG339605	04799816AC
3C63R3GL2RG339606	04799816AC
3C6UR5TL2RG328658	04799843AC
3C63R3NL3RG337429	04799816AC
3C6UR5HL8RG338751	04799814AC
3C6UR5FL0RG337838	04799816AC
3C6UR5DL1RG338760	04799843AC
3C6UR5DLXRG338823	04799816AC
3C63RRHL3RG337252	04799843AC
3C6UR5TL9RG329421	04799843AC
3C63RRHL7RG346522	04799817AC
3C6UR5PLXRG332418	04799816AC
3C6UR5TL4RG332548	04799843AC
3C63R3GL6RG339611	04799843AC
3C63R3GL8RG339612	04799816AC
3C6UR5CL6RG339680	04799843AC
3C6UR5TL8RG335842	04799843AC
3C63RRGL5RG338033	04799843AC
3C6UR5FL1RG341168	04799843AC
3C6UR5TLXRG332893	04799816AC
3C6UR5HL5RG338769	04799816AC
3C6UR5TL4RG335823	04799816AC
3C6UR5FL2RG349764	04799843AC
3C6UR5CL8RG338790	04799843AC
3C6UR5GL8RG338122	04799813AC

**POLICY:**

Reimbursable within the provisions of the warranty.

*This bulletin is supplied as technical information only and is not an authorization for repair. No part of this publication may be reproduced, stored in a retrieval system, or transmitted, in any form or by any means, electronic, mechanical, photocopying, or otherwise, without written permission of FCA US LLC.*