



Technical Service Bulletin

90 HUD: reflections on windscreen on vehicles with head-up display

90 24 29 2075264/1 September 18, 2024.

Model(s)	Year	VIN Range	Vehicle-Specific Equipment
Q4 e-tron, and Q4 Sportback e-tron	2022 – 2025	All	Head-up display

Condition

Customer states:

- Reflections caused by the cover from the head-up display can be seen on the windshield (Figures 1 and 2).

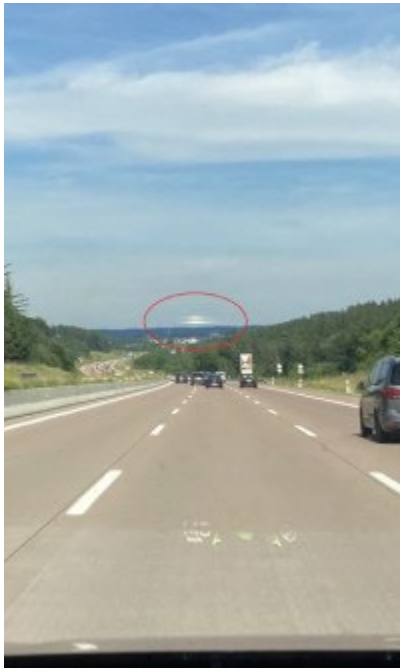


Figure 1. HUD reflections.



Figure 2. HUD reflections.

Workshop findings:

- The customer concern can be reproduced.



Technical Service Bulletin

Technical Background 1

Under certain conditions, such as when the sun is at a specific angle to the vehicle and the vehicle has a specific angle of inclination, the sunlight may result in reflections (lines) on the windscreen. These reflections are caused by the cover for the head-up display (Figure 3, item 16).

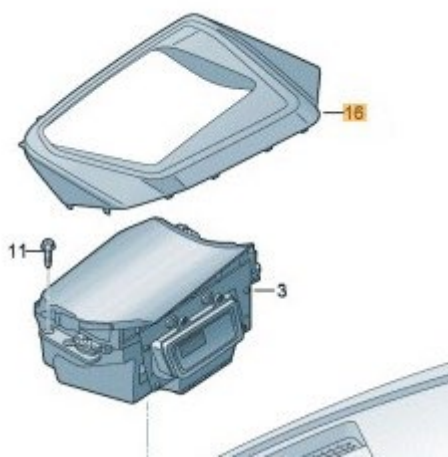


Figure 3: HUD cover (parts catalogue).

Production Solution

Not applicable.

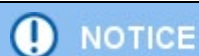
Service

Do not perform any repairs. Any repairs for this concern may be denied.

Instruct the customer that this condition is normal.

Warranty

This TSB is informational only and not applicable to any Audi Warranty.



NOTICE



Technical Service Bulletin

There is no reason to replace parts or attempt repairs. Unjustified labor/replacement parts will be charged back. Invoicing under warranty is not permitted.

Additional Information

All part and service references provided in this TSB (**2075264**) are subject to change and/or removal. Always check with your Parts Department and/or ETKA for the latest information and parts bulletins. Please check the Repair Manual for fasteners, bolts, nuts, and screws that require replacement during the repair.

©2024 Audi of America, Inc. All rights reserved. The information contained in this document is based on the latest information available at the time of printing and is subject to the copyright and other intellectual property rights of Audi of America, Inc., its affiliated companies, and its licensors. All rights are reserved to make changes at any time without notice. No part of this document may be reproduced, stored in a retrieval system, or transmitted in any form or by any means, electronic, mechanical, photocopying, recording, or otherwise, nor may these materials be modified or reposted to other sites, without the prior expressed written permission of the publisher.