

Circular Letter

FROM: Maserati TSO

TO: Maserati Network



PERSONAL SERVICE LAB

MASTERS OF CARE

Ghibli QP AWD Transfer Case Service Info

DATE: October 03, 2024

This bulletin provides some additional important info for servicing/repairing the AWD Transfer Case on certain Maserati vehicles for possible oil leak concerns.

MODELS:

- M157 Ghibli and M156 Quattroporte V6 AWD (from MY21 to newer).
- M161 Levante (All MY)

ANOMALY: Oil leak coming from the AWD transfer case area.**Service Information**

As of this bulletin's release, repair kits are now available for oil leak issues in the AWD transfer case. Moving forward, all repairs related to this specific issue under warranty (for ALL cost codes) must be completed using the AWD Front Flange Kit, following the instructions provided below. Replacement of the entire transfer case is no longer necessary for oil issues and may be rejected if claimed. Please be sure to take "time stamped (with VIN) pictures" of the oil leak prior to submitting the warranty claim.



Sample of M161 – Transfer Case oil leak from the front flange area.

Transfer Case Vehicle Application Information

For your information only. Do not use these PN to order the transfer case for oil leak issues.

AWD Transfer Cases assemblies are installed on the following Maserati vehicle trim models with the follow Part Numbers:

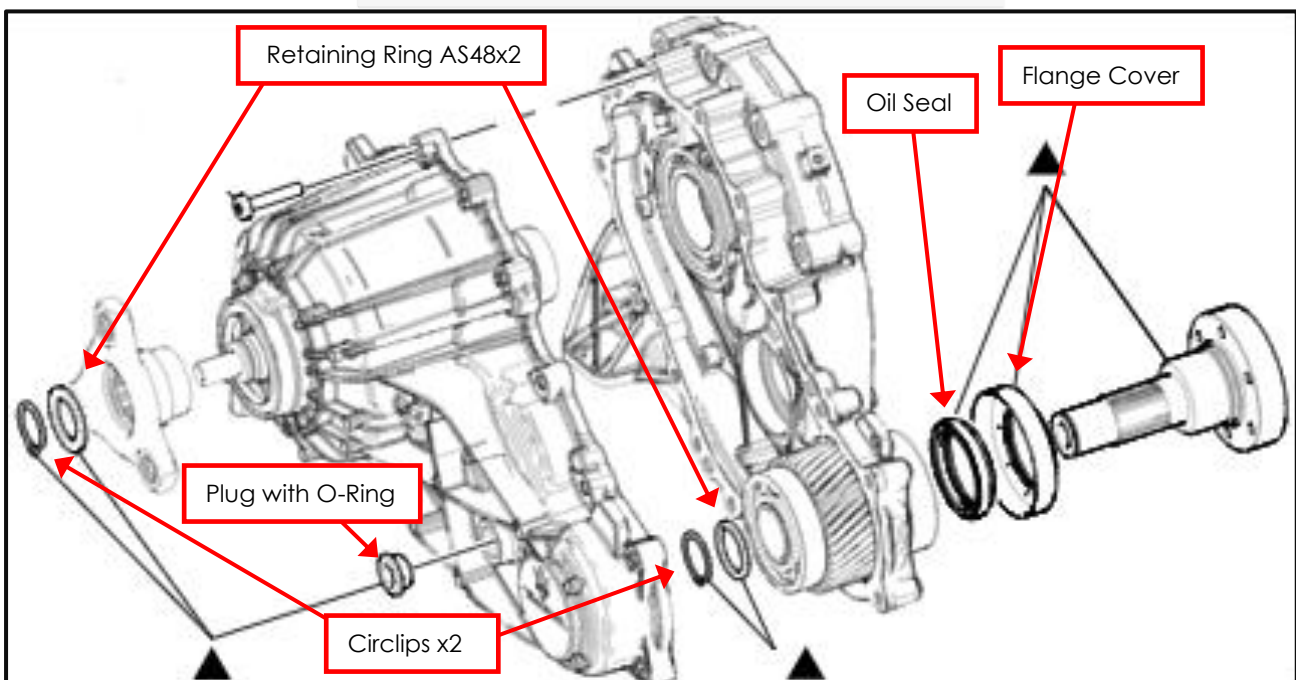
Model Trims	Transfer case PN installed
<ul style="list-style-type: none"> Levante – all MY, all engines Quattroporte – from MY21, V6 AWD Ghibli – from MY21, V6 AWD 	670038072 670105827 670152726 670154135 670307165 670162248 670307166

AWD Front Flange Kit Repair Information

This section provides repair information for the AWD flange kit.

- **Workshop Procedure** – (Section 03.22 – 2) Procedure N. 03.22.037 ALL WHEEL DRIVE TRANSFER CASE FLANGES OIL SEAL
- **Tools** – No Special Tools are needed to perform the Flange Kit replacement.
- **Lubricant** – Third-party lubricants, compliant with SAE 75W GL-4, are widely available in the network. OE (Original Equipment) oil is Shell TF 0870 (0.62 L).

Components that can be serviced and available as spare parts are indicated by the arrows:



Parts Information

P/N details and applicability is reported here below:

There are 2 different PN's for the Flange kit. Use this chart to determine which kit is needed based on the transfer case assembly installed in the vehicle in question. **Always use the VIN when looking up parts** to ensure you are ordering the correct kit.

Maserati Front Flange KIT P/N	Quantity	Description	Transfer Case P/N applicability
673016819	1	Transfer Case Flange Kit	670038072 670105827
673016820	1	Transfer Case Flange Kit	670152726 670154135 670307166 670162248 670307165

Every Front Flange Kit includes the following components:

- Flange Front Axle
- Slinger (Flange)
- Shim
- Circlips
- Sealing
- O-ring
- Plug with O-Ring
- Retaining Ring AS48x2

Although the workshop manual does not state that it is mandatory, it is recommended to replace the case screws, order the following "Transfer Case Housing Screws Kit" in addition to the "Transfer Case Flange Kit".

Maserati Fastener KIT P/N	Quantity	Description
673016821	1	TRANSFER CASE HOUSING SCREWS KIT

If you have questions or concerns. Please contact the Parts or Technical Support HelpDesk