
Special Tools and Equipment Information

SPTL 2414

Macan H2 BEV Launch Tools (PAG)

USA Only

Vehicle Type: **Macan (XAB)**

Subject: **Macan Launch Tools (PAG)**

Information: Porsche Special Tools & Equipment has identified the need for tools to support the launch of the Porsche Macan EV. This package will be delivered via automatic shipment as Minimum Required Tools (MRT). Shipments from the PDC will start on September 23, 2024.

This auto-ship package includes 6 tools.

Some of the tools in this package (marked » **DELAYED**) are delayed by the manufacture. They will ship out as stock becomes available.

Please note: Dealers with the highest number of HV battery repairs will receive these delayed tools first.

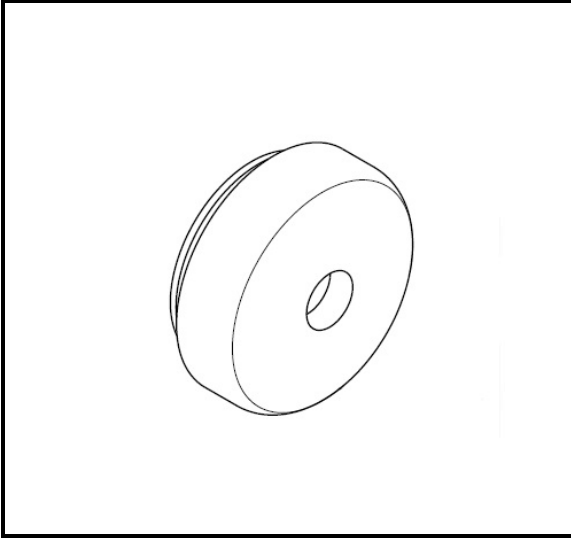
Tools Included: **P90046**
P90044
P90045
P90072 » DELAYED
P90072/1 » DELAYED
P90072/2 » DELAYED

Special Tools and Equipment Information

SPTL 2414

Macan H2 BEV Launch Tools (PAG)

USA Only



Pressure Piece

Tool P0046



\$ 28.97

Model Line Macan (XAB) from MY 2024

Use Fit sealing ring

Workshop Manual 392255

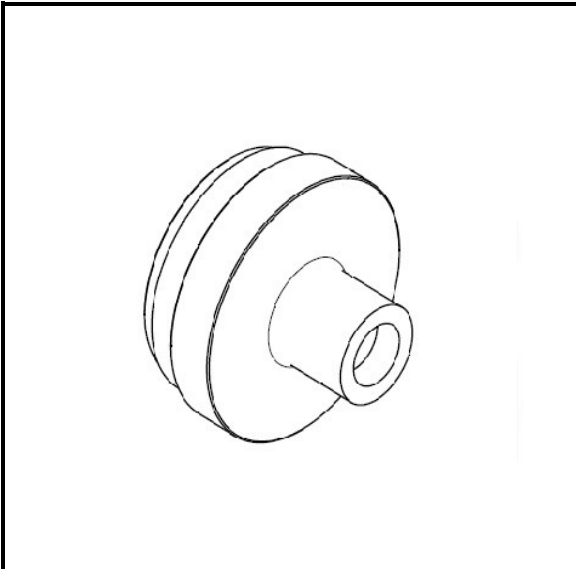
Order Number V04014046TT

Supplier Polaris (PPL)

Availability Immediate availability - Auto-Ship

Location PORPAN #2 Temp Storage

Note



Pressure Piece

Tool P90044



\$ 43.32

Model Line Macan (XAB) from MY 2024

Use Fit sealing ring

Workshop Manual 934055

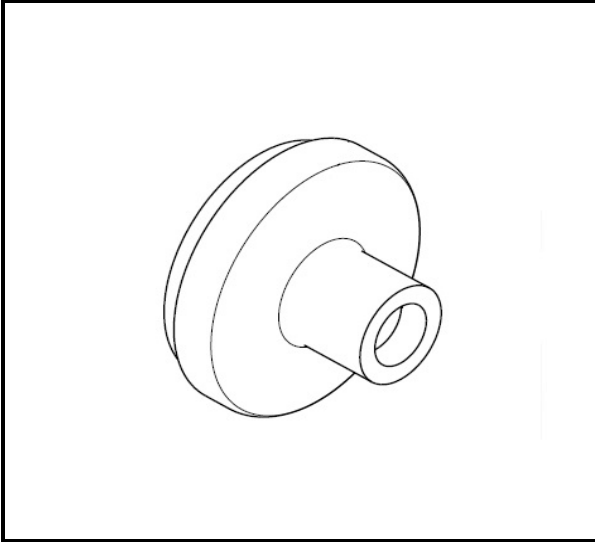
Order Number V04014044TT

Supplier Polaris (PPL)

Availability Immediate availability - Auto-Ship

Location PORPAN #2 Temp Storage

Note



Pressure Piece

Tool P90045



\$ 38.96

Model Line Macan (XAB) from MY 2024

Use Earthing ring mounting

Workshop Manual 934055

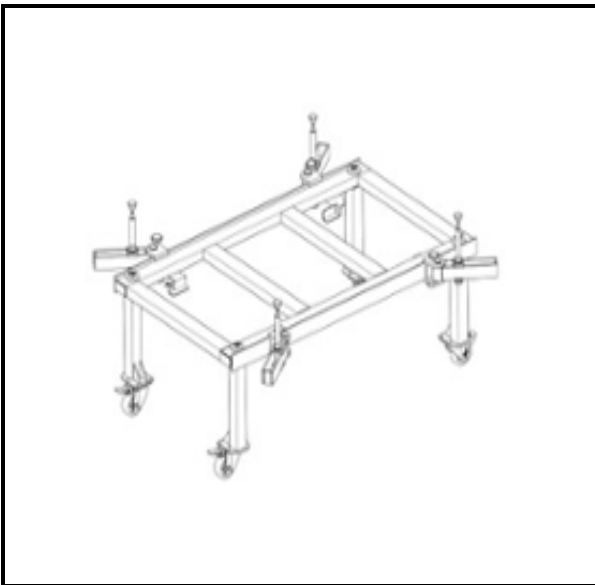
Order Number V04014045TT

Supplier Polaris (PPL)

Availability Immediate availability - Auto-Ship

Location PORPAN #2 Temp Storage

Note



Universal Battery Storage Table *DELAYED*

Tool P90072



\$ 5,437.69

Model Line Macan (XAB) from MY 2024

Use Mounting the high-voltage battery for module replacement. Is required if module is replaced

Workshop Manual 930119

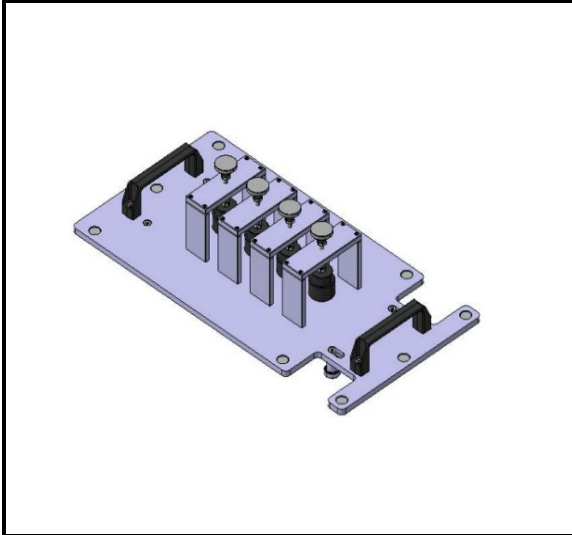
Order Number V04014072TT

Supplier Polaris (PPL)

Availability Delayed - will Auto-Ship when available

Location In-Shop

Note



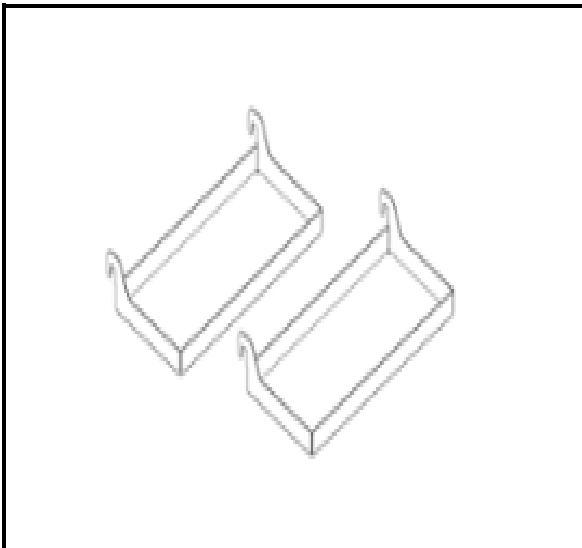
Support Device *DELAYED*

Tool P90072/1



\$ 768.85

Model Line	Macan (XAB) from MY 2024
Use	Insertion plate incl. 4 spindles for screwing on the pressure plate. Is required if module is replaced
Workshop Manual	930119
Order Number	V04014072AT
Supplier	Polaris (PPL)
Availability	Delayed - will Auto-Ship when available
Location	In-Shop
Note	



Tool Tray *DELAYED*

Tool P90072/2



\$ 44.30

Model Line	Macan (XAB) from MY 2024
Use	Tool tray during disassembly work on the HVB
Workshop Manual	930119
Order Number	V04014072BT
Supplier	Polaris (PPL)
Availability	Delayed - will Auto-Ship when available
Location	In-Shop with P90072
Note	

Ordering Process:

Tools identified with a prefix of VAS, VAG and "T":

Place orders via porsche.snapon.com.

Tools with a prefix of 000 721, 918 721, PNA or "P"

Place orders via POLARIS (PPL).

Diagnostic Equipment:

Open a PRMS ticket. Technical Support >> [Tester Support](#)

Special Tool Support:

For questions related to VAS, VAG, and "T" tools:

Contact SBS customer care at 1-855-895-2013 or PorscheTEP@SnapOn.com.



For Polaris numbers 000.721, 918.721, PNA and "P" tools:

Open a PRMS ticket. Technical Support >> [Special Tools](#)

Diagnostic Equipment:

Open a PRMS ticket. Technical Support >> [Tester Support](#)

Workshop Equipment Classification:

- ★ Servicing and maintenance
- ★★ Replacement of units and assemblies
- ★★★ Disassembly of units and assemblies
- ★★★★ Rental
-  Body & Paint
-  High-voltage

***All prices shown are valid as of the day of publishing and are subject to change without notice.**

Important Notice: Technical Bulletins issued by Porsche Cars North America, Inc. are intended only for use by professional automotive technicians who have attended Porsche service training courses. They are written to inform those technicians of conditions that may occur on some Porsche vehicles, or to provide information that could assist in the proper servicing of a vehicle. Porsche special tools may be necessary in order to perform certain operations identified in these bulletins. Use of tools and procedures other than those Porsche recommends in these bulletins may be detrimental to the safe operation of your vehicle, and may endanger the people working on it. Properly trained Porsche technicians have the equipment, tools, safety instructions, and know-how to do the job properly and safely. Part numbers listed in these bulletins are for reference only. The work procedures updated electronically in the Porsche PIWIS diagnostic and testing device take precedence and, in the event of a discrepancy, the work procedures in the PIWIS Tester are the ones that must be followed.