

ARBO - Replacing Left and Right Brake Hose on Front Axle (Stop Delivery / Recall Campaign)

Change overview:

Version	Date	Change
1	07/19/2024	<ul style="list-style-type: none"> • First publication
2	08/02/2024	<ul style="list-style-type: none"> • Update of Preparatory work — Step 2 • Update of Replacing left and right brake hose on front axle—Step 4 • Update of Follow-up actions— Step 2
3	09/17/2024	<ul style="list-style-type: none"> • Update of Replacing left and right brake hose on front axle—Step 5 and 7 • Update of Follow-up actions— Step 3

Model Line: **Taycan (Y1A / Y1B / Y1C)**

Model Year: **As of 2020 up to 2025**

Concerns: **Brake hoses on front axle**

Cause: **Brake hoses were installed on the left and right front axle of the affected vehicles that were designed with an insufficient bending radius.**

This can lead to material fatigue over the service life of the vehicle and under certain conditions and cause a defect in the brake hose. If this is the case, the driver may feel that braking is less effective and the brake pedal feels different. A corresponding warning message will be displayed on the instrument cluster.

Action: Replace left and right brake hose on front axle.



Information

Every vehicle is exactly assigned to one campaign scope.

To find out the scope assigned to the vehicle, see PCSS Vehicle Information.

An overview of the campaign scope and the required parts is shown in the "Warranty processing" section.
 ⇒ *Technical Information 'Warranty processing'*

Affected Vehicles: Only vehicles assigned to the campaign (see also PCSS Vehicle Information).

Required Tools

- Tool:
- Brake filling and bleeding equipment, e.g., **VAS 6860 - brake filling and bleeding equipment**
 - **P90999 - PIWIS Tester 4**
 - Battery charger with a current rating of **at least 90 A**, e.g., **VAS 5908 - battery charger 90 A**. For further information about the battery chargers to be used, see the corresponding Workshop Manual. ⇒ *Workshop Manual '270689 Charging 12-volt lithium-ion vehicle electrical system battery'*
 - Brake tensioner (commercially available)

Preparatory work

- Work Procedure: 1 Move the vehicle onto a lifting platform and raise it.
⇒ *Workshop Manual '4X001N Lifting vehicle'*
- 2 Operate the footbrake approx. 3-4 cm downwards and position brake tensioner ⇒ *Positioning brake tensioner*. This closes the overrun bore hole in the brake master cylinder and reduces the amount of brake fluid required.
- 3 Remove wheels.
⇒ *Workshop Manual '440519 Removing and installing wheel'*



Positioning brake tensioner

Replacing left and right brake hose on front axle



Danger of injury and damage from brake fluid!

- **Poisonous if swallowed!**
 - **Irritation and damage to skin**
 - **Avoid contact with paint surfaces**
- ⇒ **Store brake fluid in suitable, labelled containers only**
- ⇒ **Wear protective gloves and goggles**
- ⇒ **In the event of contact (eyes or skin), wash immediately with water**
- ⇒ **In the event of contact with paint surfaces, wash off immediately with water - do not wipe off**



Information

To gain better access for removing the brake hoses, turn the steering fully either to the left or right.

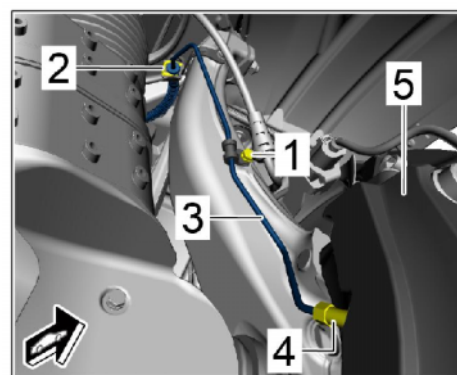


Information

The procedure for removing and installing is shown for one side as an example. The procedure for removing and installing for the other side is almost identical.

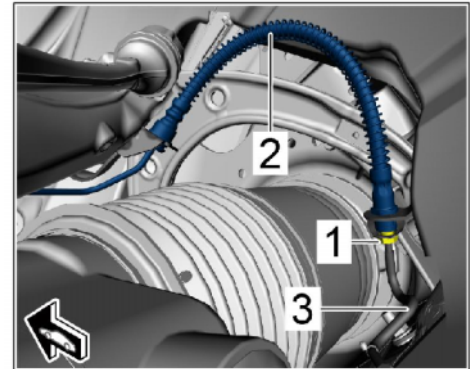
Work Procedure: 1 Loosen the brake line the on front axle.

- 1.1 Unscrew screw ⇒ *Front brake line on brake calliper -1-*, do **not** re-use this screw. Loosen and remove the bracket and install it to the **new** brake line.
- 1.2 Unclip spring clamp ⇒ *Front brake line on brake calliper -2-* and disengage brake line ⇒ *Front brake line on brake calliper -3-* from the holder at the top.
- 1.3 Loosen and unscrew the union nut for brake line ⇒ *Front brake line on brake calliper -4-* on brake calliper ⇒ *Front brake line on brake calliper -5-*.
- 1.4 Remove brake line ⇒ *Front brake line on brake calliper -3-* and close line connections with suitable stoppers while collecting leaking brake fluid with a suitable container.



Front brake line on brake calliper

- 2 Remove the front brake hose.
 - 2.1 Loosen and unscrew union nut ⇒ *Front brake hose on vehicle-side brake line -1-* on vehicle-side brake line ⇒ *Front brake hose on vehicle-side brake line -3-* to brake hose ⇒ *Front brake hose on vehicle-side brake line -2-*.
 - 2.2 Unscrew the screw of the brake hose bracket on the wheel bearing housing, do **not** reuse this screw. Remove the loosened brake hose bracket from the wheel bearing housing.
 - 2.3 Pull off brake hose ⇒ *Front brake hose on vehicle-side brake line -2-* and close line connections with suitable stoppers while collecting leaking brake fluid with a suitable container.
 - 2.4 Guide out brake hose ⇒ *Front brake hose on vehicle-side brake line -2-*.



Front brake hose on vehicle-side brake line

- 3 Install the **new** brake hose.

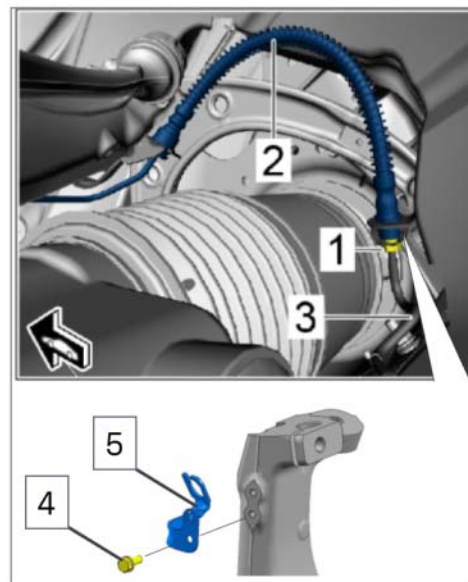


Information

When installing the brake hoses, it is essential that the correct installation position be maintained. Otherwise, damage to the new brake hoses cannot be ruled out. Subsequent bending of the holder or brake line is not permitted!

Only install the new brake hose in conjunction with the new upright side holder. Installing the new hose using the old holder is not possible and not permitted!

- 3.1 Insert brake hose ⇒ *Front brake hose to brake line on vehicle-side (including bracket) -2-* into the vehicle.
- 3.2 Position the **new** brake hose bracket ⇒ *Front brake hose to brake line on vehicle-side (including bracket) -5-* on the wheel bearing housing. Screw in the **new** screw for brake hose bracket ⇒ *Front brake hose to brake line on vehicle-side (including bracket) -4-* on the wheel bearing housing.
- 3.3 Push brake hose ⇒ *Front brake hose to brake line on vehicle-side (including bracket) -2-* onto vehicle-side brake line ⇒ *Front brake hose to brake line on vehicle-side (including bracket) -3-*.



Front brake hose to brake line on vehicle-side (including bracket)

- 4 Check that the newly installed brake hose is in the correct position. ⇒ *Correct brake hose position*
 The brake hose can touch the transverse control arm immediately after assembly. As soon as the brake hose relaxes, there is no more contact. A slight preload of the hose during assembly (wheels completely extended on the lifting platform) is intended. The preload is reduced in the compressed state. Make sure that the wheel position is straight ahead when installing the brake hose.



Correct brake hose position

Turning the brake hose by 180° is not permitted!
 ⇒ *Incorrect brake hose position*



Incorrect brake hose position

Part number overview of **new** brake hoses and **new** brake hose bracket: ⇒ *Technical Information '440519 Overview of part numbers for new brake hose and new brake hose bracket'*

- 5 Screw on union nut ⇒ *Front brake hose to brake line on vehicle-side (including bracket)* -1- securing vehicle-side brake line ⇒ *Front brake hose to brake line on vehicle-side (including bracket)* -3-.



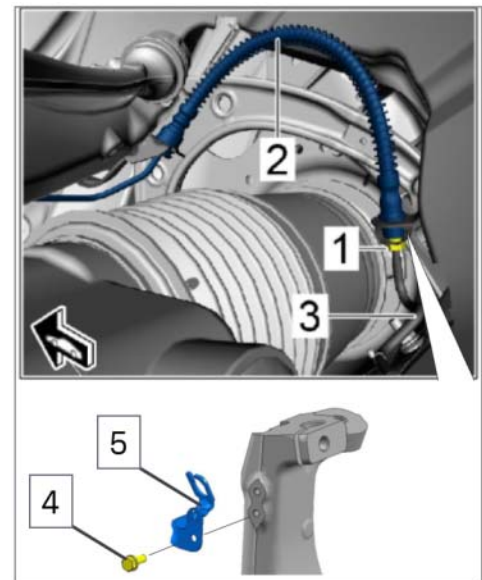
Information

It must be possible to manually screw two threads of the vehicle-side brake line and the brake hose without significant effort.

If the screw connection cannot be made without applying force, do not continue, as this may result in damage to the vehicle's brake line.

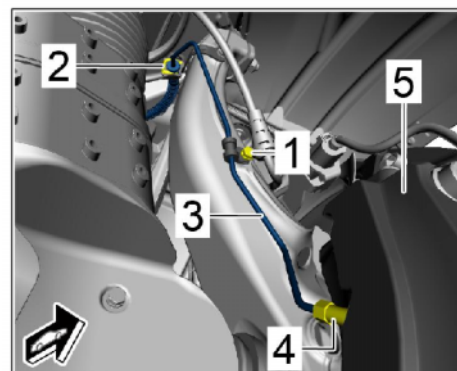
It is imperative that you ensure that the thread of the vehicle's brake line is not damaged by incorrect assembly!

If there is damage to the thread from removing or installing the brake hose, the vehicle-side brake line must be replaced. The costs incurred for this cannot be settled via the ARBO campaign.



Front brake hose to brake line on vehicle-side (including bracket)

- 6 Position the front axle brake line.
 - 6.1 Hook brake line ⇒ *Front brake line on brake calliper -3-* into the top of the bracket and position it on brake calliper ⇒ *Front brake line on brake calliper -5-*.
 - 6.2 Screw on union nut ⇒ *Front brake line on brake calliper -4-*.
 - 6.3 Position the center bracket for the brake line and tighten **new** screw ⇒ *Front brake line on brake calliper -1-*.
 - 6.4 Clip in spring clamp ⇒ *Front brake line on brake calliper -2-*.



Front brake line on brake calliper

- 7 Fasten brake hose.
 - 7.1 Tighten the screw securing the clamp with **Tightening torque 8 Nm**.
 - 7.2 Tighten the screw securing the bracket on the wheel bearing housing with **Tightening torque 8 Nm**.
 - 7.3 Tighten the union nut securing the brake calliper with **Tightening torque 14 Nm**, making sure not to twist the brake line.
 - 7.4 Tighten the union nut securing the vehicle-side brake line with **Tightening torque 14 Nm**, making sure not to twist the brake line.
- 8 Repeat the work procedure for the front axle brake hose on the opposite side.

Follow-up actions

- Work Procedure: 1 Remove the brake tensioner from the footbrake.
- 2 Bleed the brake system. First perform **conventional bleeding** and then the **bleeding routine for electric brake boosters (eBKV)**. The Porsche Stability Management (PSM) bleeding routine is **not required**. This step should be skipped. The procedure for conventional bleeding and the bleeding routine for electric brake boosters (eBKV) according to ⇒ *Workshop Manual '470107 Bleeding the brake system'*
 - 3 Visually inspect the brake hose by repeatedly pressing the footbrake and checking the tightness at the thread from the brake hose to the brake line.
If a **leaking connection is detected on the thread** after replacing the brake hose, the brake hose must be replaced again.
 - 4 Install wheels.
⇒ *Workshop Manual '440519 Removing and fitting wheel'*

- 5 Create Vehicle Analysis Log (VAL) using the PIWIS Tester.
Mark the Vehicle Analysis Log you have created with the attribute "**Post-VAL**" and, after carrying out the campaign, return it using the PIWIS Tester.
- 6 Enter the campaign into the Warranty and Maintenance logbook.

Warranty processing



Information

The specified labour times were determined specifically for carrying out this campaign and include all necessary preliminary and subsequent rework. The labour times may differ from the labour times published in the Labour Operation List in the PCSS.



Information

Every vehicle is exactly **assigned to one campaign scope**.

The scope was assigned based on the compilation of the respective vehicle types and individual brake variants.

A corresponding variant of the brake hose is provided for each scope. Only the specified brake hose may be installed in the affected vehicle.

Scope 1:

Replacing left and right brake hose on front axle

– only valid for vehicles with **stop delivery**

Labor time:

Replacing left and right brake hose on front axle

Labor time: **221 TU**

Includes: Replacing front brake hose
Replacing brake hose bracket
Creating Vehicle Analysis Logs (VALs) after completing campaign

Required parts:

V04015005BE	Brake hose, front left	1 piece
V04015005BF	Brake hose, front right	1 piece
V04015005BS	Bracket, left	1 piece
V04015005BT	Bracket, right	1 piece
PAF100829	Hexagon-head bolt	4 pieces

Required materials (usually already available in the Porsche Center):

00004321086	Brake fluid (30-liter/ 7.9 gal container)	As required (approx. 2.5 liter (2.6 quarts))
⇒ Damage number ARBO 099 000 2		

Scope 2: **Replacing left and right brake hose on front axle**
 – only valid for vehicles with **stop delivery**

Labor time:		
Replacing left and right brake hose on front axle		Labor time: 221 TU
Includes:	Replacing front brake hose Replacing brake hose bracket Creating Vehicle Analysis Logs (VALs) after completing campaign	
Required parts:		
V04015005BG	Brake hose, front left	1 piece
V04015005BH	Brake hose, front right	1 piece
V04015005BS	Bracket, left	1 piece
V04015005BT	Bracket, right	1 piece
PAF100829	Hexagon-head bolt	4 pieces
Required materials (usually already available in the Porsche Center):		
00004321086	Brake fluid (30-liter/ 7.9 gal container)	As required (approx. 2.5 liter (2.6 quarts))
⇒ Damage number ARBO 099 000 2		

Scope 3: **Replacing left and right brake hose on front axle**
 – only valid for vehicles with **stop delivery**

Labor time:

Replacing left and right brake hose on front axle

Labor time: **221 TU**

Includes: Replacing front brake hose
 Replacing brake hose bracket
 Creating Vehicle Analysis Logs (VALs) after completing campaign

Required parts:

V04015005BJ	Brake hose, front left	1 piece
V04015005BK	Brake hose, front right	1 piece
V04015005BS	Bracket, left	1 piece
V04015005BT	Bracket, right	1 piece
PAF100829	Hexagon-head bolt	4 pieces

Required materials (usually already available in the Porsche Center):

00004321086	Brake fluid (30-liter/ 7.9 gal container)	As required (approx. 2.5 liter (2.6 quarts))
-------------	---	---

⇒ **Damage number ARBO 099 000 2**

Scope 4:

Replacing left and right brake hose on front axle– only valid for vehicles with **stop delivery****Labor time:**

Replacing left and right brake hose on front axle

Labor time: **221 TU**

Includes: Replacing front brake hose
 Replacing brake hose bracket
 Creating Vehicle Analysis Logs (VALs) after completing campaign

Required parts:

V04015005BL	Brake hose, front left	1 piece
V04015005BM	Brake hose, front right	1 piece
V04015005BS	Bracket, left	1 piece
V04015005BT	Bracket, right	1 piece
PAF100829	Hexagon-head bolt	4 pieces

Required materials (usually already available in the Porsche Center):

00004321086	Brake fluid (30-liter/ 7.9 gal container)	As required (approx. 2.5 liter (2.6 quarts))
-------------	---	---

⇒ Damage number ARBO 099 000 2

Scope 5: **Replacing left and right brake hose on front axle**
– only valid for vehicles with **stop delivery**

Labor time:

Replacing left and right brake hose on front axle	Labor time: 221 TU
Includes:	
Replacing front brake hose	
Replacing brake hose bracket	
Creating Vehicle Analysis Logs (VALs) after completing campaign	

Required parts:

V04015005BN	Brake hose, front left	1 piece
V04015005BP	Brake hose, front right	1 piece
V04015005BS	Bracket, left	1 piece
V04015005BT	Bracket, right	1 piece
PAF100829	Hexagon-head bolt	4 pieces

Required materials (usually already available in the Porsche Center):

00004321086	Brake fluid (30-liter/ 7.9 gal container)	As required (approx. 2.5 liter (2.6 quarts))
-------------	---	---

⇒ Damage number ARBO 099 000 2

Scope 6: **Replacing left and right brake hose on front axle**
– only valid for vehicles with **stop delivery**

Labor time:

Replacing left and right brake hose on front axle

Labor time: **221 TU**

Includes: Replacing front brake hose
 Replacing brake hose bracket
 Creating Vehicle Analysis Logs (VALs) after completing campaign

Required parts:

V04015005BQ	Brake hose, front left	1 piece
V04015005BR	Brake hose, front right	1 piece
V04015005BS	Bracket, left	1 piece
V04015005BT	Bracket, right	1 piece
PAF100829	Hexagon-head bolt	4 pieces

Required materials (usually already available in the Porsche Center):

00004321086	Brake fluid (30-liter/ 7.9 gal container)	As required (approx. 2.5 liter (2.6 quarts))
-------------	---	---

⇒ **Damage number ARBO 099 000 2**

Scope 7:

Replacing left and right brake hose on front axle– only valid for vehicles with **stop delivery****Labor time:**

Replacing left and right brake hose on front axle

Labor time: **221 TU**

Includes: Replacing front brake hose
 Replacing brake hose bracket
 Creating Vehicle Analysis Logs (VALs) after completing campaign

Required parts:

V04015005M	Brake hose, front left	1 piece
V04015005N	Brake hose, front right	1 piece
V04015005BS	Bracket, left	1 piece
V04015005BT	Bracket, right	1 piece
PAF100829	Hexagon-head bolt	4 pieces

Required materials (usually already available in the Porsche Center):

00004321086	Brake fluid (30-liter/ 7.9 gal container)	As required (approx. 2.5 liter (2.6 quarts))
-------------	---	---

⇒ Damage number ARBO 099 000 2

Scope 8: **Replacing left and right brake hose on front axle**
- only valid for **recalled** vehicles

Labor time:

Replacing left and right brake hose on front axle	Labor time: 237 TU
---	---------------------------

Includes: Replacing front brake hose
 Replacing brake hose bracket
 Creating Vehicle Analysis Logs (VALs) after completing campaign

Required parts:

V04015005BE	Brake hose, front left	1 piece
V04015005BF	Brake hose, front right	1 piece
V04015005BS	Bracket, left	1 piece
V04015005BT	Bracket, right	1 piece
PAF100829	Hexagon-head bolt	4 pieces

Required materials (usually already available in the Porsche Center):

00004321086	Brake fluid (30-liter/ 7.9 gal container)	As required (approx. 2.5 liter (2.6 quarts))
-------------	---	---

⇒ Damage number ARBO 099 000 2

Scope 9: **Replacing left and right brake hose on front axle**
- only valid for **recalled** vehicles

Labor time:

Replacing left and right brake hose on front axle

Labor time: **237 TU**

Includes: Replacing front brake hose
 Replacing brake hose bracket
 Creating Vehicle Analysis Logs (VALs) after completing campaign

Required parts:

V04015005BG	Brake hose, front left	1 piece
V04015005BH	Brake hose, front right	1 piece
V04015005BS	Bracket, left	1 piece
V04015005BT	Bracket, right	1 piece
PAF100829	Hexagon-head bolt	4 pieces

Required materials (usually already available in the Porsche Center):

00004321086	Brake fluid (30-liter/ 7.9 gal container)	As required (approx. 2.5 liter (2.6 quarts))
-------------	---	---

⇒ **Damage number ARBO 099 000 2**

Scope 10:

Replacing left and right brake hose on front axle- only valid for **recalled** vehicles**Labor time:**

Replacing left and right brake hose on front axle

Labor time: **237 TU**

Includes: Replacing front brake hose
 Replacing brake hose bracket
 Creating Vehicle Analysis Logs (VALs) after completing campaign

Required parts:

V04015005BJ	Brake hose, front left	1 piece
V04015005BK	Brake hose, front right	1 piece
V04015005BS	Bracket, left	1 piece
V04015005BT	Bracket, right	1 piece
PAF100829	Hexagon-head bolt	4 pieces

Required materials (usually already available in the Porsche Center):

00004321086	Brake fluid (30-liter/ 7.9 gal container)	As required (approx. 2.5 liter (2.6 quarts))
-------------	---	---

⇒ Damage number ARBO 099 000 2

Scope 11: **Replacing left and right brake hose on front axle**
- only valid for **recalled** vehicles

Labor time:

Replacing left and right brake hose on front axle Labor time: **237 TU**

Includes: Replacing front brake hose
 Replacing brake hose bracket
 Creating Vehicle Analysis Logs (VALs) after completing campaign

Required parts:

V04015005BL	Brake hose, front left	1 piece
V04015005BM	Brake hose, front right	1 piece
V04015005BS	Bracket, left	1 piece
V04015005BT	Bracket, right	1 piece
PAF100829	Hexagon-head bolt	4 pieces

Required materials (usually already available in the Porsche Center):

00004321086	Brake fluid (30-liter/ 7.9 gal container)	As required (approx. 2.5 liter (2.6 quarts))
-------------	---	---

⇒ Damage number ARBO 099 000 2

Scope 12: **Replacing left and right brake hose on front axle**
- only valid for **recalled** vehicles

Labor time:

Replacing left and right brake hose on front axle

Labor time: **237 TU**

Includes: Replacing front brake hose
 Replacing brake hose bracket
 Creating Vehicle Analysis Logs (VALs) after completing campaign

Required parts:

V04015005BN	Brake hose, front left	1 piece
V04015005BP	Brake hose, front right	1 piece
V04015005BS	Bracket, left	1 piece
V04015005BT	Bracket, right	1 piece
PAF100829	Hexagon-head bolt	4 pieces

Required materials (usually already available in the Porsche Center):

00004321086	Brake fluid (30-liter/ 7.9 gal container)	As required (approx. 2.5 liter (2.6 quarts))
-------------	---	---

⇒ **Damage number ARBO 099 000 2**

Scope 13:

Replacing left and right brake hose on front axle- only valid for **recalled** vehicles**Labor time:**

Replacing left and right brake hose on front axle

Labor time: **237 TU**

Includes: Replacing front brake hose
 Replacing brake hose bracket
 Creating Vehicle Analysis Logs (VALs) after completing campaign

Required parts:

V04015005BQ	Brake hose, front left	1 piece
V04015005BR	Brake hose, front right	1 piece
V04015005BS	Bracket, left	1 piece
V04015005BT	Bracket, right	1 piece
PAF100829	Hexagon-head bolt	4 pieces

Required materials (usually already available in the Porsche Center):

00004321086	Brake fluid (30-liter/ 7.9 gal container)	As required (approx. 2.5 liter (2.6 quarts))
-------------	---	--

⇒ **Damage number ARBO 099 000 2**

Scope 14: **Replacing left and right brake hose on front axle**
 - only valid for **recalled** vehicles

Labor time:

Replacing left and right brake hose on front axle Labor time: **237 TU**

Includes: Replacing front brake hose
 Replacing brake hose bracket
 Creating Vehicle Analysis Logs (VALs) after completing campaign

Required parts:

V04015005M	Brake hose, front left	1 piece
V04015005N	Brake hose, front right	1 piece
V04015005BS	Bracket, left	1 piece
V04015005BT	Bracket, right	1 piece
PAF100829	Hexagon-head bolt	4 pieces

Required materials (usually already available in the Porsche Center):

00004321086	Brake fluid (30-liter/ 7.9 gal container)	As required (approx. 2.5 liter (2.6 quarts))
-------------	---	--

⇒ **Damage number ARBO 099 000 2**

Overview of part numbers for new brake hose and new brake hose bracket

Scope	Campaign part number	Spare part number	Designation	Quantity per Vehicle
1, 8	V04015005BE / V04015005BF	9J1611707K / 9J1611708K	Brake hose, front left/right	1 piece each

2, 9	V04015005BG / V04015005BH	9J1611707L / 9J1611708L	Brake hose, front left/right	1 piece each
3, 10	V04015005BJ / V04015005BK	9J1611707M / 9J1611708M	Brake hose, front left/right	1 piece each
4, 11	V04015005BL / V04015005BM	9J0611707D / 9J0611708D	Brake hose, front left/right	1 piece each
5, 12	V04015005BN / V04015005BP	9J0611707E / 9J0611708E	Brake hose, front left/right	1 piece each
6, 13	V04015005BQ / V04015005BR	9J0611707F / 9J0611708F	Brake hose, front left/right	1 piece each
7, 14	V04015005M / V04015005N	9J1611707N / 9J1611708N	Brake hose, front left/right	1 piece each
All	V04015005BS / V04015005BT	9J1611845C / 9J1611846C	Bracket, left/right	1 piece each

Important Notice: Technical Bulletins issued by Porsche Cars North America, Inc. are intended only for use by professional automotive technicians who have attended Porsche service training courses. They are written to inform those technicians of conditions that may occur on some Porsche vehicles, or to provide information that could assist in the proper servicing of a vehicle. Porsche special tools may be necessary in order to perform certain operations identified in these bulletins. Use of tools and procedures other than those Porsche recommends in these bulletins may be detrimental to the safe operation of your vehicle, and may endanger the people working on it. Properly trained Porsche technicians have the equipment, tools, safety instructions, and know-how to do the job properly and safely. Part numbers listed in these bulletins are for reference only. The work procedures updated electronically in the Porsche PIWIS diagnostic and testing device take precedence and, in the event of a discrepancy, the work procedures in the PIWIS Tester are the ones that must be followed.

© 2024 Porsche Cars North America, Inc.