



# RCA-96-24-001-1: Add Missing Components to Tire Service Kit

Rivian is initiating a customer satisfaction campaign for some model year 2022-2023 R1T and R1S vehicles that may have been delivered with a tire service kit that is missing some handle extension components, referenced in the owner's guide. Customers should be aware, based on the owner's guide, that without the handle extension components, it will be more difficult to raise and lower the vehicle with the supplied jack. Rivian will supply the missing components. Rivian is launching this campaign for customer satisfaction and to ensure the quality of Rivian vehicles.

<b>Document Type</b>	Customer Satisfaction Campaign Bulletin
<b>Date</b>	September 20, 2024
<b>Affected Region(s)</b>	USA, Canada
<b>Affected Model(s)</b>	R1T, R1S
<b>Model Year(s)</b>	2022-2023
<b>Approximate Build Dates</b>	September 2021-October 2023
 Refer to <b>Open Containments</b> in ServiceOS to determine if this document applies to a specific vehicle.	
<b>Vehicle System</b>	96 - Supplemental Components
<b>Minimum Service Location</b>	Mobile

## Potentially Required Parts

Part Number	Quantity	Engineering Name	Service Name/Notes
PT01217229-A	1	TOOL KIT - EXTENDER WITH HOOK	
PT01217230-A	1	TOOL KIT - EXTENDER	

 **Attention:** The parts listed in this table are only for unique steps that are called out in this bulletin. Some sections of this bulletin might refer to Service Manual procedures which require additional parts. Always review the bulletin and all potentially related Service Manual procedures before ordering parts and beginning work.

# Procedure

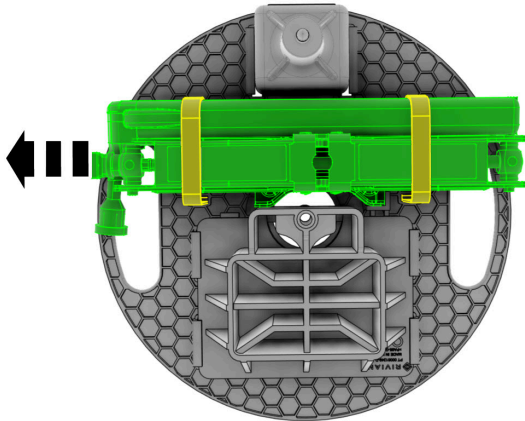
1. Locate: **Tire Service Kit.**



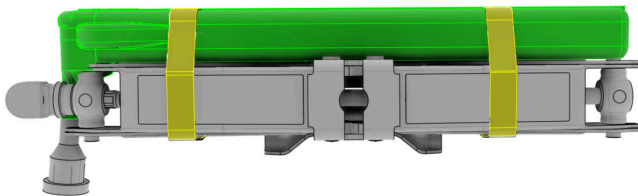
**Note:**

- In most cases, the component is located with the spare tire.
- If the component is not present, it might be necessary to ask the customer where the component is located.

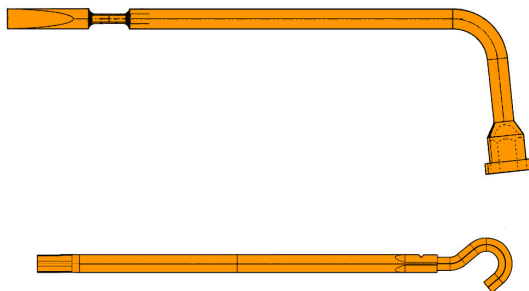
2.



3.



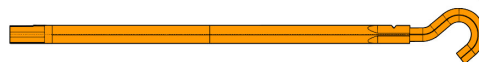
4. Remove the highlighted components from the bag.



If the bag contains additional component(s): No additional work is required. Put the removed components back into the bag. Continue to the next step.

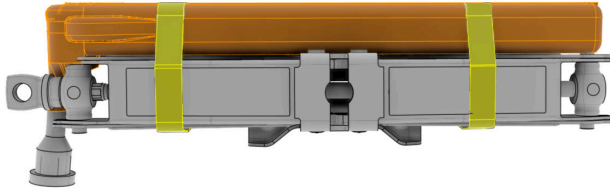
If the bag does not contain additional component(s):

a. Discard:

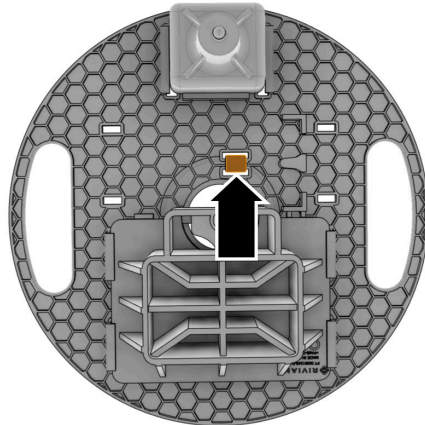
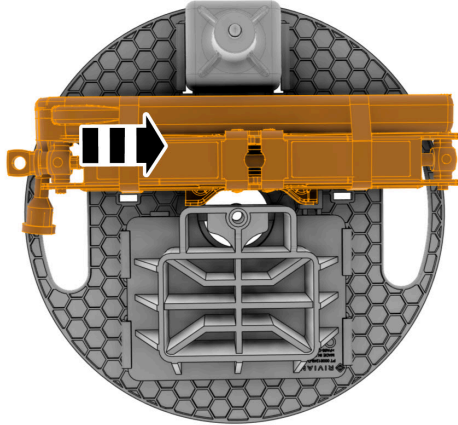


b. Install the required parts into the bag.

5. Secure the bag to the jack as shown:

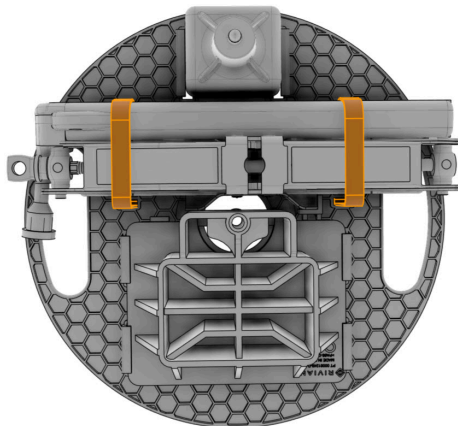


6. To prevent NVH issues: Slide the bag and jack assembly into position. Make sure that the assembly is secured to the highlighted tab.



**Note:** Shown with components removed for clarity.

7. Secure and tighten:



8. Reinstall all components that were removed for access and replace all non-reusable components. Refer to the service manual procedures referenced in this document for additional component reusability information and torque specifications.

## Labor Codes

Labor Code	Description
RCA962400100	RCA-96-24-001 not applicable
RCA962400101	Inspect tire service kit
RCA962400102	Inspect tire service kit, retrofit additional components
<p>Contact <a href="mailto:ServiceDocumentFeedback@rivian.com">ServiceDocumentFeedback@rivian.com</a> regarding labor codes and document content.</p>	