

 Preview Solution CBR-2398-1

Volvo Chassis - HVAC Fresh Air Door Binding

Published 18 September 2024

Valid for Volvo models VNL,VNR,VNX,VAH,VHD model years 2017 to current

This CBR solution addresses the issue of binding between the outer air filter housing and inner HVAC box due to misalignment during installation..

Problem:

- During installation, the outer air filter housing must be perfectly aligned with the body-in-white.
- If the outer and inner boxes are not precisely aligned, the lower flange of the outer box may come into contact with the inner box's flange, causing binding and warping.

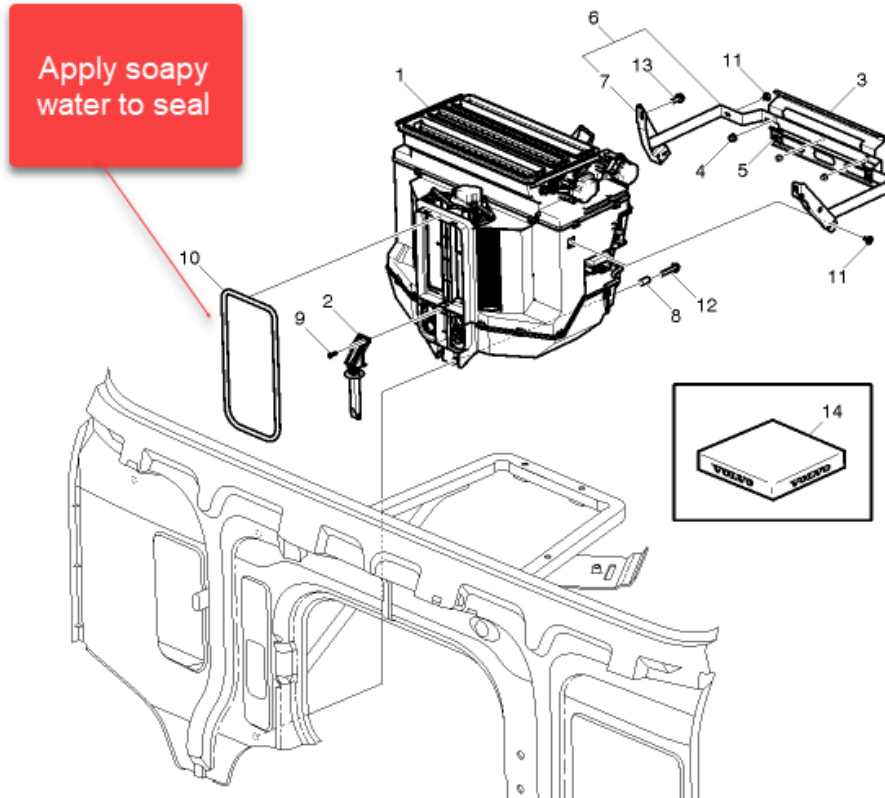




Solution:

1. **Remove the Air Filter Housing** to access the HVAC filter housing.
2. **Remove the HVAC Filter Housing.**
3. **Reinstall the HVAC Filter Housing** using soapy water on the rubber seal to facilitate proper positioning and alignment.

We recommend applying soapy water to ensure the rubber seal is positioned correctly during installation, reducing the risk of binding and warping.



Related links and attachments

No links or attachments available



Share

to others that might find it helpful



Feedback

[Give feedback](#)

to help improve the content of this article