



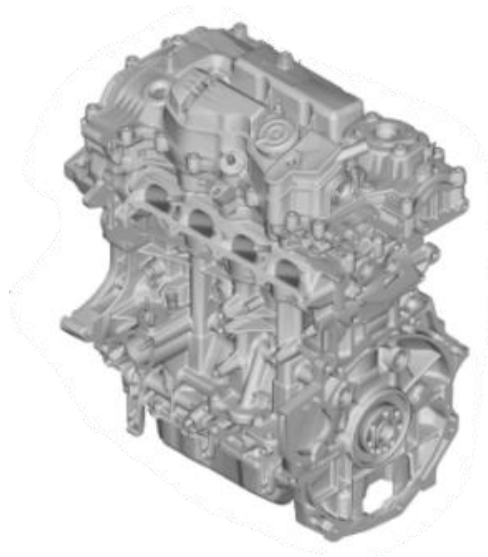
GROUP	MODEL
Voluntary Emissions Service Campaign	2024MY Sportage P/HEV (NQ5 P/HEV)
NUMBER	DATE
SC315	September 2024

VOLUNTARY EMISSIONS SERVICE CAMPAIGN

SUBJECT:

ENGINE INSPECTION AND REPLACEMENT (SC315)

This bulletin provides information to inspect and, if necessary, replace the engine sub assembly on certain 2024MY Sportage P/HEV vehicles produced from January 26, 2024 to February 5, 2024. The engine block in the affected vehicles may contain a porous area in the casting which can cause a coolant leak. Over time, if the vehicle continues to operate with low coolant, the driver may experience an 'Engine Overheat' warning message displayed on the instrument cluster. Also, an engine that overheats may cause the vehicle to release air pollutants which exceed Federal and California standards. These standards were established to protect the public health and welfare from the dangers of air pollution. Follow the procedure outlined in this publication to inspect and, if necessary, replace the engine sub assembly on the applicable vehicle. Before conducting the procedure, verify that the vehicle is included in the list of affected VINs.



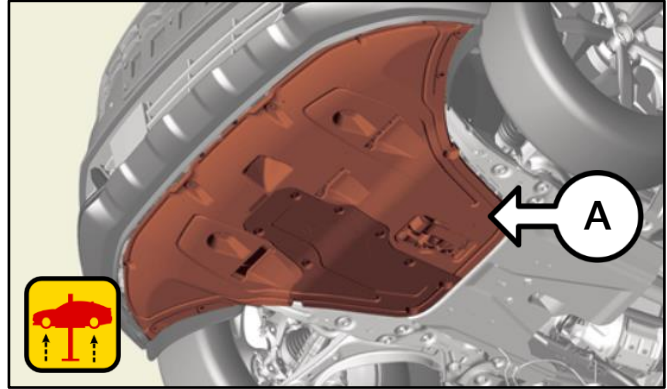
NOTICE

Repair status for a VIN is provided on KDealer+ (Service → Warranty Coverage → Warranty Coverage Inquiry → Campaign Information). Not completed Recall / Service Action reports are available on KDealer+ (Consumer Affairs → Not Completed Recall → Recall VIN → Select Report), which includes a list of affected vehicles.

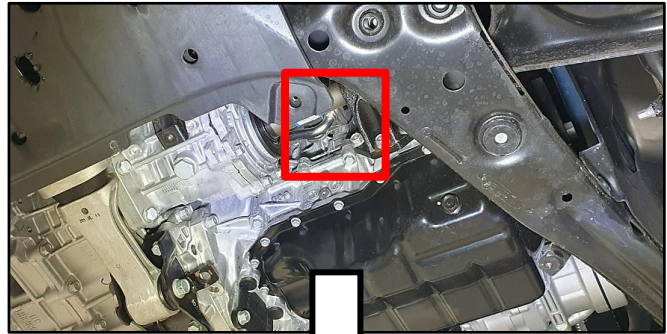
A printed copy is for reference only; publication information can be updated at any time. Always refer to KGIS for the latest information. After logging in kdealer.com, the newest technical publications are listed in 'Service Releases' and has the latest service information that has been released.

Inspection Procedure:

1. Remove the engine under cover (A).

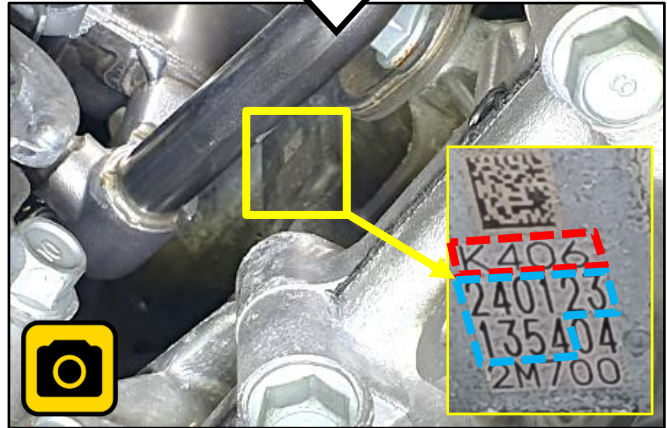


2a. Locate the engine block area shown.

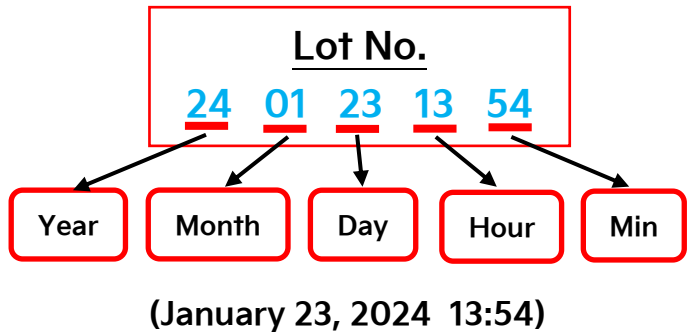


Locate and confirm the Engine Block Lot number stamping falls within the target lot range.

2b. Does the engine block lot number stamping fall within the target lot range?



- **No (OK):** Take one clear KVID photo of the Lot number including the RO information. No further action required. Claim inspection only labor op 24005910.
- **Yes (NG):** Take one clear KVID photo of the Lot number including the RO information, and then replace the engine assembly by proceeding to the 'Replacement Procedure' on page 3.



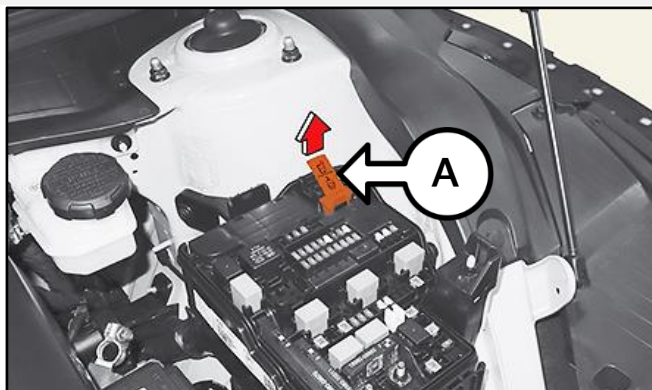
TECH TIP

Use a flashlight if needed to identify the numbering of the block stamping.

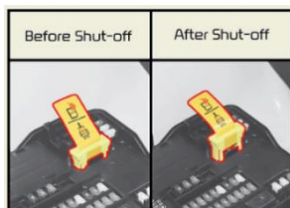
Target Lot: K406 240122 2301 - K406 240123 1630

Replacement Procedure:

1. Perform the **'High Voltage Shut-Off Procedure'** (A) by referring to "Body Electrical System → High Voltage Shut-Off Procedures → High Voltage Shut-Off Procedures (Steps 1-2 Only)" in the applicable Shop Manual on KGIS.

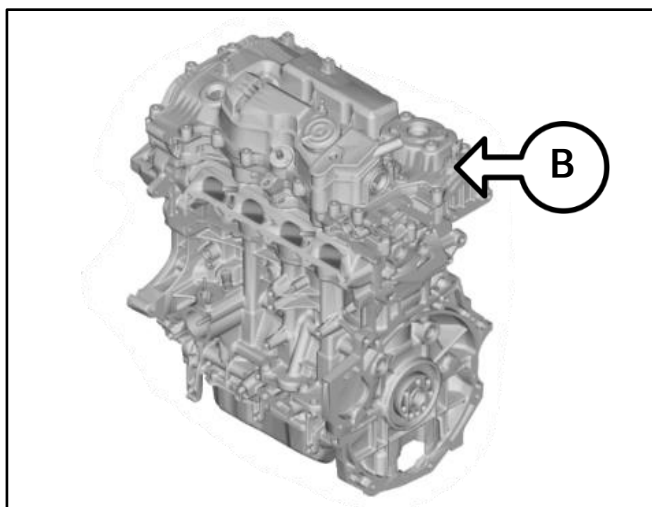
**NOTICE**

It takes at least 5 minutes for capacitor of the high voltage battery system to discharge completely.

**WARNING**

Failure to follow the High Voltage Shut-off Procedure may result in serious electrical injuries.

2. Replace the engine sub assembly (B) by referring to "Engine Mechanical System → Engine and Transaxle Assembly → Engine and Transaxle Assembly → Removal and Installation" in the applicable Shop Manual on KGIS.



3. Reinstall all removed parts in reverse order of removal.
4. Confirm normal vehicle operation.

SUBJECT: **ENGINE INSPECTION AND REPLACEMENT (SC315)**

ATTENTION: THE PROOF OF CORRECTION CARD AND CAMPAIGN COMPLETION LABEL ARE RESTRICTED ONLY TO DEALERS IN THE FOLLOWING STATES:

California, Connecticut, Delaware, Massachusetts, Maine, Maryland, New Jersey, New York, Oregon, Pennsylvania, Rhode Island, Vermont, and Washington. See Parts Information below to order the Proof of Correction Card and Campaign Completion Label from the PDC.

VEHICLE EMISSION RECALL - PROOF OF CORRECTION CARD

A Vehicle Emission Recall - Proof of Correction card must be filled out for all vehicles registered in California, Connecticut, Delaware, Massachusetts, Maine, Maryland, New Jersey, New York, Oregon, Pennsylvania, Rhode Island, Vermont, and Washington. Residents of these states, who own an affected vehicle, will be required to possess a Vehicle Emission Recall - Proof of Correction card as evidence of voluntary service campaign completion, when they apply for vehicle registration renewal.

WHAT TO DO WITH THE CARD:

The Vehicle Emission Recall - Proof of Correction card must be completed by the Dealership's Service Manager using a permanent ink pen. A fine point pen is recommended. When filling in the information, copy the information directly from the vehicle, not the repair order. **ALL INFORMATION MUST BE PRINTED AND NEAT.**

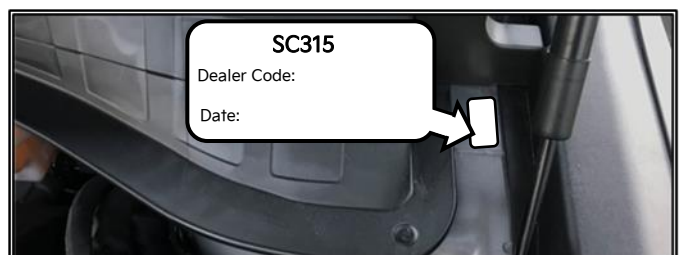
NOTE: DO NOT COMPLETE THE CARD UNLESS THE SERVICE CAMPAIGN WORK IS COMPLETED.

The copy of the card shown below indicates the areas to be filled in. Each area must be filled in. The completed card should be given to the owner of the vehicle upon completion of the Campaign and placement of the Campaign Completion Label outlined below..

FILLING OUT AND APPLYING THE CAMPAIGN COMPLETION LABEL (CA and S.177 STATES ONLY):

The dealer must fill in the Dealer Code and Date information fields on the Campaign Completion Label. Once complete, affix the campaign completion label under the hood of the vehicle, as shown below.

CA and S.177 States Only: Apply SC315 Campaign Completion Label onto the body in the area next to the shock tower, as shown. **NOTE: Be sure to clean the mounting surface to ensure proper label adhesion.**






SUBJECT:

ENGINE INSPECTION AND REPLACEMENT (SC315)**AFFECTED VEHICLE RANGE:**

Model	Production Date Range
Sportage HEV (NQ5 HEV)	January 26, 2024 to February 5, 2024
Sportage PHEV (NQ5 PHEV)	

REQUIRED PART:

Part Name	Part Number	Figure	Qty.
Campaign Completion Label	UT160 SC315		1
Vehicle Emissions Recall Proof of Correction Card	UT161 SC315		1
Engine Sub assembly	185G1 2MH03		1
Exhaust Pipe Gasket	28751 3S100	N/A	2
U-Joint Bolt	56415 L1000		1
Tie Rod End Nut	55259 2M000		2
Tie Rod End Split Pin	57799 4D200		4
Bolt	21991 1J100		1
Turbo Inlet and Outlet Water Pipe Gasket	17512 12000		4
Turbo Oil Drain Upper Gasket	28246 2B710		1
Turbo Oil Drain Lower Gasket	28247 2B700		1
Turbo Oil Feed Pipe Gasket	17512 10000		2
Turbo Oil Feedback Gasket	28241 2B710		1
Turbo Outlet Gasket	28282 2M300		1
Turbo Inlet Gasket	28521 2M800		1
Intake Manifold Gasket	28314 2M800		1
Port Gasket	28411 2M100		2
Throttle Body Gasket	28313 2M100		1
Water Pump Gasket	25124 2M800		1
HPFP Bolt	11405 06206K		2
HPFP Gasket	35320 2GGA1		1
EGR Filter Gasket	28493 2M800		1
EGR Adapter Gasket	28455 2M400		1
EGR Pipe Gasket	28491 2M800	1	

Parts table continued on page ... 6

Printed TSB copy is for reference only; information may be updated at any time. Always refer to KGIS for the latest information.

TSB: SC315 Sportage P/HEV (NQ5) September 2024

SUBJECT:

ENGINE INSPECTION AND REPLACEMENT (SC315)

Part Name	Part Number	Figure	Qty.
High Pressure Fuel Pipe	35305 2M414	N/A	1
Deliver Pipe Flange Bolt	11405 08406K		4
Injector Clip	35309 2M400		4
HPFP O-Ring	35322 2GFAO		1
Injector O-Ring	35312 2M402		4
Injector Support Disk	35312 2M401		4
Injector Washer	35313 2M400		4
Combustion Seal Ring	35312 2M400		4
ITM	25600 2M810		1
Propeller Shaft Bolt (AWD)	49129 L8000		7
Bolt Washer Assy (AWD)	11252 10456K		2
Coolant	UM020 CH263		3 gallons
Engine Oil	NPNEGOW20		6qts

Note: The replacement part numbers will require a VIN entry for parts ordering. DO NOT order this part for stocking purposes, related to this Campaign. Supply is very limited. Until supply stabilizes, please confirm part availability before scheduling customers. Please be sure to expedite warranty claim filing.



SUBJECT:

ENGINE INSPECTION AND REPLACEMENT (SC315)

WARRANTY INFORMATION:

N Code: N99 C Code: C99

Claim Type	Causal P/N	Qty.	Repair Description	Labor Op Code	Op Time	Replacement P/N	Qty.
R	21110 2M701	0	(SC315) Engine Inspection (OK)	24005910*	0.3 M/H	N/A	1
			(SC315) Engine Inspection (NG) + Replacement (FWD)	240059R0*	8.9 M/H	185G1 2MH03	1
			28751 3S100	2			
			56415 L1000	1			
			55259 2M000	2			
			57799 4D200	4			
			21991 1J100	1			
			17512 12000	4			
			28246 2B710	1			
			28247 2B700	1			
			17512 10000	2			
			28241 2B710	1			
			28282 2M300	1			
			28521 2M800	1			
			28314 2M800	1			
			28411 2M100	2			
			28313 2M100	1			
			25124 2M800	1			
			11405 06206K	2			
			35320 2GGA1	1			
			28493 2M800	1			
			28455 2M400	1			
			28491 2M800	1			
			35305 2M414	1			
			11405 08406K	4			
			35309 2M400	4			
			35322 2GFA0	1			
35312 2M402	4						
35312 2M401	4						
35313 2M400	4						
35312 2M400	4						
25600 2M810	1						
UM020 CH263	3						
NPNEGOW20	6						

Warranty Table continued on page 8...



SUBJECT: **ENGINE INSPECTION AND REPLACEMENT (SC315)**

Claim Type	Causal P/N	Qty.	Repair Description	Labor Op Code	Op Time	Replacement P/N	Qty.
R	21110 2M701	0	(SC315) Engine Inspection (NG) + Replacement (AWD)	240059R1*	9.2 M/H	185G1 2MH03	1
						28751 3S100	2
						56415 L1000	1
						55259 2M000	2
						57799 4D200	4
						21991 1J100	1
						17512 12000	4
						28246 2B710	1
						28247 2B700	1
						17512 10000	2
						28241 2B710	1
						28282 2M300	1
						28521 2M800	1
						28314 2M800	1
						28411 2M100	2
						28313 2M100	1
						25124 2M800	1
						11405 06206K	2
						35320 2GGA1	1
						28493 2M800	1
						28455 2M400	1
						28491 2M800	1
						35305 2M414	1
						11405 08406K	4
						35309 2M400	4
						35322 2GFA0	1
						35312 2M402	4
						35312 2M401	4
35313 2M400	4						
35312 2M400	4						
25600 2M810	1						
49129 L8000	7						
11252 10456K	2						
UM020 CH263	3						
NPNENGOW20	6						

Note: Refer to [Warranty Bulletin 2024-58](#) for claim submission procedures. Manually enter sublet code 'X2' for reimbursement of one roundtrip rideshare expense or up to three (3) days of rental expense, with supporting documentation. *A KVID photo of the engine block lot number is required for ALL labor operations. If a KVID photo for the NG condition is not created as described in this TSB, Warranty claim submission issues will occur. The engine should be replaced when an NG condition is found as described in this TSB. Dealers should NOT replace the engine when a GOOD (OK) condition is found. All claims are subject to review and Warranty chargeback.

NOTICE

VIN inquiry data for this repair is provided for tracking purposes only. Kia retailers should reference [SC315](#) when accessing the KDealer+ system.

