



Service Bulletin

Bulletin No.: 05-03-08-002J

Date: August, 2024

INFORMATION

Subject: Information on Diagnosis and Replacement of Shock Absorber and Strut Due to Fluid Leak

Models: 2025 and Prior GM Passenger Cars and Trucks (including Medium Duty)

Attention: This bulletin applies to the following Regions/Countries: North America, Europe, Uzbekistan, Russia, Middle East, Iraq, Israel, Palestine, Argentina, Brazil, Bolivia, Chile, Colombia, Ecuador, Paraguay, Peru, Uruguay, Venezuela, Japan, Cadillac Korea (South Korea), GM Korea Company, China, Taiwan, Thailand, Singapore, Philippines, Australia/New Zealand, Egypt, Other Africa, South Africa

This bulletin has been revised to add the 2022-2025 Model Years and the first two Important statements. Please discard Corporate Bulletin Number 05-03-08-002I.

Important: This technical service bulletin (TSB) can only be completed by certified repair facilities who have met all specific training, tool and equipment requirements pertaining to the vehicle Brand and Model serviced. Repairs must be performed by a technician who has successfully completed the required training.

Important: Service agents must comply with all International, Federal, State, Provincial, and/or Local laws applicable to the activities it performs under this bulletin, including but not limited to handling, deploying, preparing, classifying, packaging, marking, labeling, and shipping dangerous goods. In the event of a conflict between the procedures set forth in this bulletin and the laws that apply to your dealership, you must follow those applicable laws.

This bulletin is intended to help identify the severity of shock absorber and strut fluid seepage. Improper diagnosis may lead to components being replaced that are within the manufacturer's specification. Shock absorbers and strut assemblies are fluid-filled components and will normally exhibit some seepage. Seepage is defined as oil film or dust accumulation on the exterior of the shock housing. Shock absorbers and struts are not to be replaced under warranty for seepage. Use the following information to determine if the condition is normal acceptable seepage or a defective component.

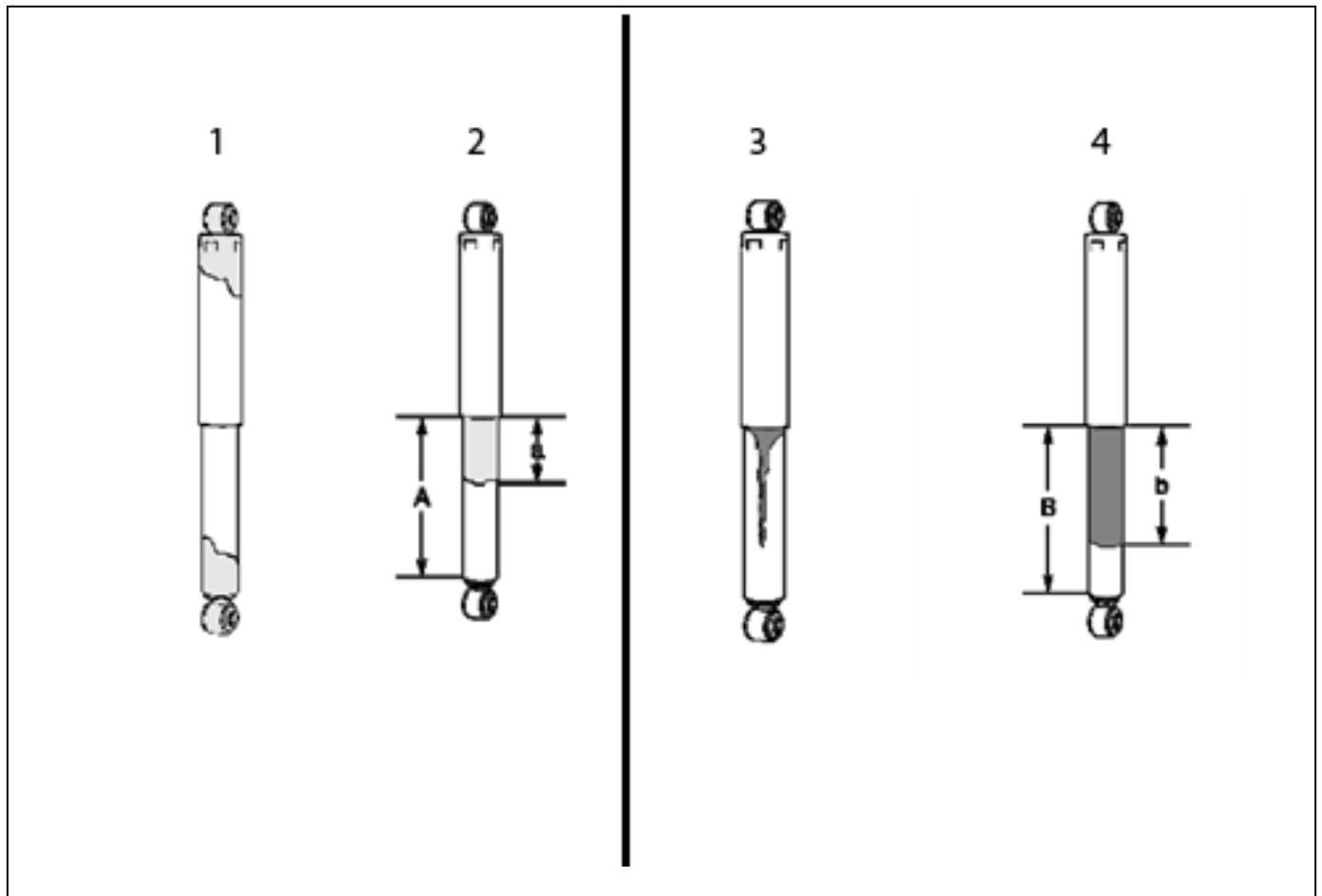
Important: Electronically controlled shock absorbers (MR) may have a tendency to attract dust to this oil film. Often this film and dust can be wiped off and will not return until similar mileage is accumulated again.

Inspection Procedure

Note: The shock absorber or strut assembly DOES NOT have to be removed from the vehicle to perform the following inspection procedure.

Use the following descriptions and graphics to determine the serviceability of the component.

Shock Absorbers



2360533

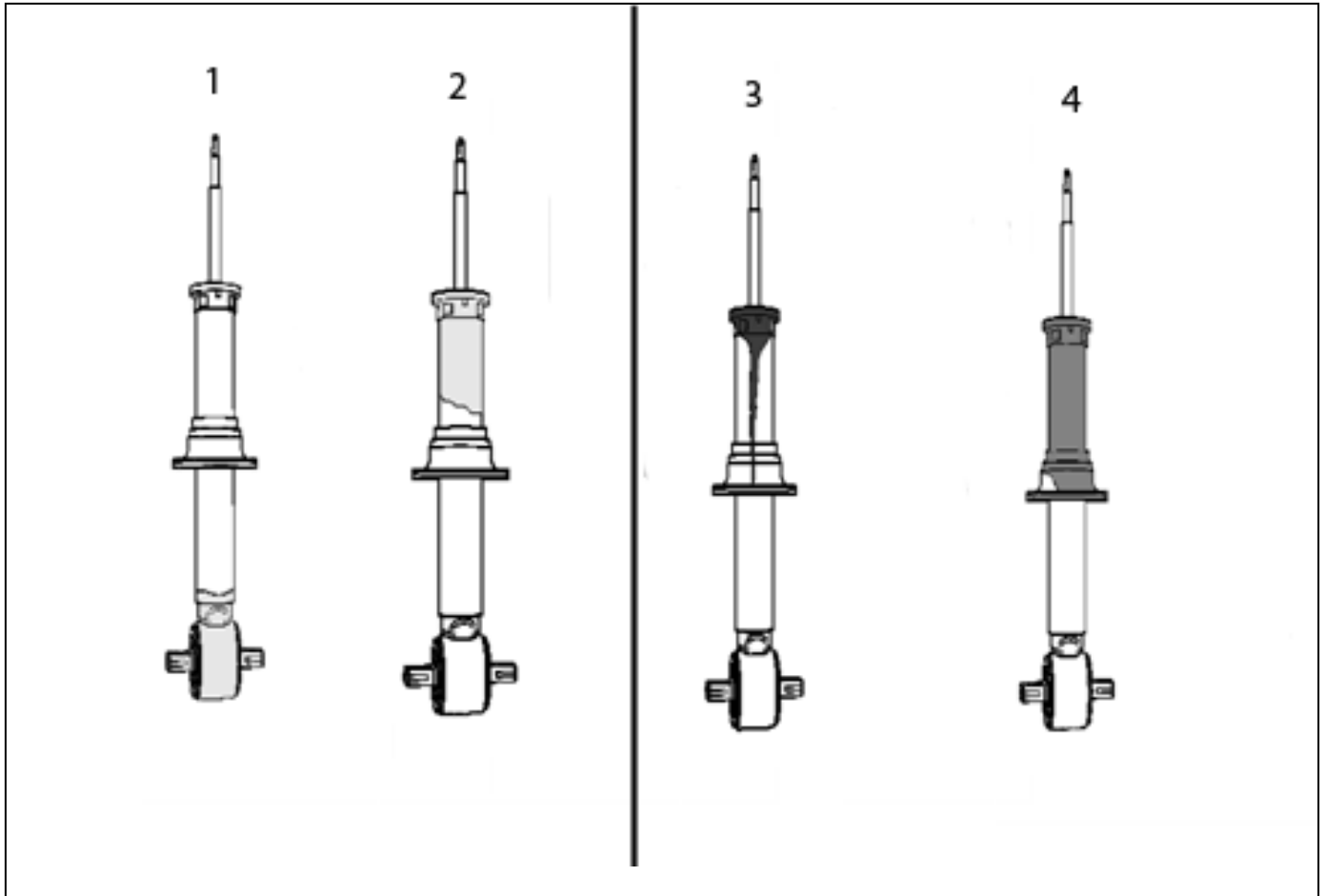
Do Not Replace shock absorbers displaying condition 1 or 2 levels of seepage.

1. Oil or fluid residue only on the bottom or top of the shock absorber and not originating from the shaft seal (the upper part of the lower shock tube).
2. Light film/residue on approximately 1/3 (a) or less of the lower shock tube (A) and originating from the shaft seal.

Replace shock absorbers displaying conditions 3 and 4 levels of leaks.

3. Oil drip or trail down the lower shock tube and originating from the shaft seal.
4. An extreme wet film of oil covering more than 1/3 (b) of the lower shock tube and originating from the shaft seal.

Coil-over Shock Absorber



2360536

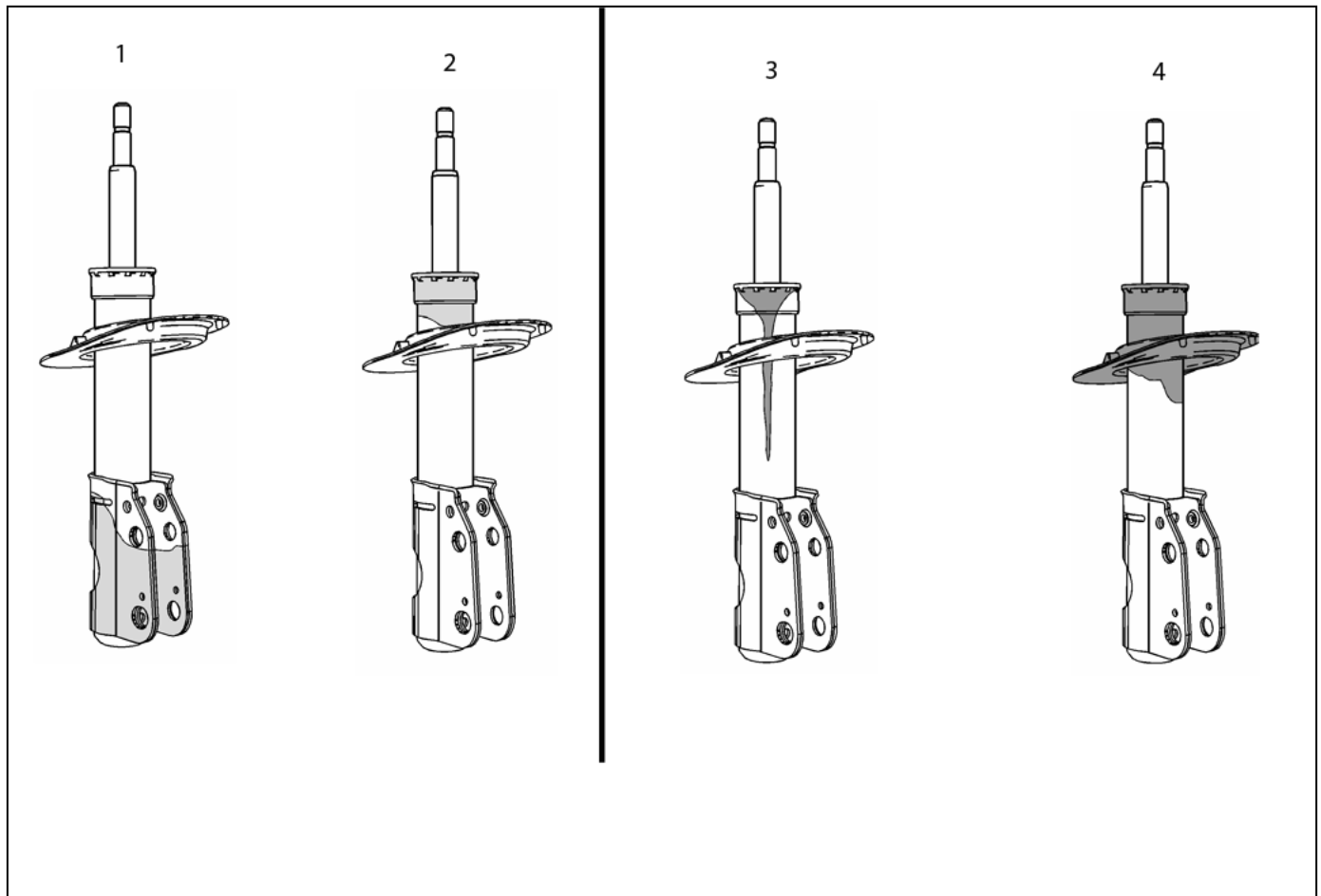
Do Not Replace coil-over shock absorbers displaying condition 1 or 2 levels of seepage.

1. Oil or fluid residue only on the bottom of the lower shock absorber tube or the coil-over shock absorber components and not originating from the shaft seal (located at the top of the coil-over shock tube).
2. Light film/residue on the shock absorber tube, but not on the spring seat and originating from the shaft seal.

Replace coil-over shock absorbers displaying conditions 3 and 4 levels of leaks.

3. Oil drip or trail down the lower shock tube and originating from the shaft seal.
4. An extreme, wet film of oil covering the shock absorber tube and pooling in the spring seat and originating from the shaft seal.

Struts



2362740

Do Not Replace Struts displaying condition 1 or 2 levels of seepage.

1. Oil or fluid residue only on the bottom of the strut tube or on other strut components and not originating from the shaft seal.
2. Light film/residue on the strut tube, but not on the spring seat and originating from the shaft seal.

Replace Struts displaying conditions 3 and 4 levels of leaks.

3. Oil drip or trail down the strut tube and originating from the shaft seal (located at the top of the strut tube).
4. Extreme wet film of oil covering the strut tube and pooling in the spring seat and originating from the shaft seal.

Correction

Use the information published in SI for diagnosis and repair.

Use the applicable published labor operation.

Note: Do not replace the shocks as pairs if only one shock has been found to be the cause of the customer's concern.