



# TECHNICAL SERVICE BULLETIN

<b>Subject</b>	PECL Fitting Replacement 40' FT
<b>Issue Date</b>	07/19/2023
<b>Service Bulletin Number</b>	SC-23-091
<b>Models Affected</b>	Service Specified Vehicles
<b>Complete By</b>	Next Service Opportunity
<b>Labor Operation Code</b>	CC66Z

**Description:**

This Technical Service Bulletin covers the procedure for replacing the Power Electronic Coolant Loop quick connect fittings with more durable brass fittings.

Labor Table				
	Operation	Technicians	Hours	Labor Time (T x H)
1	Steps 1-4	1	.75	.75 Hours
<b>Total Labor Time</b>				<b>.75 Hours</b>

If there are questions about the procedure, please contact the Proterra Customer Service Team at the phone number or email provided.

**864-438-0000**  
**[Service@Proterra.com](mailto:Service@Proterra.com)**



## Parts Required:

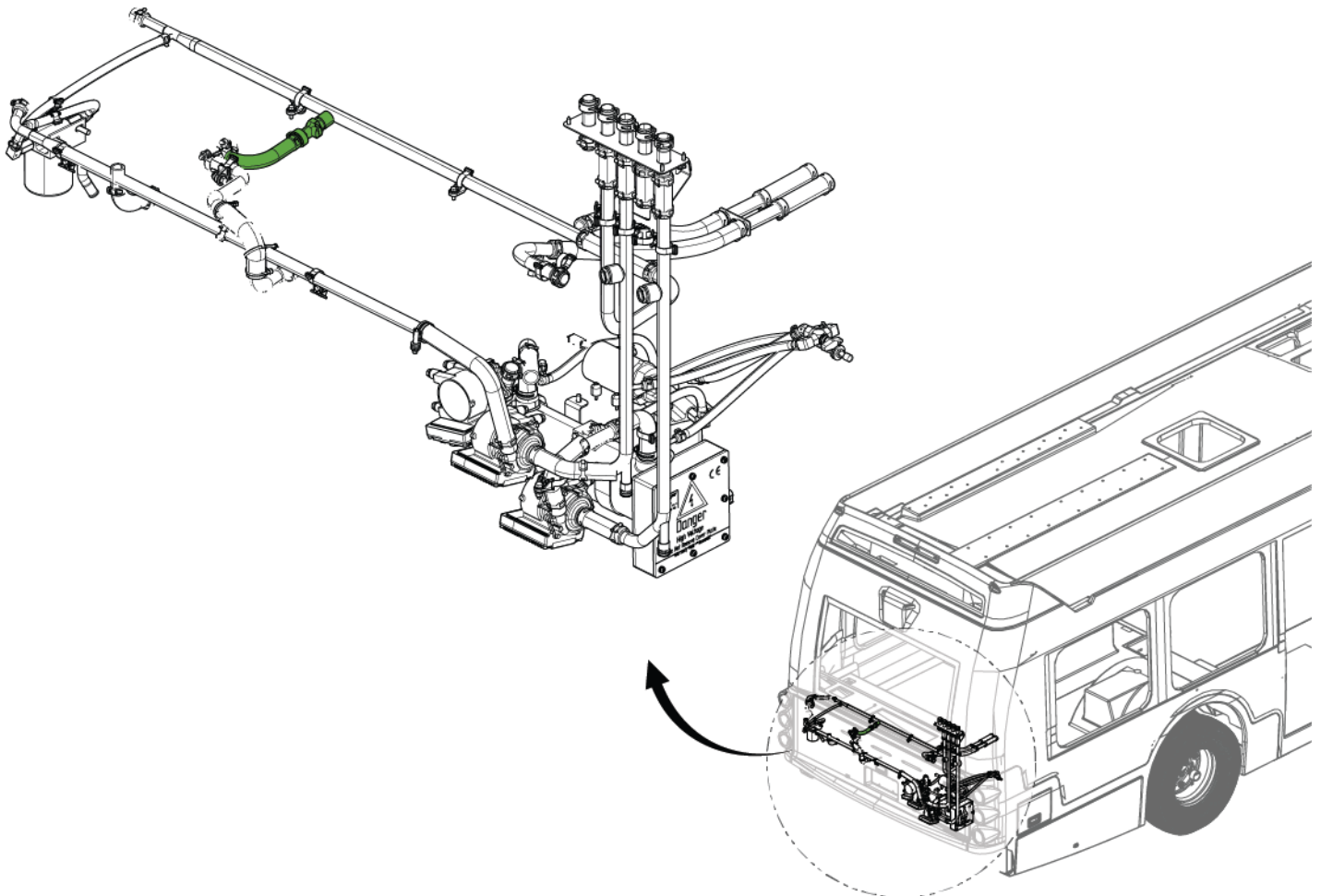
Item	Part Number	Description	Qty.	UOM
1	191-4501	FITTING, CHROME-PLATED BRASS, 1/2" MNPT X 3/8" FNPT REDUCER	1	EA
2	191-4500	FITTING, BRASS, 3/4" BARB X 3/8" NPT MALE	1	EA
3	030159	HOSE, COOLANT, BELLOWSFLEX, SAE J2006R2, Ø0.75 ID	10	IN
4	044137	CLAMP, CONSTANT TENSION WORM DRIVE, 21 to 38mm OD HOS 1	1	EA
5	017650	TEFLON TAPE, HEAVY DUTY	N/A	N/A

## Tools Required:

- M8 hex socket/driver
- 1-inch crescent wrench

## Step 1:

Open the trunk to access the cooling system components and drain the Power Electronic Coolant Loop (PECL).

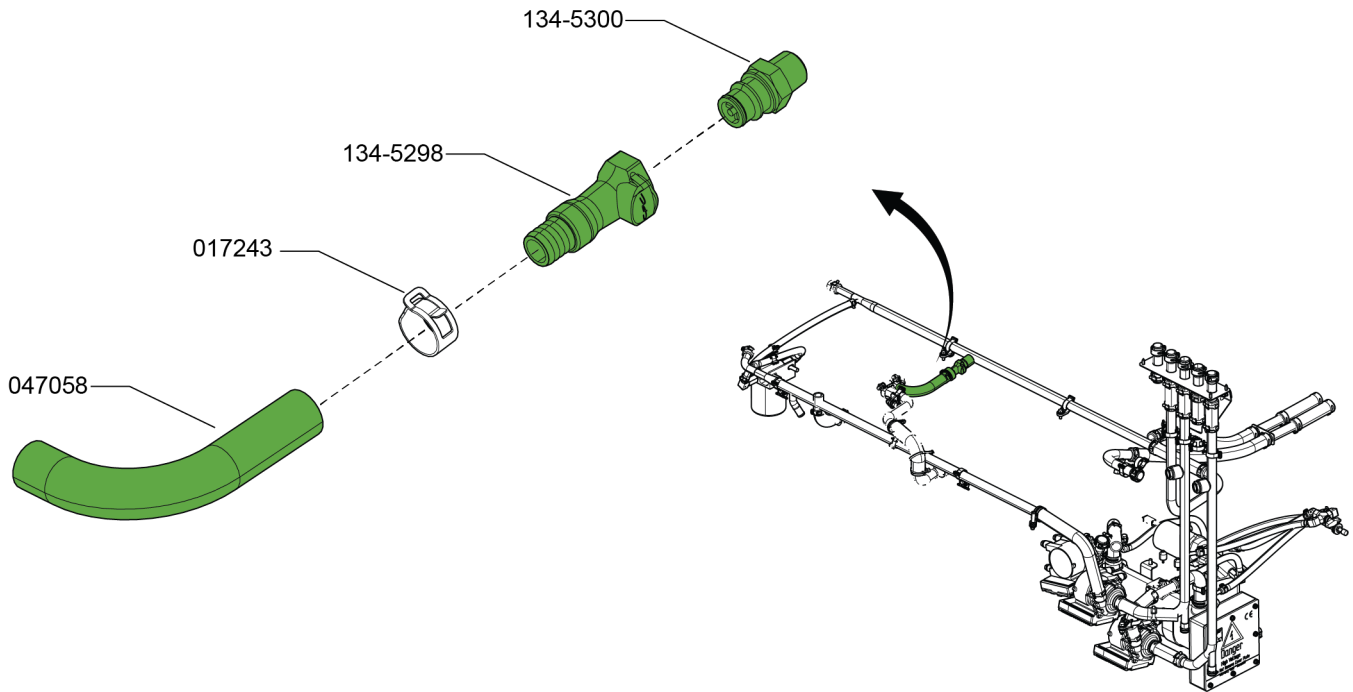


---

## Step 2:

Loosen the worm-drive clamp and remove the quick connect fittings (134-5298 and 134-5300) and elbow hose (047058).

---



---

## Step 3:

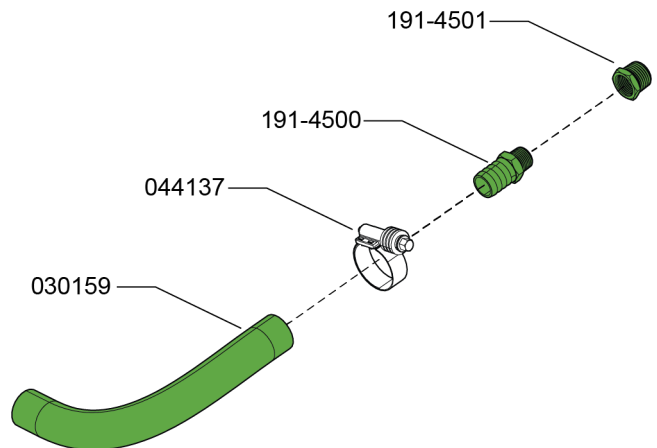
Wrap the threads of the new fittings (191-4500 and 191-4501) with Teflon tape and leave the last three threads exposed.

Install fitting 191-4501 into PECL hardline.

Thread fitting 191-4500 into 191-4501.

Attach replacement hose (030159) and secure with worm-drive clamp.

Refill PECL.



---

## Step 4:

The replacement procedure is now complete and the bus may be returned to service.