

**Surround Camera Intermittent Operation**

**Vehicles Affected**

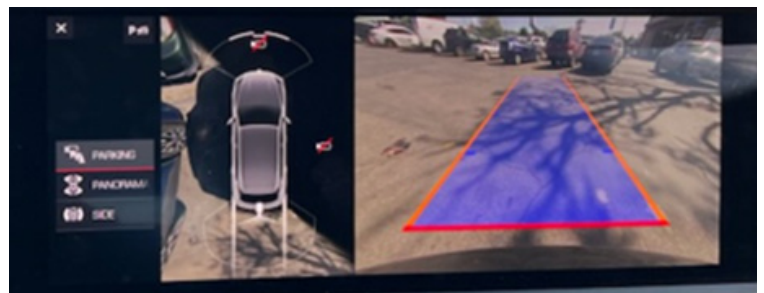
Models	Model Year	Model Type	VIN Range	Vehicle-Specific Equipment
Cayenne	As of 2019 up to 2025	9YA, 9YB	N/A	KA6

**Revision History**

Revision	Release Date	Changes
0	October 13, 2023	Original document
1	December 6, 2023	Update of Service Information & Warranty
2	July 23, 2024	Update of labor ops for 9YB
3	August 28, 2024	Update of Vehicles Affected & Part ID

**Condition**

Customer complains of intermittent operation for one or multiple surround view cameras while appearing blank with a crossed-out camera icon for each failed camera.



## Technical Background

Any component failure of the surround view system can lead to a single or a combination of surround camera images being blank within the PCM display.

Fault codes that may be present include:

- **B200FFA – Surround View camera – internal fault**
- **B127C04 – Front camera faulty**
- **B127D04 – Reversing camera faulty**
- **B127E04 – Side camera (left) faulty**
- **B127F04 – Side camera (right) faulty**
- **C12AE02 – Front peripheral camera, video wiring, Signal error**
- **C12AF02 – Rear peripheral camera, video wiring, Signal error**
- **C12B002 – Left peripheral camera, video wiring, Signal error**
- **C12B102 – Right peripheral camera, video wiring, Signal error**

## Service Information

1. Create a Pre-VAL.
2. Verify the concern is isolated to the surround view system and no outside influences are found at each camera and connection. (Reference all supporting diagnostic work with objective evidence of the issue, e.g., pictures or videos.)
3. Replace the components listed below:
  - a. All four surround cameras
  - b. All antenna cable lines including:
    - Lines to each camera located at:
      - front bumper (**Figure 1 - #6**)
      - tailgate (**Figure 1 - #7**)
      - both side view mirrors (**Figure 1 - #5**)
    - Lines to the zFAS control unit:
      - zFAS to driver side A-pillar (**Figure 1 - #1**)
      - zFAS to passenger side A-pillar (**Figure 1 - #2**)
      - zFAS to front bumper connection (**Figure 1 - #3**)
      - zFAS to tailgate connection (**Figure 1 - #4 & #9**)
  - c. Both front door harnesses (**Figure 2 - #1 & #2**)
  - d. Both side-view mirror harnesses (**Figure 3 - #10**)
  - e. zFAS control unit
4. Verify operation of the surround view system after the repair has been completed.
5. Create a Post-VAL.

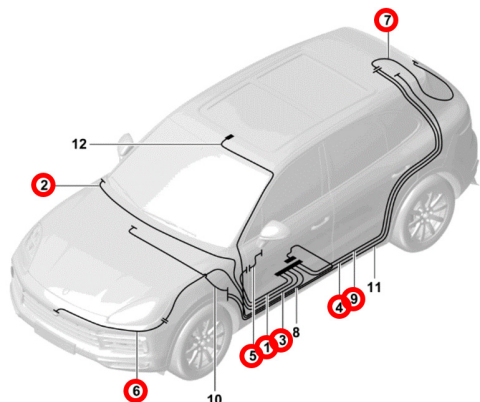


Figure 1 - Antenna cable lines



Figure 2 - Door harnesses

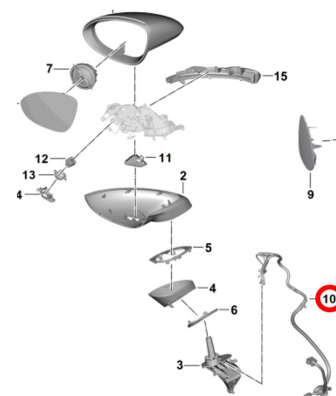


Figure 3 - Side-view mirror harness

Warranty

For documentation and warranty invoicing, enter the working position and PCSS encryption specified below in the warranty claim:

APOS	Labor operation	I No.
91691900	Front camera remove and reinstall	
91671901	Side camera remove and reinstall (left)	
91671902	Side camera remove and reinstall (right)	
91431900	Reversing camera control unit remove and reinstall	9YA
91431930	Reversing camera control unit remove and reinstall	9YB
91725500	Surround View camera control unit replace	
91025500	Assistance systems central control unit replace	
97321901	Front door wire harness remove and reinstall (left)	
97321902	Front door wire harness remove and reinstall (right)	
70031901	Rear luggage compartment side trim panel remove and reinstall (left)	
70031902	Rear luggage compartment side trim panel remove and reinstall (right)	
68371901	Rear grab handle remove and reinstall (left)	
68371902	Rear grab handle remove and reinstall (right)	
70691901	D-pillar trim panel remove and reinstall (left)	9YA
70691902	D-pillar trim panel remove and reinstall (right)	9YA
70691931	D-pillar trim panel remove and reinstall (left)	9YB

APOS	Labor operation	I No.
70691932	D-pillar trim panel remove and reinstall (right)	9YB
70871901	Trim panel for rear lid remove and reinstall (left)	9YA
70871902	Trim panel for rear lid remove and reinstall (right)	9YA
70871931	Trim panel for rear lid remove and reinstall (left)	9YB
70871932	Trim panel for rear lid remove and reinstall (right)	9YB
70411902	Front floor covering remove and reinstall (right)	
70461900	Floor covering center remove and reinstall	
70841999*	Loosen and fasten rear section of headliner	
97091999**	Create and overlay new coax cables from zFAS control unit to individual cameras	

\* **50 TU may be claimed for 70841999.**

\*\* **Only actual time elapsed up to a maximum of 400 TU, verified by a separate identifiable time punch, may be claimed for 97091999.**

PCSS encryption:

Location (FES5)	91720	Surround view camera control unit
Damage type (SA4)	1613	No function occasionally

### Search Items

E3, Cayenne, RTV, surround camera, camera, reverse

**Important Notice:** Technical Bulletins issued by Porsche Cars North America, Inc. are intended only for use by professional automotive technicians who have attended Porsche service training courses. They are written to inform those technicians of conditions that may occur on some Porsche vehicles, or to provide information that could assist in the proper servicing of a vehicle. Porsche special tools may be necessary in order to perform certain operations identified in these bulletins. Use of tools and procedures other than those Porsche recommends in these bulletins may be detrimental to the safe operation of your vehicle, and may endanger the people working on it. Properly trained Porsche technicians have the equipment, tools, safety instructions, and know-how to do the job properly and safely. Part numbers listed in these bulletins are for reference only. The work procedures updated electronically in the Porsche PIWIS diagnostic and testing device take precedence and, in the event of a discrepancy, the work procedures in the PIWIS Tester are the ones that must be followed.