

Wheel Nut Torque

Service Category: Service Department

Section: Function Group 773

Technician Skill Level A

Market North America

Applicability

VOLVO

Years	Models
2025	VN, VHD

Introduction

Volvo Trucks has determined that certain VN and VHD model vehicles could have un-torqued wheel nuts on the left side of the vehicle. Left side wheel nuts on effected vehicles will need to be inspected and torqued to specification.

Production Change Information

This bulletin applies to vehicles built within the specified production changes below.

Brand	Engine	Emission Level	Starting Build Date	Ending Build Date
Volvo	D13	EM-USA21	19-August-2024	26-August-2024

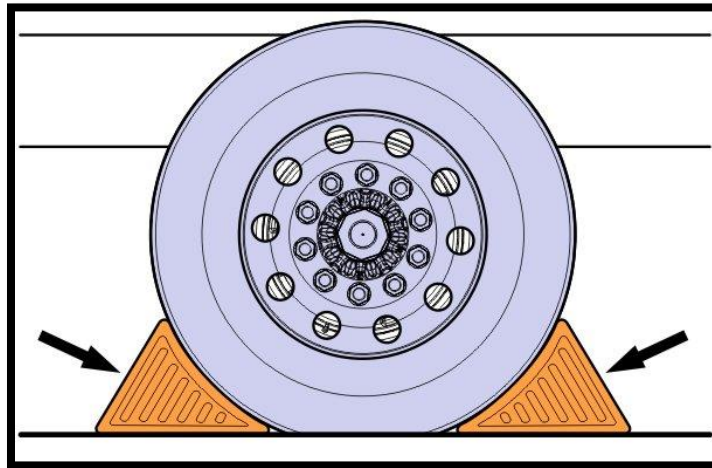
Warranty Information

This repair may be eligible for reimbursement if a product failure was experienced with in time and mileage limits of the applicable Warranty coverage. Reimbursement is obtained via the normal claim handling process.		
Claim Type (used only when uploading from the Dealer Bus. Sys.)		B
Main Labor Code	Description 4x6 Truck Only	Hours
1720-16-09-01	Campaign General 0.1x9	0.9
Main Labor Code	Description 4x2 Truck Only	Hours
1720-16-09-01	Campaign General 0.1x6	0.6
Causal Part	21807998	
SCC Authorization Code	S0425	
Expiration Date	August 31, 2025	

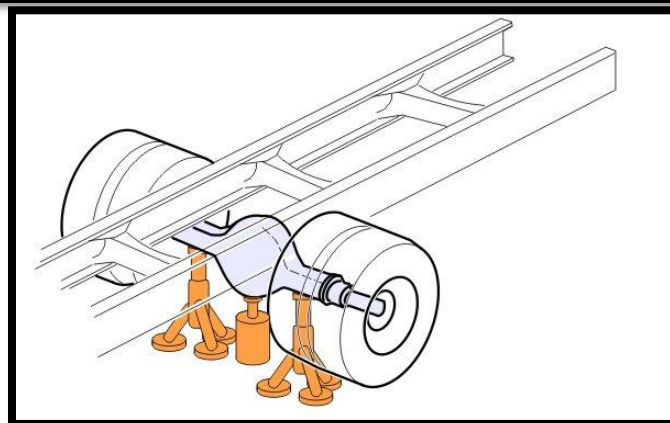
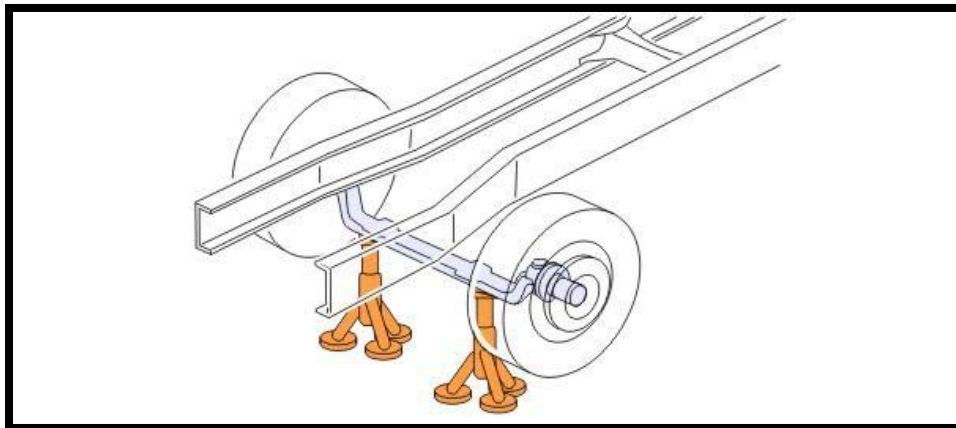
Wheel Nut Torque

Repair Procedure

1. Park the vehicle on a level surface.
2. Apply the parking brake.
3. Place the gear selector in neutral.
4. Install the wheel chocks.

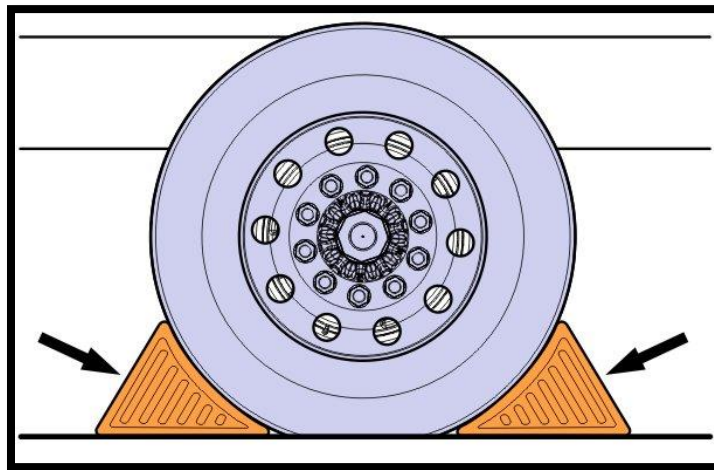


5. Lift all left side wheel ends and place on jack stands.



Wheel Nut Torque

6. Inspect all left side wheels, wheel studs, and nuts.
 - If no damage is found, please proceed to next step.
 - If damage is found, please email campaign@volvo.com. In email, include the campaign number, VIN, and description of damage.
7. Torque all left side wheel nuts to 475 ± 25 ft-lb.
8. Lift truck and removed jack stands.
9. Remove wheel chocks.



10. Return the truck to service.