

Bulletin #: AS-57-24		<input type="checkbox"/> Take Note <input checked="" type="checkbox"/> Take Action	
<input type="checkbox"/> Retail Operator	<input type="checkbox"/> Sales Pre-Owned	<input checked="" type="checkbox"/> Business Manager	<input checked="" type="checkbox"/> Parts & Accessories
<input checked="" type="checkbox"/> General Manager	<input type="checkbox"/> Sales New Bike	<input checked="" type="checkbox"/> Service	<input type="checkbox"/> Administration
Name:		Phone Number:	
Title: Material Planning and Parts Logistics Specialist Email:		Source: Parts Logistics	
Date: 8/28/2024		Supersedes: -	

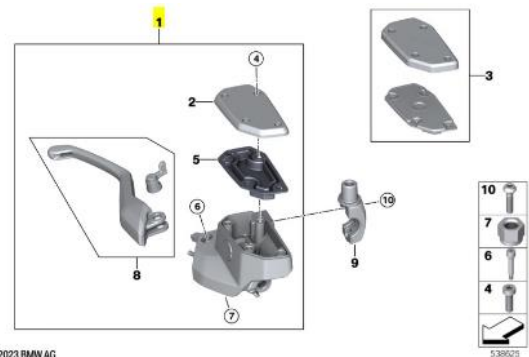
# TEC678 HANDBRAKE CONTROL ASSEMBLY

## INSPECT OF ALL PARTS ON STOCK

### OVERVIEW

BMW AG has requested the inspection of all dealer stock of the following part number(s) listed below to ensure Handbrake Control Assembly was received with good part date range.

Description	Part Number
Handbrake Control Assembly	32 72 1 643 679
Handbrake Control Assembly	32 72 1 661 072



- The image to the right shows the parts as depicted in ETK. Please see below pictures for assistance determining affected stock.
- Remaining stock should not be sold or installed on any vehicle.
- Concerned are all remaining new, spare parts shipped and delivered to date only.
- Please return all incorrect part(s) to your facing Regional Distribution Center (RDC). Submit for return using a YR26 damage claim with order reason BM2. A valid BMW delivery and delivery item number must be entered, and 'TEC678' must appear in the text of your TEC claim.
- For assistance locating the delivery number, please open an IDS ticket with Dealer Services in the Claims section directed to Returns/Claims/Quality.

**MAKE LIFE A RIDE**



**BMW  
MOTORRAD**

## MORE DETAILS

- TEC678 is valid from August 28, 2024, through September 18, 2024. The deadline for filing a claim under TEC678 is September 18, 2024.
- All parts must be returned to your facing RDC no later than October 2, 2024.
- Please re-order the new part as needed.

<p style="text-align: center;"><b>Affected Parts (NOT OK)</b></p> <p style="text-align: center;"><b>All parts on stock delivered prior to 8/24/2024.</b></p>	<p style="text-align: center;"><b>Non Affected Parts (OK)</b></p> <p style="text-align: center;"><b>All parts delivered after 8/24/2024.</b></p>
--	--

## MORE QUESTIONS?

Material Planning and Parts Logistics Analyst		
Aftersales Marketing Specialist		
Aftersales Business Development Manager		

**MAKE LIFE A RIDE**