



Service Bulletin

Bulletin No.: 23-NA-011

Date: August, 2024

INFORMATION

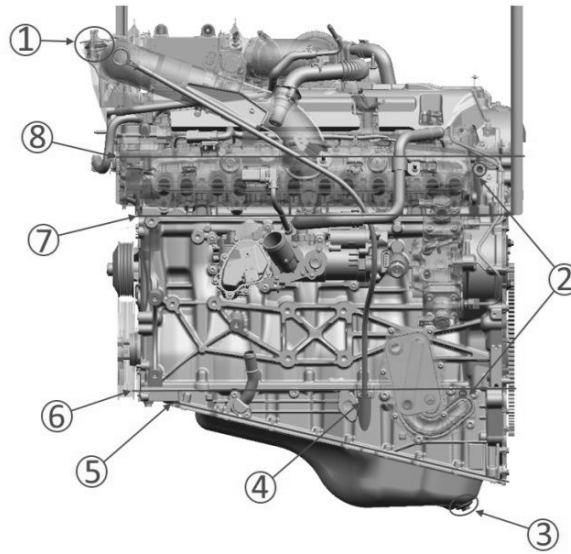
Subject: 3.0L Duramax Possible Oil Leak Path Information

Brand:	Model:	Model Year:		VIN:		Engine:	Transmission:
		from	to	from	to		
Cadillac	Escalade Models	2021	2024			LM2, LZ0	
Chevrolet	Silverado 1500	2020	2025				
	Suburban	2021					
	Tahoe	2021					
GMC	Sierra 1500	2020	2025				
	Yukon Models	2021					

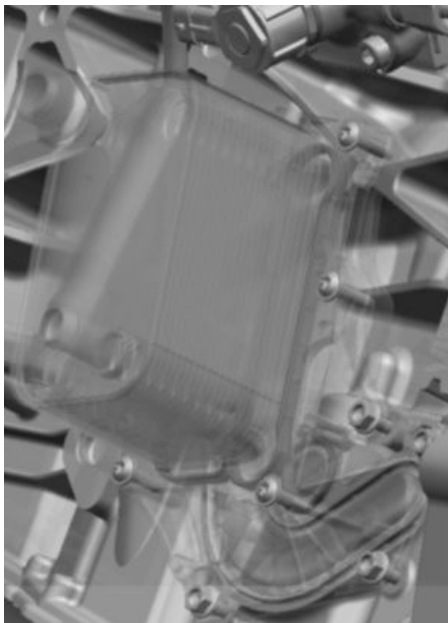
Involved Region or Country	North America
Condition	Some customers may comment on an oil leak from the engine.
Information	This document is to help identify where to look for an oil leak on the 3.0 Duramax engine. Please use the illustrations below as a guide of where to look for a potential oil leak. These Illustrations are of a LZ0 engine; the LM2 would be similar.

Important: Service agents must comply with all International, Federal, State, Provincial, and/or Local laws applicable to the activities it performs under this bulletin, including but not limited to handling, deploying, preparing, classifying, packaging, marking, labeling, and shipping dangerous goods. In the event of a conflict between the procedures set forth in this bulletin and the laws that apply to your dealership, you must follow those applicable laws.

Possible Oil Leak Paths



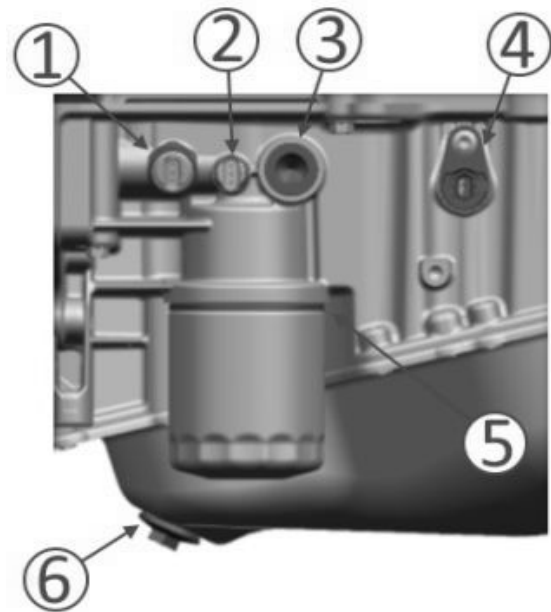
1. Oil Filler Neck Seal
2. Oil Galley Plugs
3. Oil Pan Drain Plug
4. Oil Indicator Tube Seal
5. Oil Pan Gasket
6. Engine Bed-Plate Gasket
7. Cylinder Head Gasket
8. Valve Rocker Arm Cover Gasket



6262643

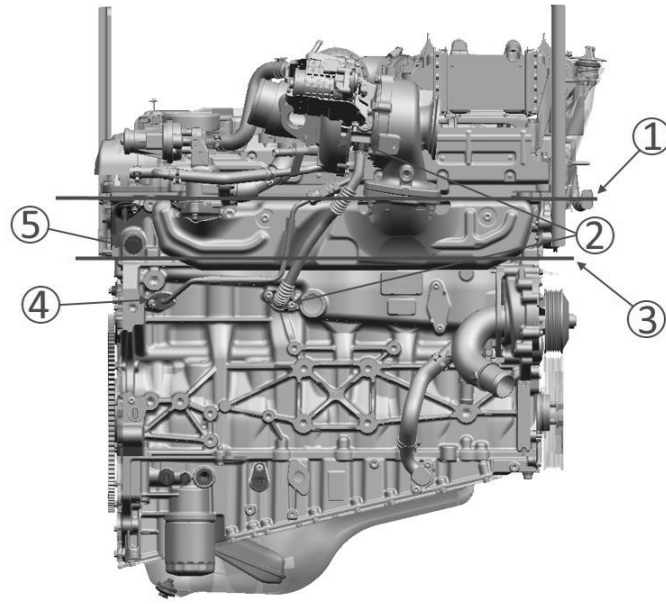
6262592

Ghost view of the Oil Cooler Cover to reveal the seal.



1. Oil Pressure Sensor
2. Oil Temperature Sensor
3. Oil Galley Plug
4. Oil Pump Solenoid Valve Connector
5. Oil Filter Seal
6. Oil Drain Plug

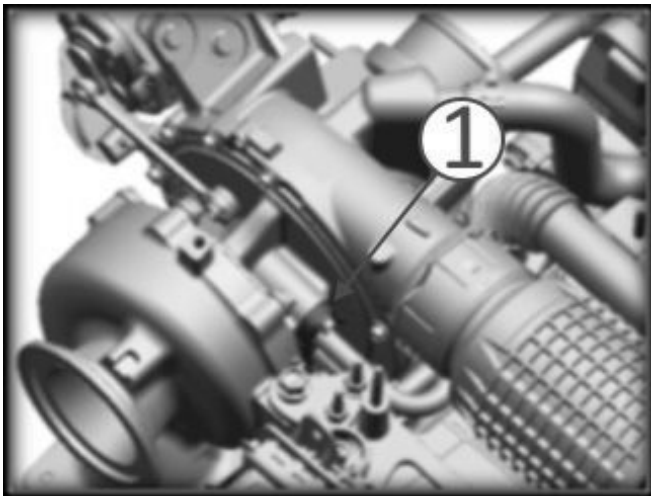
6262632



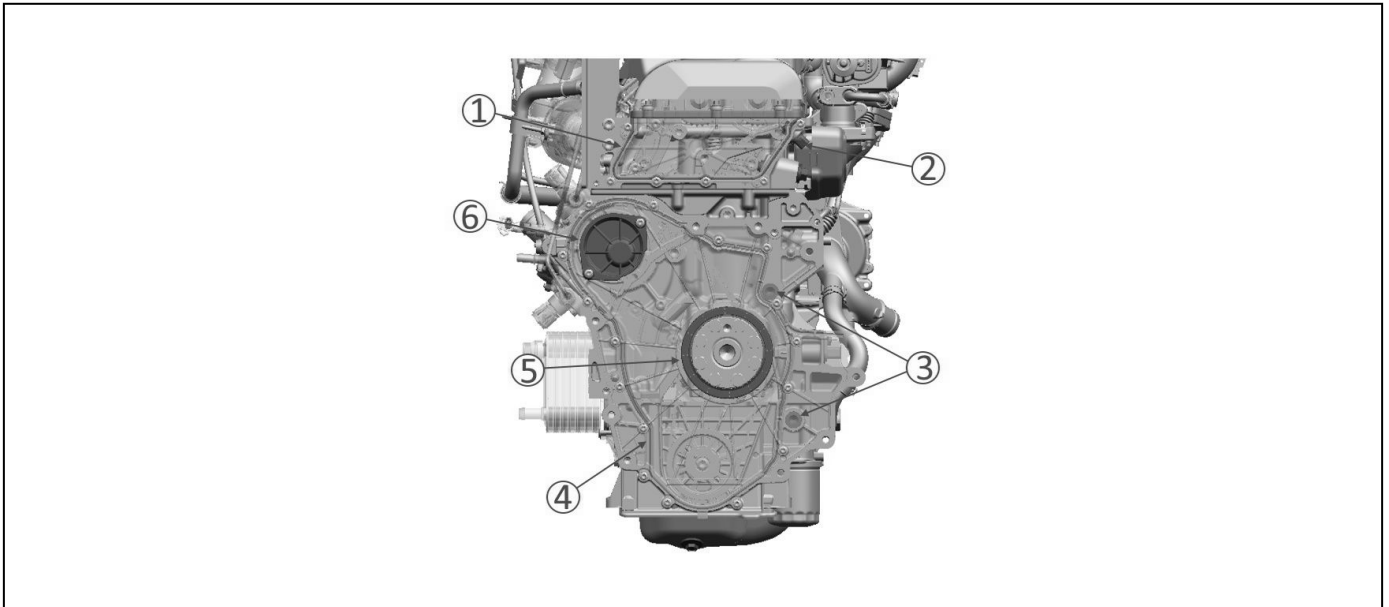
- 1. Valve Rocker Arm Cover Gasket
- 2. Upper and Lower Turbo Return Line Seals
- 3. Cylinder Head Gasket
- 4. Lower Turbo Feed Line Seal
- 5. Tensioner Timing Chain

Upper Turbo Oil Supply Line Seal.

6262637

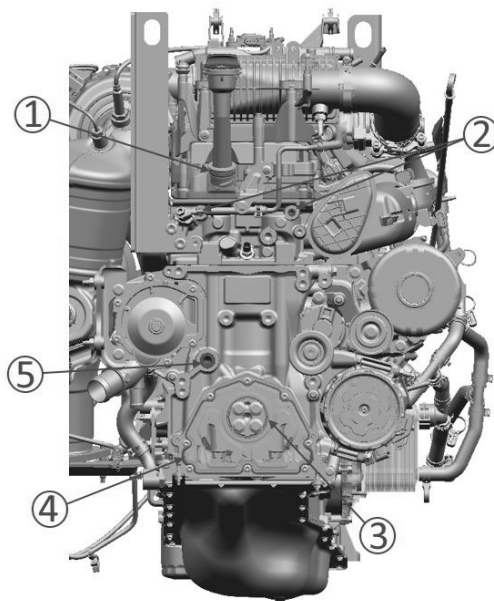


6262662



6262659

- | | |
|-----------------------|----------------------------------|
| 1. Cover Timing Chain | 4. Timing Chain Cover Lower Seal |
| 2. Camshaft Sensor | 5. Rear Crankshaft Seal |
| 3. Oil Gallery Plugs | 6. Fuel Pump Cover |



6262626

- | | |
|---------------------------|---------------------------|
| 1. Oil Filler Neck Seal | 4. Front Cover Seal |
| 2. Upper Oil Galley Plug | 5. Lower Oil Gallery Plug |
| 3. Front Crank Shaft Seal | |

Version	3
Modified	Released February 06, 2023 Revised August 02, 2023 - Added the 2024 Model Year. Revised August 09, 2024 - Added 2025 to Model Year.

