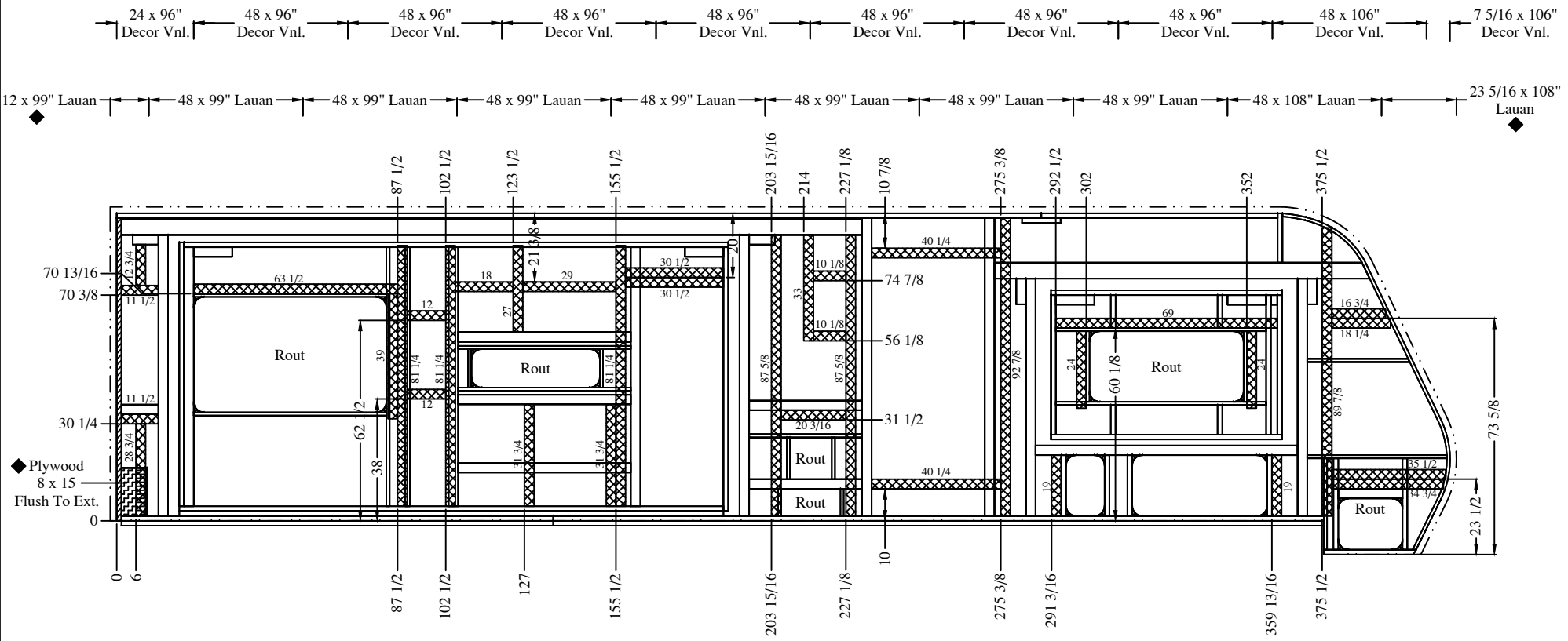



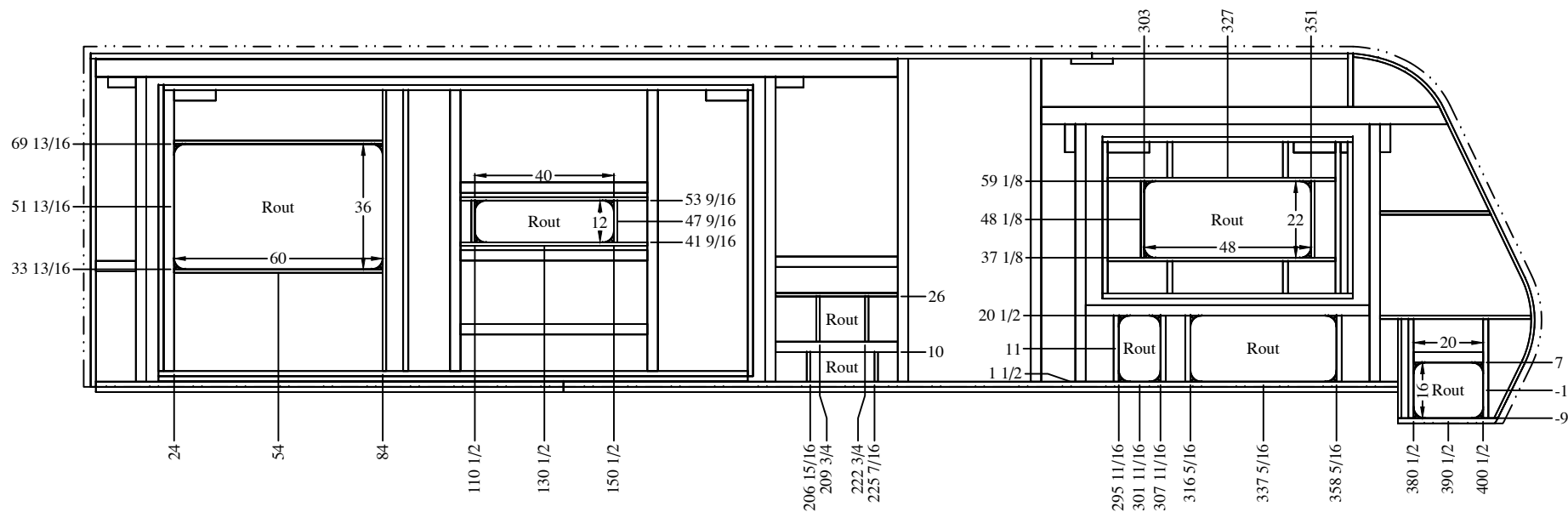
- Notes:
1. View Is From The Inside.
 2. Framing Is 2 1/2" Unless Noted.
 3. Hatched Area To Be Stuffed w/Wood

East to West RV claims exclusive rights to the information documented herein. Manufacture of material shown in part or full is prohibited without the written consent from East to West RV.	Rev	Description	Date	ECN#	Title: Sidewall, Off Door Side Aluminum Framing	Date:	07/26/23	
	A	Released For Production	07/26/23	--		Drawn By:	BCW	
	B	Revised, Furnace and Water Heater Locations, Updated EGS	08/30/23	--		Sheet:	1 of 5	
TOLERANCES: UNLESS OTHERWISE STATED DIMS ARE IN INCHES .X = ± .1 FRACTIONS = ± 1/16 .XX = ± .01 ANGLES = ± .1°	C	Revised, Updated Kitchen Slide Plug Wall Shorten 1/2"	11/01/23	501-0024	Model Usage:	Alta: 3250KXT	Drawing No.	10-00151
						File No.	10-00150	



- Notes:
1. View Is From The Inside.
 2. [Cross-hatched pattern] Indicates .0065 x 3" EGS Backing Strip
 3. [Diagonal-hatched pattern] Indicates Aluminum Tube Stuffed With Wood.
 4. Fill All Voids With 2 1/2" 1.8# Min. EPS Foam Unless Otherwise Noted.
 5. - · - · - Indicates 2" FRP Overhang Min.

East to West RV claims exclusive rights to the information documented herein. Manufacture of material shown in part or full is prohibited without the written consent from East to West RV.	Rev	Description	Date	ECN#	Title: <i>Sidewall, Off Door Side Backer Locations</i>	Date:	07/26/23	
	A	Released For Production	07/26/23	--		Drawn By:	BCW	
	B	Revised, Furnace and Water Heater Locations, Updated EGS	08/30/23	--		Sheet:	2 of 5	
	C	Revised, Updated Kitchen Slide Plug Wall Shorten 1/2"	11/01/23	501-0024	Model Usage:	Alta: 3250KXT	Drawing No.	10-00151
TOLERANCES: UNLESS OTHERWISE STATED DIMS ARE IN INCHES .X = ± .1 FRACTIONS = ± 1/16 .XX = ± .01 ANGLES = ± .1°							File No.	10-00150



Notes:

1. View Is From The Inside.
2. Indicates .0065 x 3" EGS Backing Strip
3. Indicates Aluminum Tube Stuffed With Wood.
4. Fill All Voids With 2 1/2" 1.8# Min. EPS Foam Unless Otherwise Noted.
5. — · · — Indicates 2" FRP Overhang Min.

East to West RV claims exclusive rights to the information documented herein. Manufacture of material shown in part or full is prohibited without the written consent from East to West RV.

TOLERANCES: UNLESS OTHERWISE STATED
DIMS ARE IN INCHES
.X = ± .1 FRACTIONS = ± 1/16
.XX = ± .01 ANGLES = ± .1°

Rev	Description	Date	ECN#
A	Released For Production	07/26/23	--
B	Revised, Furnace and Water Heater Locations, Updated EGS	08/30/23	--
C	Revised, Updated Kitchen Slide Plug Wall Shorten 1/2"	11/01/23	501-0024

Title: *Sidewall, Off Door Side
Routh Locations*

Model Usage: *Alta: 3250KXT*

File No. **10-00150**



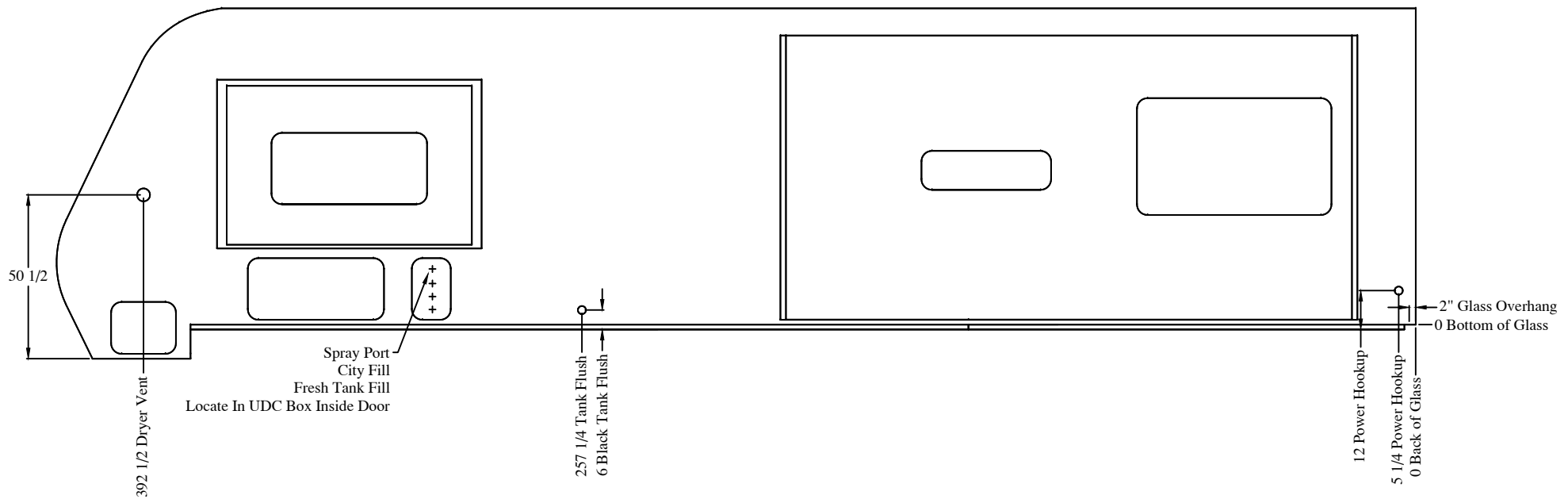
Date: *07/26/23*

Drawn By: *BCW*

Sheet: *3 of 5*

Drawing No. **10-00151**

419 5/16 Exterior Glass



East to West RV claims exclusive rights to the information documented herein. Manufacture of material shown in part or full is prohibited without the written consent from East to West RV.

Rev	Description	Date	ECN#
A	Released For Production	07/26/23	--
B	Revised, Furnace and Water Heater Locations, Updated EGS	08/30/23	--
C	Revised, Updated Kitchen Slide Plug Wall Shorten 1/2"	11/01/23	501-0024

Title: *Sidewall, Off Door Side Wire Channel Locations*

Date: 07/26/23
Drawn By: BCW

TOLERANCES: UNLESS OTHERWISE STATED
DIMS ARE IN INCHES
.X = ± .1 FRACTIONS = ± 1/16
.XX = ± .01 ANGLES = ± .1°

Model Usage: *Alta: 3250KXT*

 File No. **10-00150**

Sheet: 4 of 5
Drawing No. **10-00151**

Ref.	Qty.	Material Description	Extended	UM	Ref.	Qty.	Material Description	Extended	UM	
1	1	10-00154 Frame, Plug Wall - Bed Slide	1.00	Ea	37	1	Aluminum Tube 0.060 x 1 x 2 1/2 x 43 1/2	3.63	Cut One End 2° \	
2	1	10-00152 Frame, Plug Wall - Kitchen / Sofa Slide	1.00	Ea	38	1	Aluminum Tube 0.060 x 1 x 2 1/2 x 35 1/8	2.93		
3		10- Frame, Plug Wall -	0.00	Ea	39	1	Aluminum Tube 0.060 x 1 x 2 1/2 x 31 15/16	2.66	Cut One End 26° \	
4	1	10-00124 Frame, Front Profile Tube - XT	1.00	Ea	40	1	Aluminum Tube 0.060 x 1 x 2 1/2 x 28 1/2	2.38		
5	1	Aluminum TH Tube 0.063 x 2 1/2 x 5 x 230 5/8	19.22		41	2	Aluminum Tube 0.060 x 1 x 2 1/2 x 13	2.17		
6	1	Aluminum TH Tube 0.063 x 2 1/2 x 5 x 116 7/8	9.74		42	2	Aluminum Tube 0.060 x 1 x 2 1/2 x 8 1/2	1.42		
7	0	Aluminum TH Tube 0.063 x 2 1/2 x 5 x 0	0.00		43	0	Aluminum Tube 0.060 x 1 x 2 1/2 x 0	0.00		
			29.96	LF	44	0	Aluminum Tube 0.060 x 1 x 2 1/2 x 0	0.00		
8	2	Aluminum Tube 0.125 x 2 1/2 x 3 x 87 5/8	14.60		45	0	Aluminum Tube 0.060 x 1 x 2 1/2 x 0	0.00		
9	1	Aluminum Tube 0.125 x 2 1/2 x 3 x 81 5/8	6.80		46	0	Aluminum Tube 0.060 x 1 x 2 1/2 x 0	0.00		
10	2	Aluminum Tube 0.125 x 2 1/2 x 3 x 74	12.33		47	0	Aluminum Tube 0.060 x 1 x 2 1/2 x 0	0.00		
11	4	Aluminum Tube 0.125 x 2 1/2 x 3 x 8	2.67		48	0	Aluminum Tube 0.060 x 1 x 2 1/2 x 0	0.00		
12	0	Aluminum Tube 0.125 x 2 1/2 x 3 x 0	0.00		49	0	Aluminum Tube 0.060 x 1 x 2 1/2 x 0	0.00		
13	0	Aluminum Tube 0.125 x 2 1/2 x 3 x 0	0.00		50	0	Aluminum Tube 0.060 x 1 x 2 1/2 x 0	0.00		
14	0	Aluminum Tube 0.125 x 2 1/2 x 3 x 0	0.00			13.6	EGS Backing 0.007 x 3 x 1 1/4 x 96	0.35	Sf	
			36.41	LF		1	Décor Board 2.7mm x 48 x 106	35.33	Sf	
15	2	Aluminum Tube 0.060 x 2 1/2 x 3 x 92 7/8	15.48			1	Décor Board 2.7mm x 7 5/16 x 106	5.38	Sf	
16	2	Aluminum Tube 0.060 x 2 1/2 x 3 x 35 1/8	5.85			7	Décor Board 2.7mm x 48 x 96	224.00	Sf	
17	1	Aluminum Tube 0.060 x 2 1/2 x 3 x 20	1.67			1	Décor Board 2.7mm x 24 x 96	16.00	Sf	
18	1	Aluminum Tube 0.060 x 2 1/2 x 3 x 11 1/2	0.96			0	Accent Board 2.7mm x 48 x 102	0.00	Sf	
19	0	Aluminum Tube 0.060 x 2 1/2 x 3 x 0	0.00			0	Accent Board 2.7mm x 48 x 96	0.00	Sf	
20	0	Aluminum Tube 0.060 x 2 1/2 x 3 x 0	0.00							
21	0	Aluminum Tube 0.060 x 2 1/2 x 3 x 0	0.00			1	Azdel / Luaun 2.7mm x 48 x 108	36.00	Sf	
22	0	Aluminum Tube 0.060 x 2 1/2 x 3 x 0	0.00			1	Azdel / Luaun 2.7mm x 23 5/16 x 108	17.48	Sf	
			23.96	LF		7	Azdel / Luaun 2.7mm x 48 x 99	231.00	Sf	
						1	Azdel / Luaun 2.7mm x 12 x 99	8.25	Sf	
23	1	Aluminum P-Tube 0.055 x 2 1/2 x 3 x 240	20.00			1	FRP 108 x 419 5/16	314.48	Sf	
24	1	Aluminum P-Tube 0.055 x 2 1/2 x 3 x 134 1/2	11.21			8.65	1.8# Min. EPS Foam 2 1/2 48 x 96	276.80	Sf	
			31.21	LF						
25	0	Aluminum Tube 0.125 x 1 1/2 x 2 1/2 x 0	0.00							
26	0	Aluminum Tube 0.125 x 1 1/2 x 2 1/2 x 0	0.00				0	Radius Block (ED)	0.00	Ea
27	0	Aluminum Tube 0.125 x 1 1/2 x 2 1/2 x 0	0.00				12	Radius Block (W)	12.00	Ea
			0.00	LF			12	Radius Block (BD)	12.00	Ea
28	1	Aluminum Tube 0.060 x 1 1/2 x 2 1/2 x 288	24.00							
29	1	Aluminum Tube 0.060 x 1 1/2 x 2 1/2 x 94 3/8	7.86							
30	1	Aluminum Tube 0.060 x 1 1/2 x 2 1/2 x 73 5/8	6.14							
31	1	Aluminum Tube 0.060 x 1 1/2 x 2 1/2 x 28 3/4	2.40							
32	2	Aluminum Tube 0.060 x 1 1/2 x 2 1/2 x 28 1/2	4.75							
33	4	Aluminum Tube 0.060 x 1 1/2 x 2 1/2 x 19	6.33							
34	1	Aluminum Tube 0.060 x 1 1/2 x 2 1/2 x 15 3/8	1.28							
35	1	Aluminum Tube 0.060 x 1 1/2 x 2 1/2 x 12	1.00							
36	0	Aluminum Tube 0.060 x 1 1/2 x 2 1/2 x 0	0.00							
			53.76	LF						

East to West RV claims exclusive rights to the information documented herein. Manufacture of material shown in part or full is prohibited without the written consent from East to West RV.

TOLERANCES: UNLESS OTHERWISE STATED
DIMS ARE IN INCHES
.X = ± .1 FRACTIONS = ± 1/16
.XX = ± .01 ANGLES = ± .1°

Rev	Description	Date	ECN#
A	Released For Production	07/26/23	--
B	Revised, Furnace and Water Heater Locations, Updated EGS	08/30/23	--
C	Revised, Updated Kitchen Slide Plug Wall Shorten 1/2"	11/01/23	501-0024

Title: *Sidewall, Off Door Side Cut List*

Model Usage: *Alta: 3250KXT*

File No. **10-00150**

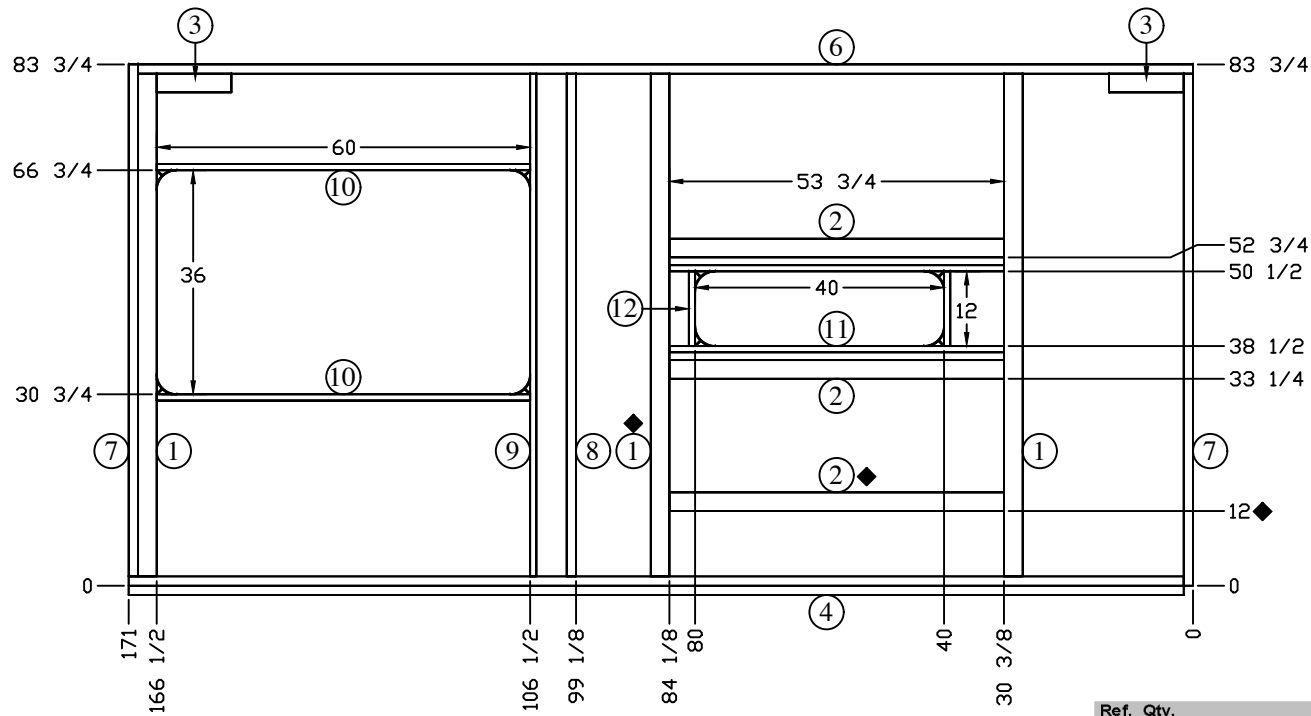


Date: *07/26/23*

Drawn By: *BCW*

Sheet: *5 of 5*

Drawing No. **10-00151**



Ref.	Qty.	Material Description	Extended	UM
1	3	Aluminum Tube 0.060 x 2 1/2 x 3 x 80 3/4	20.19	
2	3	Aluminum Tube 0.060 x 2 1/2 x 3 x 53 3/4	13.44	
3	1	Aluminum Tube 0.060 x 2 1/2 x 3 x 12	1.00	
			34.63	LF
4	1	Aluminum P-Tube 0.040 x 2 1/2 x 3 x 169 1/2	14.13	
5	0	Aluminum P-Tube 0.040 x 2 1/2 x 3 x 0	0.00	
			14.13	LF
6	1	Aluminum Tube 0.060 x 1 1/2 x 2 1/2 x 169 1/2	14.13	
7	2	Aluminum Tube 0.060 x 1 1/2 x 2 1/2 x 82 1/4	13.71	
8	1	Aluminum Tube 0.060 x 1 1/2 x 2 1/2 x 80 3/4	6.73	
			34.56	LF
9	1	Aluminum Tube 0.055 x 1 x 2 1/2 x 80 3/4	6.73	
10	2	Aluminum Tube 0.055 x 1 x 2 1/2 x 60	10.00	
11	2	Aluminum Tube 0.055 x 1 x 2 1/2 x 53 3/4	8.96	
12	2	Aluminum Tube 0.055 x 1 x 2 1/2 x 12	2.00	
			27.69	LF

*Viewed From The Interior

East to West RV claims exclusive rights to the information documented herein. Manufacture of material shown in part or full is prohibited without the written consent from East to West RV.

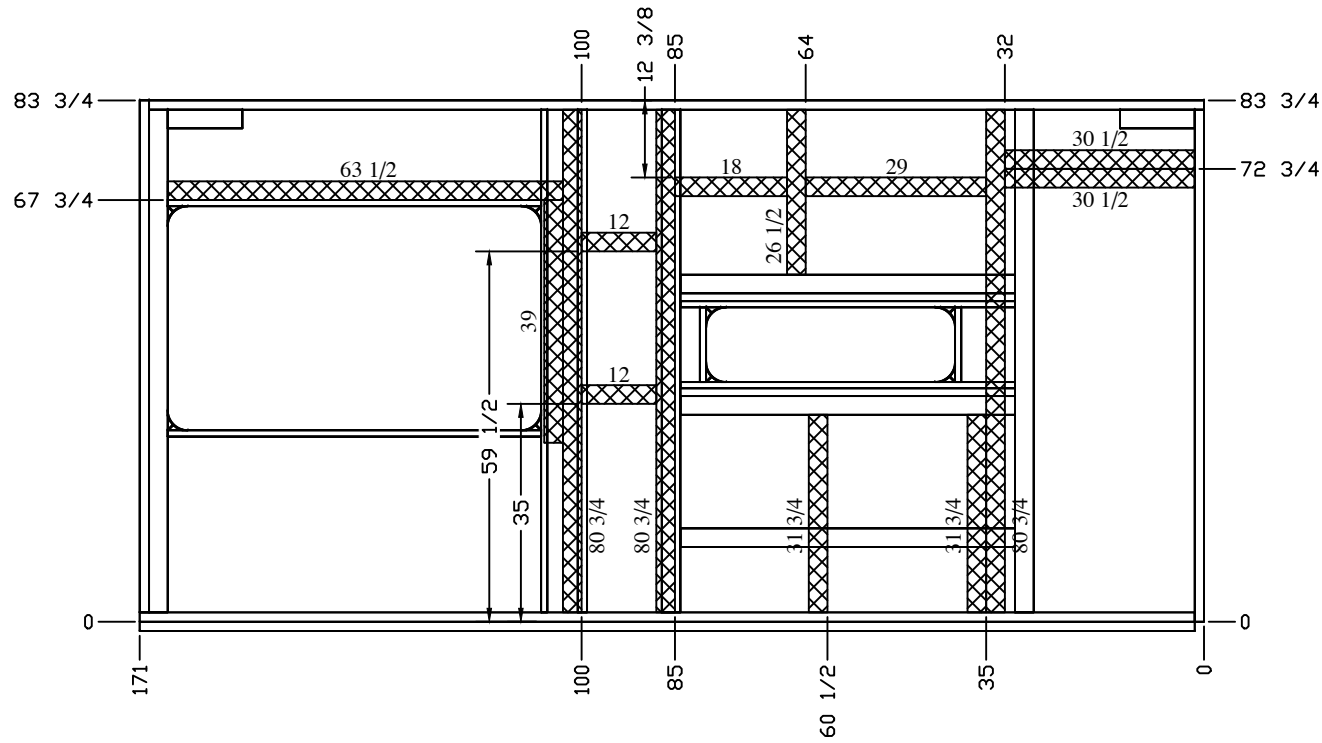
Rev	Description	Date	ECN#
A	Released For Production	07/26/23	--
B	Revised, Took 1/2" Out Of Overall Height	10/31/23	--
C	Revised, Added Wire Chase Per Productions Request	11/17/23	--

Title:	Slide Wall, Kitchen / Sofa - 171" Kitchen / Sofa - 174 1/4" Floor
Model Usage:	Alta: 3250KXT
File No.	

Date:	07/26/23
Drawn By:	BCW
Sheet:	1 of 2
Drawing No.	10-00152

TOLERANCES: UNLESS OTHERWISE STATED
DIMS ARE IN INCHES
.X = ± .1 FRACTIONS = ± 1/16
.XX = ± .01 ANGLES = ± .1°





Qty.	Material Description	Extended UM
3	EGS Backer 0.007 x 3 x 80 3/4	20.19
1	EGS Backer 0.007 x 3 x 63 1/2	5.29
1	EGS Backer 0.007 x 3 x 39	3.25
2	EGS Backer 0.007 x 3 x 31 3/4	5.29
2	EGS Backer 0.007 x 3 x 30 1/2	5.08
1	EGS Backer 0.007 x 3 x 29	2.42
1	EGS Backer 0.007 x 3 x 26 1/2	2.21
1	EGS Backer 0.007 x 3 x 18	1.50
2	EGS Backer 0.007 x 3 x 12	2.00
0	EGS Backer 0.007 x 3 x 0	0.00
0	EGS Backer 0.007 x 3 x 0	0.00
0	EGS Backer 0.007 x 3 x 0	0.00
		47.23
		LF

*Viewed From The Interior

East to West RV claims exclusive rights to the information documented herein. Manufacture of material shown in part or full is prohibited without the written consent from East to West RV.

Rev	Description	Date	ECN#
A	Released For Production	07/26/23	--
B	Revised, Took 1/2" Out Of Overall Height	10/31/23	--
C	Revised, Added Wire Chase Per Productions Request	11/17/23	--

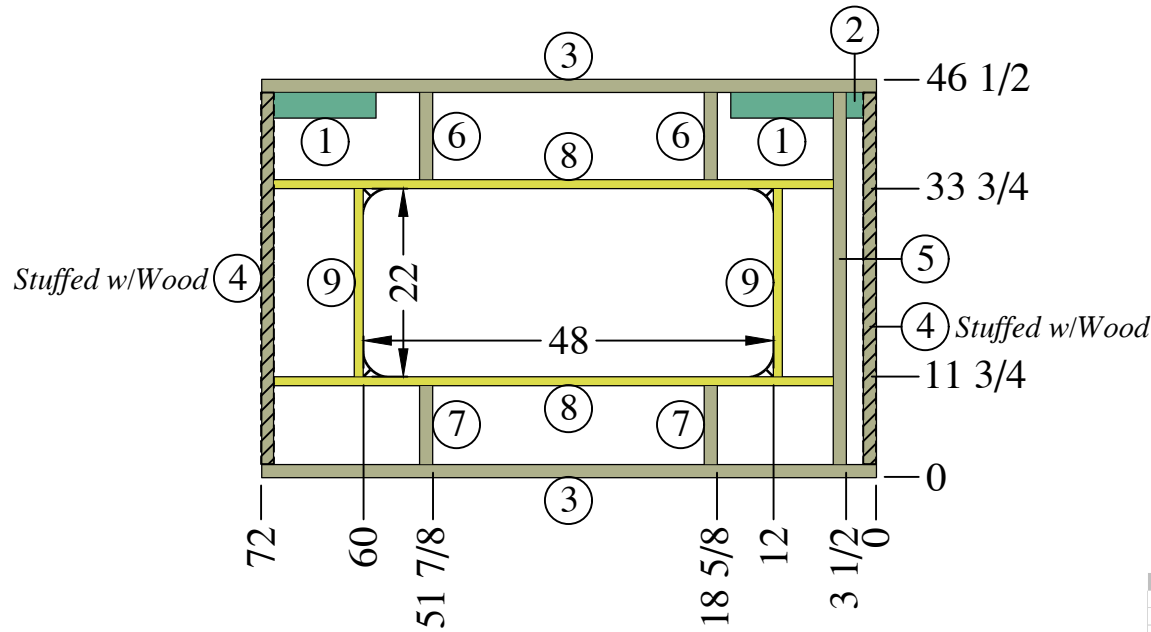
Title:		Date: 07/26/23	
Model Usage:		Drawn By: BCW	
Alta: 3250KXT		Sheet: 2 of 2	
EAST WEST		Drawing No. 10-00152	

TOLERANCES: UNLESS OTHERWISE STATED
DIMS ARE IN INCHES
.X = ± .1 FRACTIONS = ± 1/16
.XX = ± .01 ANGLES = ± .1°

Drawing No.


10-00154

Model Usage
ALT-3250KXT



Ref. Qty.	Material Description	Extended UM	Notes
1	2 Aluminum Tube 0.060 x 2 1/2 x 3 x 12	2.00	
2	1 Aluminum Tube 0.060 x 2 1/2 x 3 x 2	0.17	
		2.17	LF
3	2 Aluminum Tube 0.060 x 1 1/2 x 2 1/2 x 72	12.00	
4	2 Aluminum Tube 0.060 x 1 1/2 x 2 1/2 x 43 1/2	7.25	Stuffed w/Wood
5	1 Aluminum Tube 0.060 x 1 1/2 x 2 1/2 x 43 1/2	3.63	
6	2 Aluminum Tube 0.060 x 1 1/2 x 2 1/2 x 10 1/4	1.71	
7	2 Aluminum Tube 0.060 x 1 1/2 x 2 1/2 x 9 1/4	1.54	
		26.13	LF
8	2 Aluminum Tube 0.055 x 1 x 2 1/2 x 69	11.50	
9	2 Aluminum Tube 0.055 x 1 x 2 1/2 x 22	3.67	
10	Aluminum Tube 0.055 x 1 x 2 1/2 x	0.00	
		15.17	LF

* Viewed from the interior *

East to West RV claims exclusive rights to the information documented herein. Manufacture of material shown in part or full is prohibited without the written consent from East to West RV.	Rev	Description	Date	ECN#	Title:	Date:
	A	Released For Production	08/28/23	--	Sidewall, Bed Slide Plug Wall	07/28/23
TOLERANCES: UNLESS OTHERWISE STATED DIMS ARE IN INCHES .X = ± .1 FRACTIONS = ± 1/16 .XX = ± .01 ANGLES = ± .1°					Model Usage:	Drawn By:
					SEE USAGE	BCW
					File No.	Sheet:
						1 of 1
						Drawing No.
						10-00154