




TECHNICAL SERVICE BULLETIN

Classification: DA24-007	Reference: NTB24-043	Date: August 12, 2024
-----------------------------	-------------------------	--------------------------

SERVICE INFORMATION FOR AEB WARNING WITHOUT DTC STORED

APPLIED VEHICLES: 2024 Rogue (T33)

SERVICE INFORMATION

If the "Automatic Emergency Braking (AEB) system OFF warning light"  is either ON or flashes and no DTCs are stored,

inspect the Lower Front Facia for impact damage and/or the Front Radar bracket for a damage/bent condition.

HINT: For the warning light to activate, the vehicle may require a short drive.

- Refer to Figure 1 on page 3 for an example of a damage/bent condition.
 - Front Radar brackets that have been damaged by a collision are not covered under warranty.

HINT: The "AEB system Malfunction See Owner's Manual Warning" may or may not be displayed in the vehicle information display.

For Necessary Repair or Replacement of Affected Components

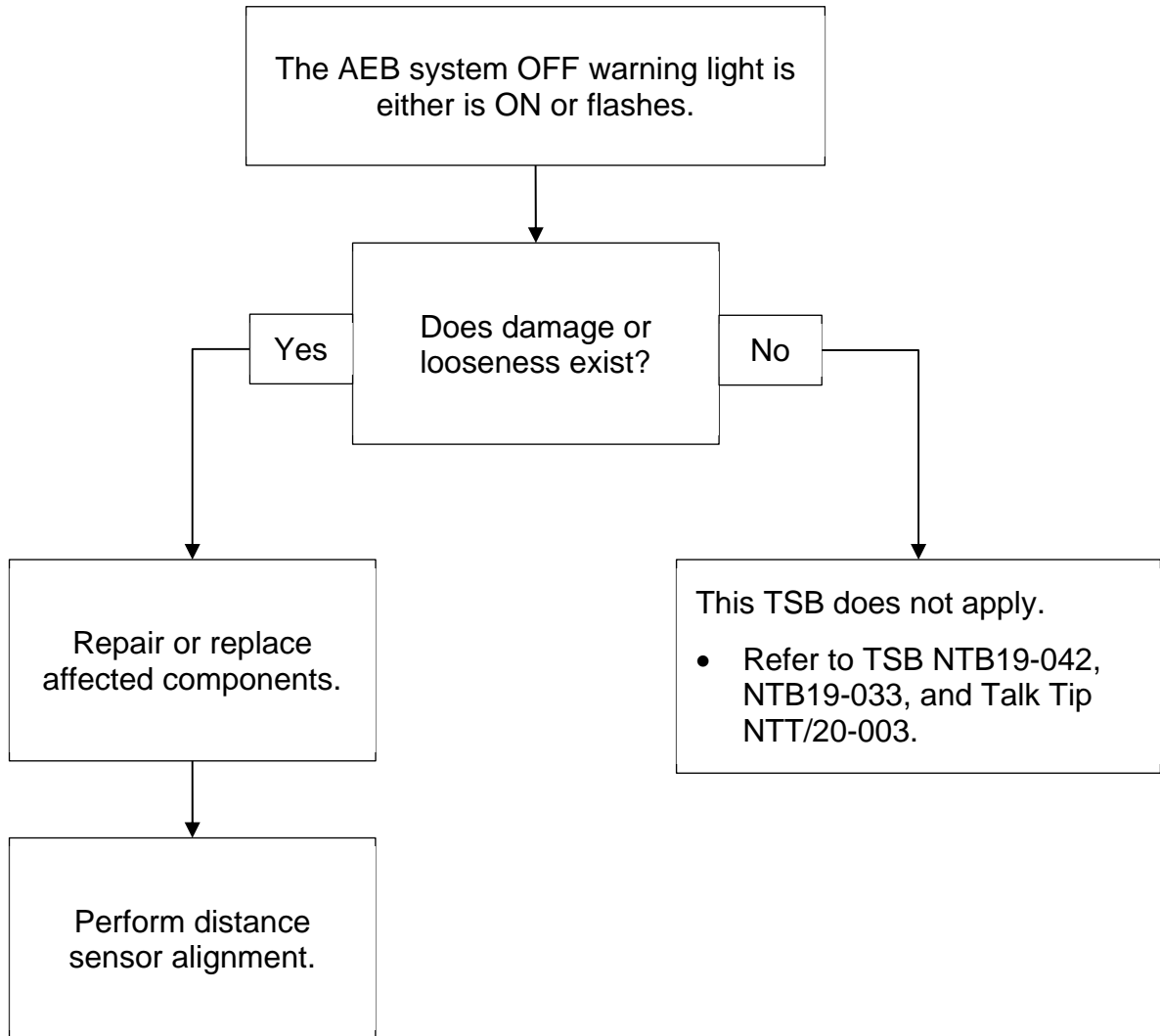
- Refer to the ESM: **CRUISE CONTROL & DRIVER ASSISTANCE - DRIVER ASSISTANCE SYSTEM - DRIVER ASSISTANCE SYSTEM - REMOVAL AND INSTALLATION - DISTANCE SENSOR**

Perform Distance Sensor Alignment

- Refer to ESM: **CRUISE CONTROL & DRIVER ASSISTANCE > DRIVER ASSISTANCE SYSTEM > DRIVER ASSISTANCE SYSTEM > BASIC INSPECTION > ADDITIONAL SERVICE WHEN REPLACING DISTANCE SENSOR**

Bulletins are intended for use by qualified technicians, not 'do-it-yourselfers'. Qualified technicians are properly trained individuals who have the equipment, tools, safety instruction, and know-how to do a job properly and safely. **NOTE:** If you believe that a described condition may apply to a particular vehicle, DO NOT assume that it does. See your Nissan dealer to determine if this applies to your vehicle.

Repair Overview



Example of OK and Unwarrantable Conditions

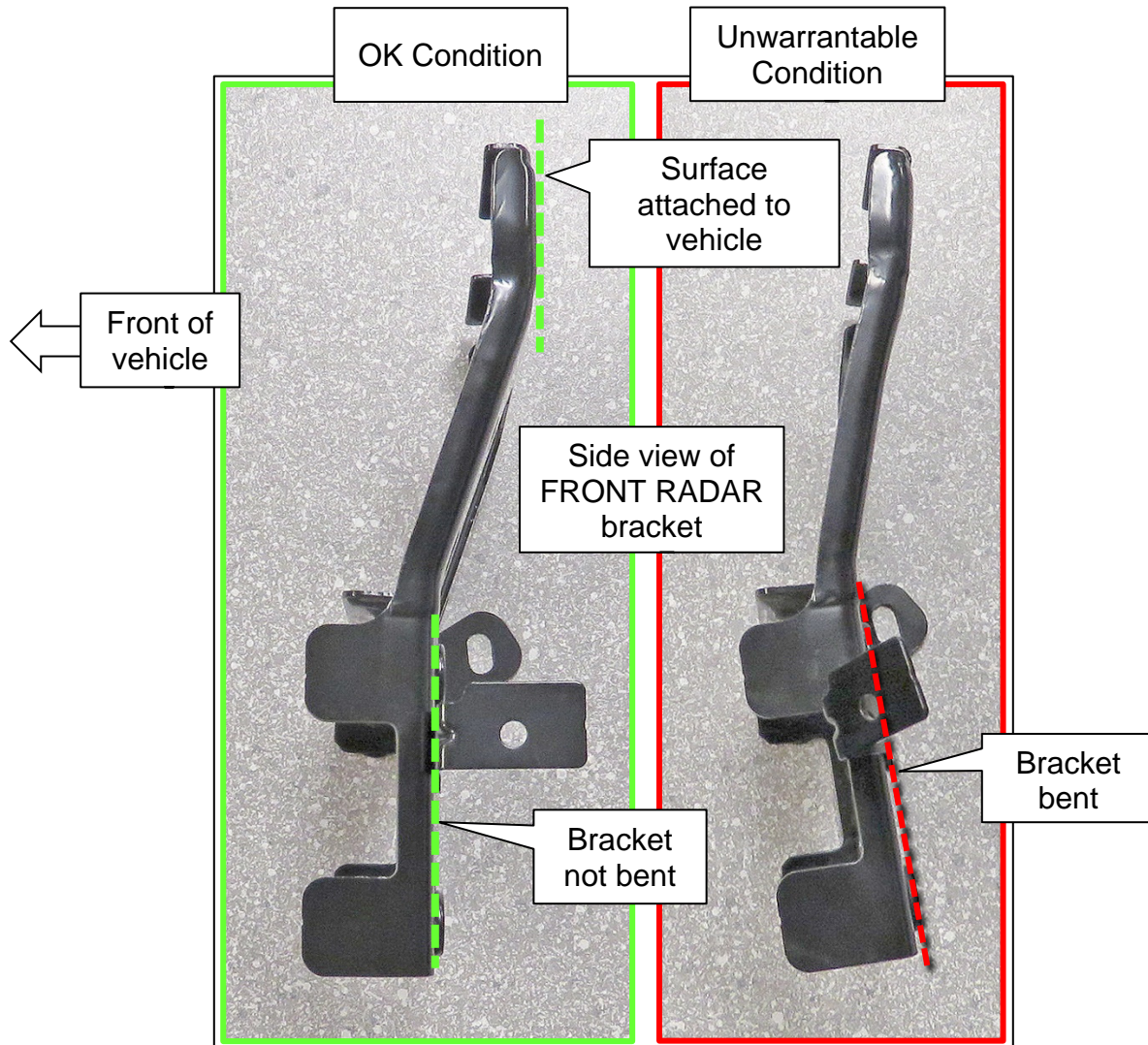


Figure 1

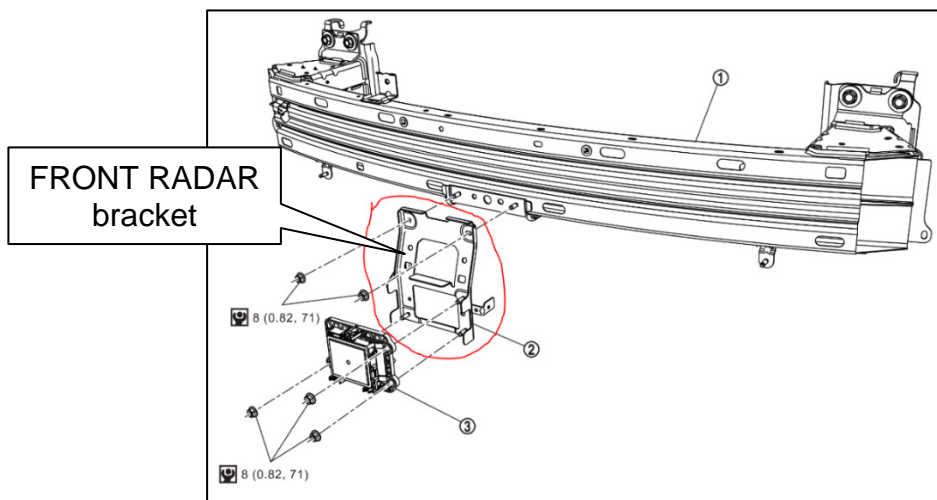


Figure 2

AMENDMENT HISTORY

PUBLISHED DATE	REFERENCE	DESCRIPTION
August 12, 2024	NTB24-043	Original bulletin published

