



# Technical Service Bulletin

## 34 Function restriction with event memory entry P071800 - P276800 (symptom 20736 - 20737)

34 24 69 2067653/8 July 3, 2024. Supersedes Technical Service Bulletin Group 34 number 24-68 dated June 3, 2024 for reasons listed below.

Model(s)	Year	VIN Range	Vehicle-Specific Equipment
A4, A4 allroad, A5, A5 Cabriolet, A5 Sportback, A6, A6 allroad, A7, Q5, and Q5 Sportback	2021 - 2024	All	Not Applicable

## Condition

REVISION HISTORY		
Revision	Date	Purpose
8	-	Revised <i>Condition</i> (Event memory entry added) Revised <i>Service</i> (Event memory entry added)
7	05/22/2024	Revised <i>Service</i> (Updated Gearbox Production Date) Revised <i>Warranty</i> (Added Battery Charge)
6	01/12/2024	Revised <i>Service</i> (Changed Gearbox Production Date)

### Customer states:

- “Gearbox Malfunction” is displayed in the instrument cluster.

**and/or**

- Vehicle has no power.

**and/or**

- Vehicle intermittently does not shift up or down.

**and/or**

- Vehicle is in limp home mode.

**and/or**

- “Reverse gear unavailable” is displayed in the instrument cluster.

**and/or**

- “You can continue driving (functions limited)” is displayed in the instrument cluster.

### Workshop findings:

- The customer complaint(s) can be reproduced.



# Technical Service Bulletin

---

The following DTC(s) are stored in the transmission control module (TCM), J217 (address word 0002):

- **DTC: P071800** “Input/Turbine Speed Sensor ‘A’ Circuit Intermittent”, passive/sporadic with Symptom Code: 20736.

**and/or**

- **DTC: P276800** “Input/Turbine Shaft Speed Sensor ‘B’ Circuit Intermittent”, passive/sporadic with Symptom Code 20737.

**and/or**

- **DTC: 278700** “Clutch Temperature too High”, passive/sporadic with Symptom Code 20882

Also possible in combination with above DTCs.

- **DTC: P081100** “Excessive Clutch Slippage”, passive/sporadic with Symptom Code 20870.

**and/or**

- **DTC: P081E00** “Clutch 2 excessive clutch slippage”, passive/sporadic with Symptom Code 20872.

## Technical Background

Not applicable.

## Production Solution

Optimized parts introduced from gearbox production date November 30, 2023, onwards.

## Service

Try to reproduce the customer complaint (based on the description and DTCs), so that it can be clearly assigned to this TSB. The following repair must only be carried out if all the criteria (model/type, chassis number, engine/motor and gearbox code, PR number(s), part number, software version, code etc.) apply exactly. Otherwise, this solution will not eliminate the problem, and repeat repairs may be necessary. In such a case, we may reject the warranty claim and charge back the cost of parts.



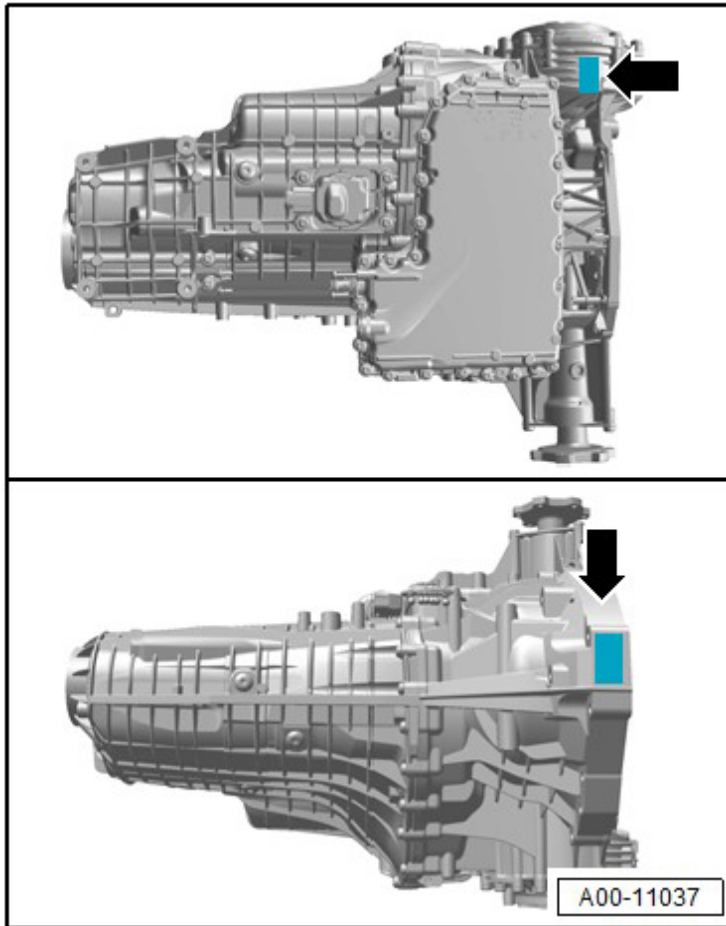
**This TSB only applies to a specific date range of the transmission. If the manufacturing date of the transmission is not within the affected range, this TSB does not apply.**

- **First determine if the Transmission was built within the date range of June 15, 2020, and November 30, 2023.**
- Check one of the transmission data stamps which are located on the bottom of the front differential and the top of the bell housing (Figure 1).



# Technical Service Bulletin

---



**Figure 1.** Locations of data stampings.

The Data Stamping contains the following information:

Production Data: 006SVHC021170K180228

Transmission Code: SVH

Serial Number: C021170K

**Production Date: 28.02.2018.** Day/Month/Year format. Example shown is February 28, 2018.

If the date is within the date range of June 15, 2020, and November 30, 2023:

- **Event memory entry P071800 logged (active/static):**
  - If the event memory entry “P071800 – Input/Turbine Speed Sensor "A" Circuit Intermittent” is stored **active/static**, the repair in this TSB does not apply to this case. Follow the ODIS test plan completely and accurately.
- **Event memory entry P071800 logged (passive/intermittent):**
  - If the event memory entry “P071800 – Input/Turbine Speed Sensor "A" Circuit Intermittent” is stored **passive/sporadic**, replace the transmission control unit J217 according to the Workshop Manual.
- **Event memory entry P276800 logged (active/static):**



# Technical Service Bulletin

- If the event memory entry “P276800 – Input/Turbine Shaft Speed Sensor “B” Circuit Intermittent” is stored **active/static**, the repair in this TSB does not apply to this case. Follow the ODIS test plan completely and accurately.
- **Event memory entry P276800 logged (passive/intermittent):**
  - If the event memory entry “P276800 – Input/Turbine Shaft Speed Sensor “B” Circuit Intermittent” is logged **passive/sporadic**, replace the transmission control unit J217 according to the Workshop Manual.
- **Event memory entry P278700 logged (passive/intermittent):**
  - If the event memory entry “P278700 – Clutch Temperature Too High” is logged as **passive/sporadic**, replace the transmission control unit J217 according to the Workshop Manual.



Use the “Replace control module” test program to do so.

Test drive to confirm the concern is repaired.

## Warranty

<b>Claim Type:</b>	<ul style="list-style-type: none"> <li>• 110 up to 48 Months/50,000 Miles.</li> <li>• G10 for CPO Covered Vehicles – Verify Owner.</li> <li>• If the vehicle is outside any warranty, this Technical Service Bulletin is informational only.</li> </ul>		
<b>Service Number:</b>	3511		
<b>Damage Code:</b>	0040		
<b>Labor Operations:</b>	Remove and install mechatronic unit	3511 19xx	See SRT with associated operations
	Remove and install control unit (some models may have predecessor labor operations which may also be claimed)	3481 1950	See SRT with associated operations
<b>Diagnostic Time:</b>	GFF	0150 0060	Time stated on diagnostic protocol
	Road test prior to service procedure	0121 0002	10 TU
	Road test after service procedure	0121 0004	10 TU



# Technical Service Bulletin

---

	Charge battery	2706 8950	See SRT with associated operations
<b>Claim Comment:</b>	As per TSB 2067653/8		

All warranty claims submitted for payment must be in accordance with the *Audi Warranty Policies and Procedures Manual*. Claims are subject to review or audit by Audi Warranty.

## Required Parts and Tools

Always check with your Parts Department and/or ETKA for the latest information and parts bulletins.		
Part Number	Part Description	Quantity
See ETKA	Fasteners, Bolts, Nuts, and Screws as needed per the Repair Manual	See ETKA/ELSA
Order to VIN	Control unit for 7 speed gearbox	01
Order to VIN	Gasket for oil pan, Plugs, tube from oil pan to transmission cooler.	See ETKA/ELSA

## Additional Information

All parts and service references provided in this TSB (**2067653**) are subject to change and/or removal.

©2024 Audi of America, Inc. All rights reserved. The information contained in this document is based on the latest information available at the time of printing and is subject to the copyright and other intellectual property rights of Audi of America, Inc., its affiliated companies, and its licensors. All rights are reserved to make changes at any time without notice. No part of this document may be reproduced, stored in a retrieval system, or transmitted in any form or by any means, electronic, mechanical, photocopying, recording, or otherwise, nor may these materials be modified or reposted to other sites without the prior expressed written permission of the publisher.