

Panamera G3 976 Launch Tools

Vehicle Type: **Panamera (976)**

Subject: **Launch Tools for the Panamera G3 976**

Information: Porsche Special Tools & Equipment has identified the need for new tooling to support the new Panamera. This package will be delivered via automatic shipment as Minimum Required Tools (MRT). Shipments from SBS and PDC will start on July 8, 2024.

This auto-ship package includes 9 tools. 6 will ship from SBS. 3 will ship from the PDC.

T10157/2
T90040 #
T90041
VAS6122/2
VAS6544A
VAS6558A/51 #
V04014079TT
V04014076TT
V04014039TT

NOTE: Some of the tools in this package (marked # or *DELAYED*) are delayed by the manufacture. They will ship out as stock becomes available. If a delayed tool is needed for a repair on a customer car open a Special Tools PRMS to request an emergency tool.

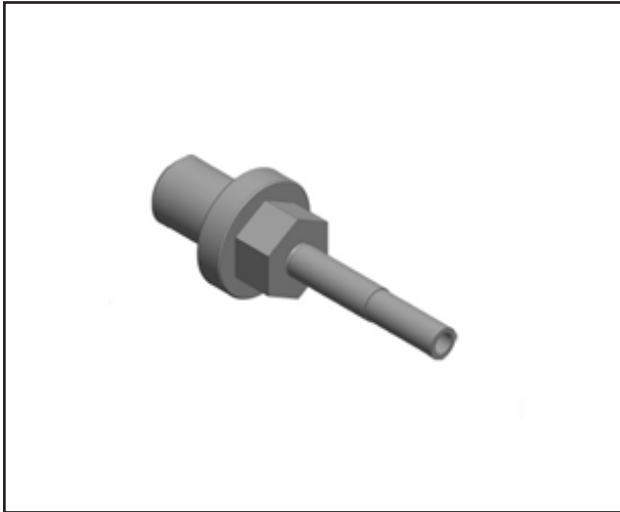
Questions regarding VAS, VAG, and T tools:

Contact SBS customer care at 1-855-895-2013 or PorscheTEP@SnapOn.com.

Polaris numbers PNA, 000.721, 918.721, and P tools:

Create a PRMS ticket. Technical Support > Special Tools

Panamera G3 976 Launch Tools



Adapter

T10157/2 | ★★ | \$16.40*

Model lines Panamera from MY 2024

Use Fill air-spring strut

Workshop Manual 433019

Order Number T10157/2

Supplier Porsche.snapon.com

Availability Immediate availability - Auto-Ship

Location Temp Storage in Second PORPAN MRT cabinet Dr 41-50

Note



Pressure Piece *DELAYED*

T90040 | ★★ | \$31.10*

Model lines Panamera from MY 2024

Use For fitting and removing chassis sub frame bearings

Workshop Manual 420855

Order Number T90040

Supplier Porsche.snapon.com

Availability Delayed - Auto-Ship when available

Location Temp Storage in Second PORPAN MRT cabinet Dr 41-50

Note 4-piece set, use with T10230/1

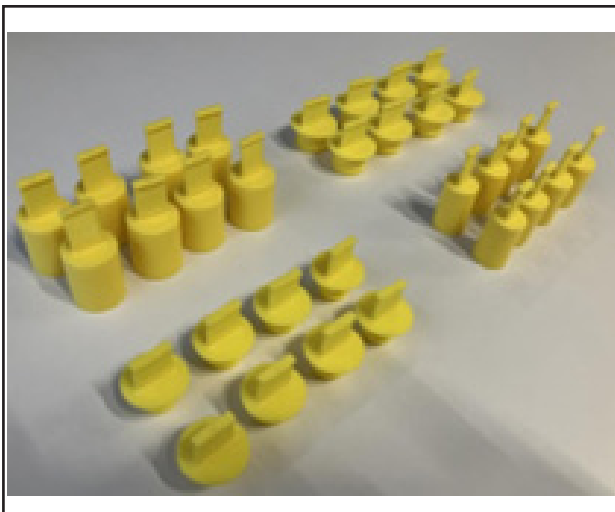
Panamera G3 976 Launch Tools



Assembly Tool

T90041 | ★★ | \$197.90*

Model lines	Panamera from MY 2024
Use	Fitting support rings for active damper control (ADR)
Workshop Manual	434019
Order Number	T90041
Supplier	Porsche.snapon.com
Availability	Immediate availability - Auto-Ship
Location	Temp Storage in Second PORPAN MRT cabinet Dr 41-50
Note	

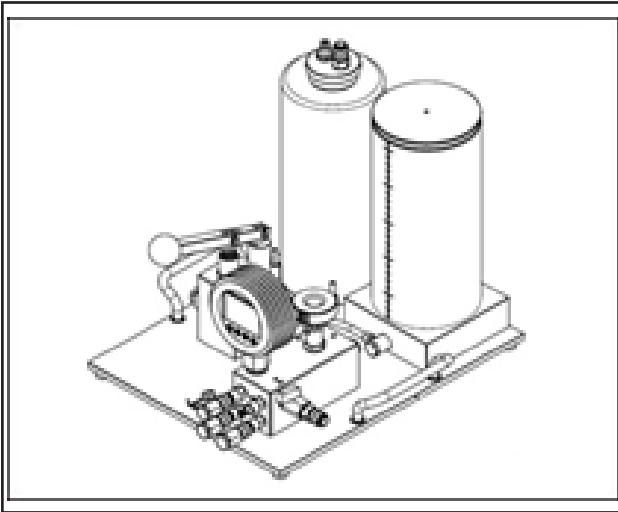


Sealing Caps

VAS6122/2 | ★★ | \$53.50*

Model lines	Panamera from MY 2024
Use	Closing connections of adaptive damper system
Workshop Manual	434019
Order Number	VAS6122/2
Supplier	Porsche.snapon.com
Availability	Immediate availability - Auto-Ship
Location	Temp Storage in Second PORPAN MRT cabinet Dr 41-50
Note	

Panamera G3 976 Launch Tools



Filling Device DRC System

VAS6544A | ★★ | \$4,622.80*

Model lines Panamera from MY 2024

Use Filling DRC/ADR system

Workshop Manual 430117

Order Number VAS6544A

Supplier Porsche.snapon.com

Availability Immediate availability - Auto-Ship

Location In-Shop

Note Store in the shipping box and foam to prevent damage



HV Test Adapter *DELAYED*

VAS6558A/51 | ★★ | \$441.20*

Model lines Panamera from MY 2024

Use Test the HV battery

Workshop Manual 2X00IN

Order Number VAS6558A/51

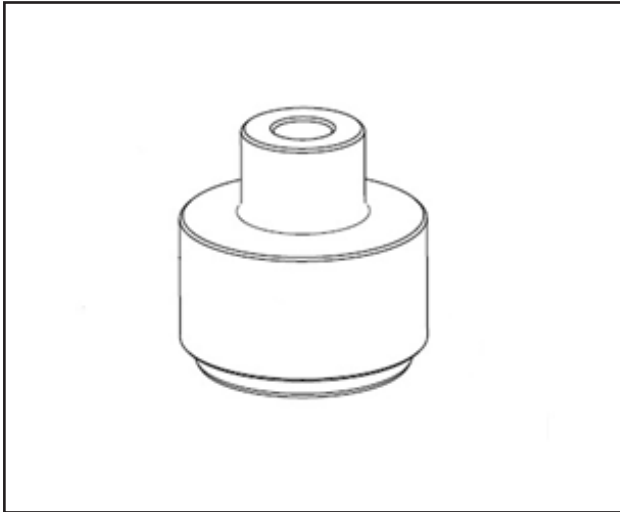
Supplier Porsche.snapon.com

Availability Delayed - Auto-Ship when available

Location Temp Storage in Second PORPAN MRT cabinet Dr 41-50

Note The high-voltage test adapter VAS 6558A/51 is required in combination with the high-voltage measuring module VAS 6558A for measuring isolation from the power supply on the high-voltage system.

Panamera G3 976 Launch Tools



Pressure Piece

P90079 | ★★ | \$50.69*

Model lines Panamera from MY 2024

Use Fit sealing ring on the electric machine

Workshop Manual 386955

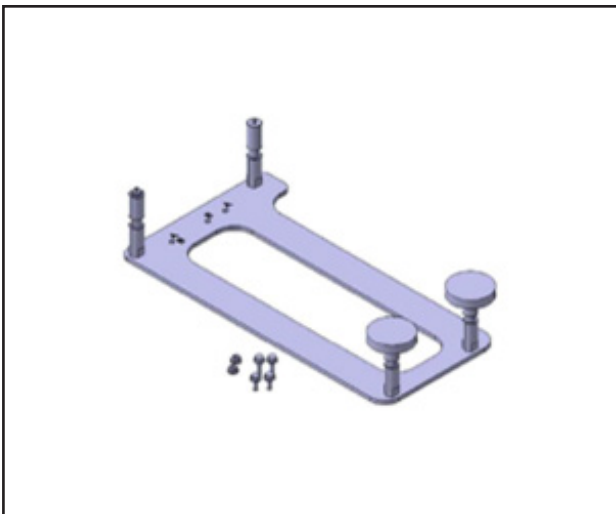
Order Number V04014079TT

Supplier Polaris (PPL)

Availability Immediate availability - Auto-Ship

Location Temp Storage in Second PORPAN MRT cabinet Dr 41-50

Note



Scissor-Action Assembly Platform Mounting

P90076 | ★★ | \$851.12*

Model lines Panamera from MY 2024

Use High-voltage battery removal

Workshop Manual 270819

Order Number V04014076TT

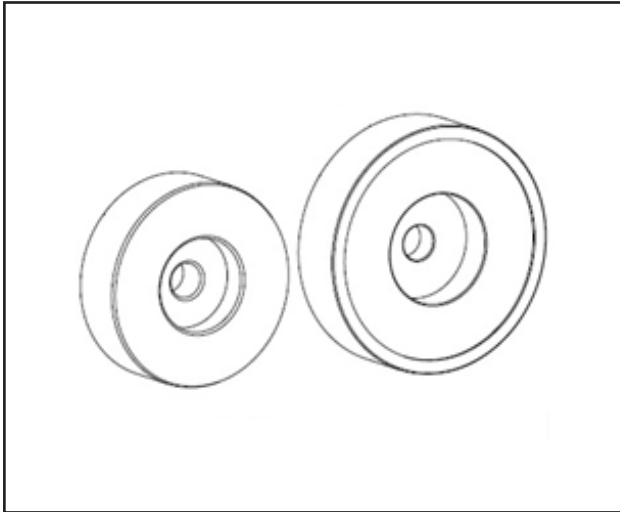
Supplier Polaris (PPL)

Availability Immediate availability - Auto-Ship

Location In-Shop

Note High-voltage battery removal in conjunction with VAS 6832 scissor-action assembly platform

Panamera G3 976 Launch Tools



Assembly Tool

P90039 | ★★ | \$ 78.30*

Model lines Panamera from MY 2024

Use Installing and removing the control arm bearing

Workshop Manual 402055

Order Number V04014039TT

Supplier Polaris (PPL)

Availability Immediate availability - Auto-Ship

Location Temp Storage in Second PORPAN MRT cabinet Dr 41-50

Note 2-piece set
Use with items VAS 6178, 9895 and T10230/53

Panamera G3 976 Launch Tools

General

Information: **Ordering Process:**

Tools identified with a prefix of VAS, VAG and "T":
Place orders via porsche.snapon.com.

Tools with a prefix of 000 721, 918 721, PNA or "P"
Place orders via POLARIS (PPL).

Diagnostic Equipment:

Open a PRMS ticket. Technical Support >> [Tester Support](#)

Special Tool Support:

For questions related to VAS, VAG, and "T" tools:

contact SBS customer care at 1-855-895-2013 or PorscheTEP@SnapOn.com.

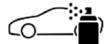

For Polaris numbers 000.721, 918.721, PNA and "P" tools:

Open a PRMS ticket. Technical Support >> [Special Tools](#)

Diagnostic Equipment:

Open a PRMS ticket. Technical Support >> [Tester Support](#)

Workshop Equipment Classification

- ★ Servicing and maintenance
- ★★ Replacement of units and assemblies
- ★★★ Disassembly of units and assemblies
- ★★★★ Rental
-  Body & Paint
-  High-voltage

***All prices shown are valid as of the day of publishing and are subject to change without notice.**