

Mack MDE 19 Amp Hour Update

Service Category Service Department

Section Function Group 310

Technician Skill Level A

Market North America

Applicability

Mack

Model Years	Models
2023-2024	MDE

Introduction

Mack trucks has developed a 19 Amp Hour update for certain MDE model trucks. This update will improve the vehicle range and overall operation.

Production Change Information

This bulletin applies to vehicles built within the specified production changes below.

Brand	Engine	Emission Level	Starting Build Date	Ending Build Date
Mack	BEV	EM-ZE	10-November-2022	12-December-2023

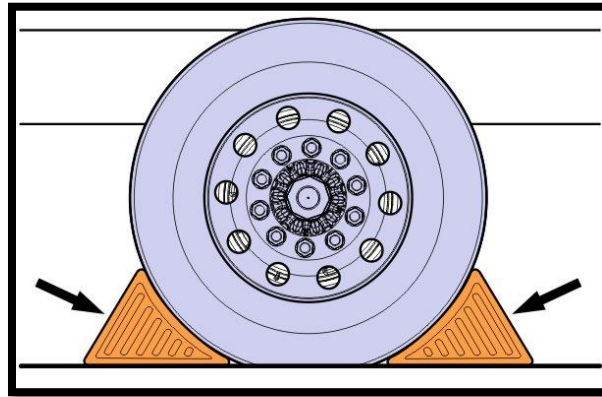
Warranty Information

This repair is covered by an authorized Service Program. Reimbursement is obtained through the normal claim handling process.		
Claim Type (used only when uploading from the Dealer Bus. Sys.)		B
Main Labor Code	Description	Hours
8743-03-02-07	Air Conditioning Compressor Replacement	1.9
1720-16-09-01	Campaign, General 0.1x3	0.3
Causal Part	24444591	
SCC Authorization Code	S4105	
Expiration Date	July 31, 2025	

Mack MDE 19 Amp Hour Update

Repair Procedure

1. Park the vehicle on a level surface.
2. Apply parking brake.
3. Place the transmission in park or neutral.
4. Turn off the ignition.
5. Install wheel chocks.



6. An on-site Sea representative will complete the follow repairs.
 - Install 19AH GVCU software.
 - Flash the on board charger with update software.
 - Install new A/C compressor.
 - Check and adjust cab pass through battery connection torque.
7. Once all work is complete the truck can be returned to service.