



Technical Service Bulletin

SUBJECT:		No: TSB-24-23-004	
SPECIAL TOOLS FOR AUTOMATIC TRANSAXLE – SERVICE MANUAL REVISION		DATE: June 2024	
		MODEL: See below	
CIRCULATE TO:	<input type="checkbox"/> GENERAL MANAGER	<input checked="" type="checkbox"/> PARTS MANAGER	<input checked="" type="checkbox"/> TECHNICIAN
<input checked="" type="checkbox"/> SERVICE ADVISOR	<input checked="" type="checkbox"/> SERVICE MANAGER	<input checked="" type="checkbox"/> WARRANTY PROCESSOR	<input type="checkbox"/> SALES MANAGER

PURPOSE

This TSB provides corrections to the description of special tools used to install the oil seal within the Automatic Transaxle sections of the applicable Service Manuals.

AFFECTED VEHICLES

2012-2017 Lancer
2007-2012 and 2014-2020 Outlander
2011-2024 Outlander Sport
2018-2024 Eclipse Cross

AFFECTED SERVICE MANUAL

2012-2017 Lancer Service Manual
2007-2012 and 2014-2020 Outlander Service Manual
2011-2024 Outlander Sport Service Manual
2018-2024 Eclipse Cross Service Manual

PROCEDURE

Please use the charts below (attached sheet 1 (1/3)) to replace the pages in the affected Service Manual, Automatic Transaxle sections.



Copyright 2024, Mitsubishi Motors North America, Inc.

The information contained in this bulletin is subject to change. For the latest version of this document, go to the Mitsubishi Dealer Link, MEDIC, or the Mitsubishi Service Information website(www.mitsubishitechinfo.com).

LANCER / LANCER SPORTBACK

Applicable Manual	Pub. No.	Applicable Title	Content
2012 LANCER/LANCER SPORTBACK Service Manual	MSCD-106B-2012	AUTOMATIC TRANSAXLE └ CONTINUOUSLY VARIABLE TRANSAXLE OVERHAUL └ SPECIAL TOOLS	Attached sheet 12
2013 LANCER/LANCER SPORTBACK Service Manual	MSCD-106B-2013	AUTOMATIC TRANSAXLE └ CONTINUOUSLY VARIABLE TRANSAXLE OVERHAUL └ TRANSFER	Attached sheet 13
2014 LANCER/LANCER SPORTBACK Service Manual	MSCD-106B-2014	└ DISASSEMBLY AND ASSEMBLY	
2015 LANCER/LANCER SPORTBACK Service Manual	MSCD-106B-2015		
2016 LANCER/LANCER SPORTBACK Service Manual	MSCD-106B-2016		
2017 LANCER/LANCER SPORTBACK Service Manual	MSCD-106B-2017	AUTOMATIC TRANSAXLE (TRANSMISSION) └ CONTINUOUSLY VARIABLE TRANSAXLE OVERHAUL └ SPECIAL TOOLS	Attached sheet 12
		AUTOMATIC TRANSAXLE (TRANSMISSION) └ CONTINUOUSLY VARIABLE TRANSAXLE OVERHAUL └ TRANSFER └ DISASSEMBLY AND REASSEMBLY	Attached sheet 13

OUTLANDER

Applicable Manual	Pub. No.	Applicable Title	Contents
2007 OUTLANDER Service Manual	MSCD-007B-2007	AUTOMATIC TRANSAXLE └ AUTOMATIC TRANSAXLE OVERHAUL └ SPECIAL TOOLS	Attached sheet 14
		AUTOMATIC TRANSAXLE └ AUTOMATIC TRANSAXLE OVERHAUL └ TRANSFER └ DISASSEMBLY AND REASSEMBLY	Attached sheet 13
2008 OUTLANDER Service Manual	MSCD-007B-2008	AUTOMATIC TRANSAXLE (TRANSMISSION) └ CONTINUOUSLY VARIABLE TRANSAXLE OVERHAUL └ SPECIAL TOOLS	Attached sheet 12
2009 OUTLANDER Service Manual	MSCD-007B-2009	AUTOMATIC TRANSAXLE (TRANSMISSION) └ CONTINUOUSLY VARIABLE TRANSAXLE OVERHAUL └ TRANSFER	Attached sheet 13
2010 OUTLANDER Service Manual	MSCD-007B-2010	└ DISASSEMBLY AND ASSEMBLY	
		AUTOMATIC TRANSAXLE (TRANSMISSION) └ AUTOMATIC TRANSAXLE OVERHAUL └ SPECIAL TOOLS	Attached sheet 12
2011 OUTLANDER Service Manual	MSCD-007B-2011	AUTOMATIC TRANSAXLE (TRANSMISSION) └ AUTOMATIC TRANSAXLE OVERHAUL └ TRANSFER	Attached sheet 13
2012 OUTLANDER Service Manual	MSCD-007B-2012	└ DISASSEMBLY AND ASSEMBLY	

OUTLANDER

Attached sheet 1 (2/3)

Applicable Manual	Pub. No.	Applicable Title	Contents
2014 OUTLANDER Service Manual	MSCD-007B-2014	AUTOMATIC TRANSAXLE (TRANSMISSION) └ CONTINUOUSLY VARIABLE TRANSAXLE OVERHAUL └ SPECIAL TOOL(S)	Attached sheet 12
2015 OUTLANDER Service Manual	MSCD-007B-2015	AUTOMATIC TRANSAXLE (TRANSMISSION) └ CONTINUOUSLY VARIABLE TRANSAXLE OVERHAUL └ TRANSFER <AWD> └ DISASSEMBLY AND REASSEMBLY	Attached sheet 13
2016 OUTLANDER Service Manual	MSCD-007B-2016	AUTOMATIC TRANSAXLE (TRANSMISSION) └ AUTOMATIC TRANSAXLE OVERHAUL └ SPECIAL TOOLS	Attached sheet 12
2017 OUTLANDER Service Manual	MSCD-007B-2017	AUTOMATIC TRANSAXLE (TRANSMISSION) └ AUTOMATIC TRANSAXLE OVERHAUL └ TRANSFER └ DISASSEMBLY AND ASSEMBLY	Attached sheet 13
2017 OUTLANDER Service Manual	MSCD-007B-2017	AUTOMATIC TRANSAXLE └ CONTINUOUSLY VARIABLE TRANSAXLE OVERHAUL └ SPECIAL TOOLS	Attached sheet 12
2018 OUTLANDER Service Manual	MSCD-007B-2018	AUTOMATIC TRANSAXLE └ CONTINUOUSLY VARIABLE TRANSAXLE OVERHAUL └ TRANSFER └ DISASSEMBLY AND REASSEMBLY	Attached sheet 13
2019 OUTLANDER Service Manual	MSCD-007B-2019	AUTOMATIC TRANSAXLE └ AUTOMATIC TRANSAXLE OVERHAUL └ SPECIAL TOOLS	Attached sheet 12
2020 OUTLANDER Service Manual	MSCD-007B-2020	AUTOMATIC TRANSAXLE └ AUTOMATIC TRANSAXLE OVERHAUL └ TRANSFER └ DISASSEMBLY AND ASSEMBLY	Attached sheet 13

OUTLANDER SPORT

Applicable Manual	Pub. No.	Applicable Title	Content
2011 OUTLANDER SPORT Service Manual	MSCD-017B-2011	AUTOMATIC TRANSAXLE └ CONTINUOUSLY VARIABLE TRANSAXLE OVERHAUL └ SPECIAL TOOL(S)	Attached sheet 12
		AUTOMATIC TRANSAXLE └ CONTINUOUSLY VARIABLE TRANSAXLE OVERHAUL └ TRANSFER └ DISASSEMBLY AND ASSEMBLY	Attached sheet 13
2012 OUTLANDER SPORT Service Manual	MSCD-017B-2012	AUTOMATIC TRANSAXLE (TRANSMISSION) └ CONTINUOUSLY VARIABLE TRANSAXLE OVERHAUL └ SPECIAL TOOL(S)	Attached sheet 12
2013 OUTLANDER SPORT Service Manual	MSCD-017B-2013	AUTOMATIC TRANSAXLE (TRANSMISSION) └ CONTINUOUSLY VARIABLE TRANSAXLE OVERHAUL └ TRANSFER └ DISASSEMBLY AND ASSEMBLY	Attached sheet 13
2014 OUTLANDER SPORT Service Manual	MSCD-017B-2014	AUTOMATIC TRANSAXLE └ CONTINUOUSLY VARIABLE TRANSAXLE OVERHAUL └ SPECIAL TOOLS	Attached sheet 12
		AUTOMATIC TRANSAXLE └ CONTINUOUSLY VARIABLE TRANSAXLE OVERHAUL └ TRANSFER └ DISASSEMBLY AND ASSEMBLY	Attached sheet 13

OUTLANDER SPORT


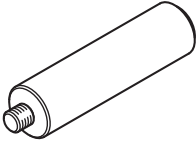
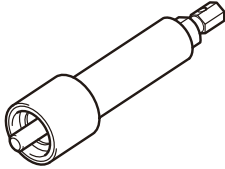
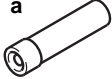
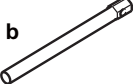




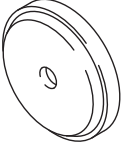
Applicable Manual	Pub. No.	Applicable Title	Content
2015 OUTLANDER SPORT Service Manual	MSCD-017B-2015	AUTOMATIC TRANSAXLE (TRANSMISSION) └ CONTINUOUSLY VARIABLE TRANSAXLE OVERHAUL <F1CJC/W1CJC> └ SPECIAL TOOLS	Attached sheet 12
		AUTOMATIC TRANSAXLE (TRANSMISSION) └ CONTINUOUSLY VARIABLE TRANSAXLE OVERHAUL <F1CJC/W1CJC> └ TRANSFER └ DISASSEMBLY AND REASSEMBLY	Attached sheet 13
2016 OUTLANDER SPORT Service Manual	MSCD-017B-2016	AUTOMATIC TRANSAXLE (TRANSMISSION) └ CONTINUOUSLY VARIABLE TRANSAXLE OVERHAUL <F1CJA/W1CJA> └ SPECIAL TOOLS	Attached sheet 12
		AUTOMATIC TRANSAXLE (TRANSMISSION) └ CONTINUOUSLY VARIABLE TRANSAXLE OVERHAUL <F1CJA/W1CJA> └ TRANSFER <AWD> └ DISASSEMBLY AND ASSEMBLY	Attached sheet 13
2017 OUTLANDER SPORT Service Manual	MSCD-017B-2017	AUTOMATIC TRANSAXLE (TRANSMISSION) └ CONTINUOUSLY VARIABLE TRANSAXLE OVERHAUL <F1CJC/W1CJC> └ SPECIAL TOOLS	Attached sheet 12
		AUTOMATIC TRANSAXLE (TRANSMISSION) └ CONTINUOUSLY VARIABLE TRANSAXLE OVERHAUL <F1CJC/W1CJC> └ TRANSFER └ DISASSEMBLY AND REASSEMBLY	Attached sheet 13
		AUTOMATIC TRANSAXLE (TRANSMISSION) └ CONTINUOUSLY VARIABLE TRANSAXLE OVERHAUL <F1CJA/W1CJA> └ SPECIAL TOOL(S)	Attached sheet 12
		AUTOMATIC TRANSAXLE (TRANSMISSION) └ CONTINUOUSLY VARIABLE TRANSAXLE OVERHAUL <F1CJA/W1CJA> └ TRANSFER <AWD> └ DISASSEMBLY AND ASSEMBLY	Attached sheet 13
2018 OUTLANDER SPORT Service Manual	MSCD-017B-2018	AUTOMATIC TRANSAXLE └ CONTINUOUSLY VARIABLE TRANSAXLE OVERHAUL └ SPECIAL TOOLS	Attached sheet 12
2019 OUTLANDER SPORT Service Manual	MSCD-017B-2019	AUTOMATIC TRANSAXLE └ CONTINUOUSLY VARIABLE TRANSAXLE OVERHAUL └ TRANSFER	Attached sheet 13
2020 OUTLANDER SPORT Service Manual	MSCD-017B-2020	└ DISASSEMBLY AND REASSEMBLY	
2021 OUTLANDER SPORT Service Manual	MSCD-017B-2021	AUTOMATIC TRANSAXLE (TRANSMISSION) └ CONTINUOUSLY VARIABLE TRANSAXLE OVERHAUL └ SPECIAL TOOLS	Attached sheet 12
2022 OUTLANDER SPORT Service Manual	MSCD-017B-2022	AUTOMATIC TRANSAXLE (TRANSMISSION) └ CONTINUOUSLY VARIABLE TRANSAXLE OVERHAUL └ TRANSFER	Attached sheet 13
2023 OUTLANDER SPORT Service Manual	MSCD-017B-2023	└ DISASSEMBLY AND REASSEMBLY	
2024 OUTLANDER SPORT Service Manual	MSCD-017B-2024		

ECLIPSE CROSS

Applicable Manual	Pub. No.	Applicable Title	Content
2018 ECLIPSE CROSS Service Manual	MSCD-020B-2018	AUTOMATIC TRANSAXLE └ CONTINUOUSLY VARIABLE TRANSAXLE OVERHAUL └ SPECIAL TOOLS	Attached sheet 15
2019 ECLIPSE CROSS Service Manual	MSCD-020B-2019	AUTOMATIC TRANSAXLE └ CONTINUOUSLY VARIABLE TRANSAXLE OVERHAUL	Attached sheet 16
2020 ECLIPSE CROSS Service Manual	MSCD-020B-2020	└ TRANSFER └ DISASSEMBLY AND ASSEMBLY	
2021 ECLIPSE CROSS Service Manual	MSCD-020B-2021		
2022 ECLIPSE CROSS Service Manual	MSCD-020B-2022		
2023 ECLIPSE CROSS Service Manual	MSCD-020B-2023		
2024 ECLIPSE CROSS Service Manual	MSCD-020B-2024		

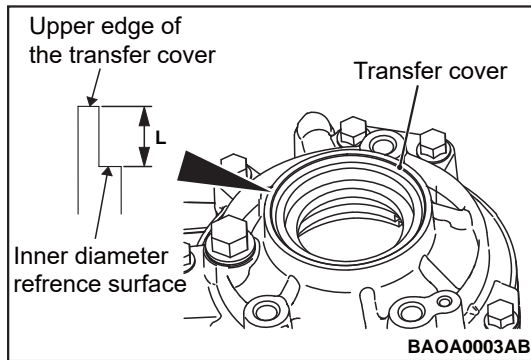
**CONTINUOUSLY VARIABLE TRANSMISSION OVERHAUL
SPECIAL TOOLS**

Transfer

Tool	Tool number	Name	Use <Changed>
	MB992142	Oil seal installer	Installation of oil seal < In case that the height from the upper edge to the inner diameter reference surface of the transfer cover is 3.5 mm>
	MB992075	Handle	
<Added>  <p data-bbox="134 1003 272 1032"><Component></p>      	MD998192	Counter shaft bearing puller a. Body puller b. Bolt c. Hook A d. Holder A e. Hook B f. Holder B	Installation of oil seal < In case that the height from the upper edge to the inner diameter reference surface of the transfer cover is 10.5 mm> NOTE: Use only the component of the MD998192, "f. Holder B (outer diameter: large)".
	MB990936	Oil seal installer	Installation of oil seal

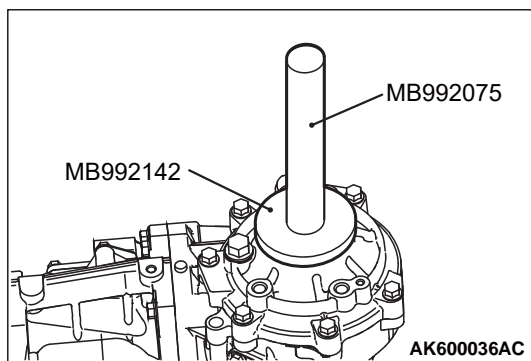
CONTINUOUSLY VARIABLE TRANSMISSION OVERHAUL DISASSEMBLY AND REASSEMBLY

>>B, C or D<< OIL SEAL INSTALLATION



1. Measure the height (L) from the upper edge to the inner diameter reference surface of the transfer cover with a caliper.
2. Follow the steps below to install the oil seal.

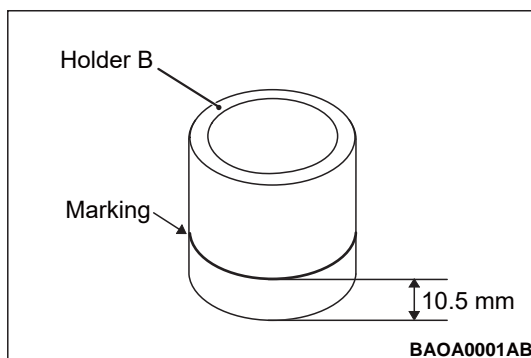
<L: In case of 3.5 mm>



1. Using the special tools to install the oil seal.
 - Oil seal installer (MB992142)
 - Handle (MB992075)
2. Apply specified grease to the oil seal lip area.

Specified grease: Retinax A

<L: In case of 10.5 mm>



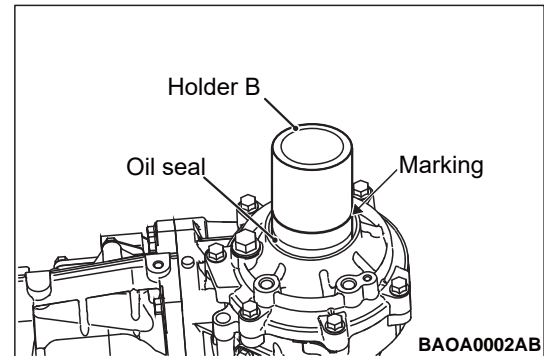
1. In order to use as a guide for the amount of fitting, mark the position at 10.5 mm from the lower edge of the special tool Holder B (component part of MD998192, outer diameter: large).

2. Apply grease to the lip of the oil seal and fit it into the special tool Holder B.

Specified grease: Retinax A

⚠ CAUTION

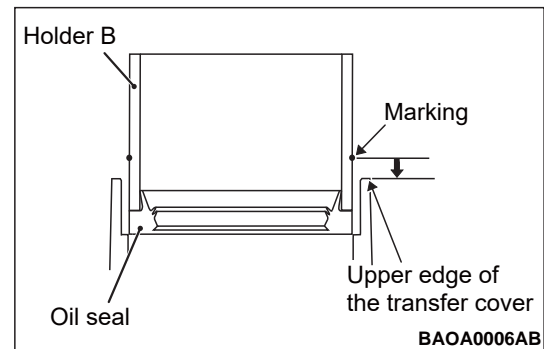
The special tool should be set perpendicular to the inner diameter reference surface.



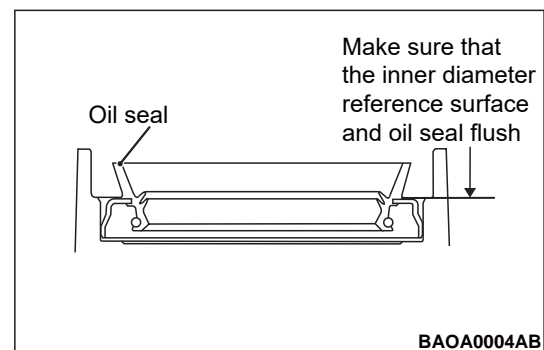
3. Set the oil seal fitted into the special tool Holder B to the mounting part of the transfer.

⚠ CAUTION

- Hammer the special tool evenly so that it does not tilt.
- While visually inspecting the marking, carefully hammer the special tool so that it does not exceed the marking.



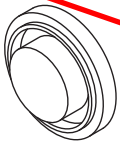
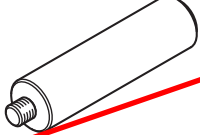
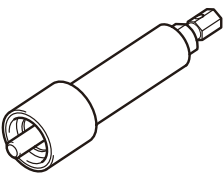
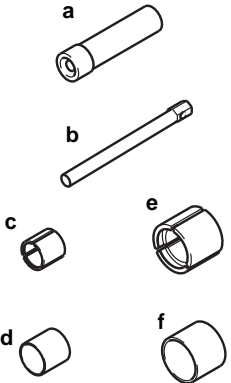

4. Hammer the special tool Holder B until the marking is on the upper edge of the transfer cover.



5. After installation, make sure that the inner diameter reference surface and oil seal is flush.

<Changed>

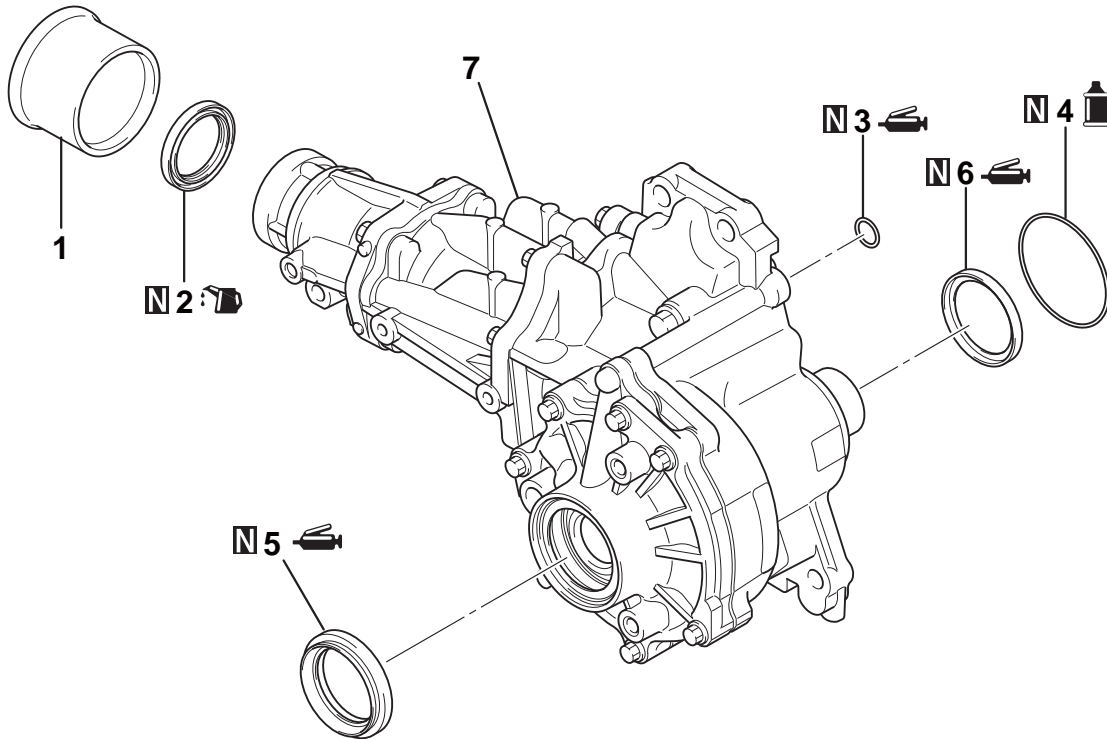
**CONTINUOUSLY VARIABLE TRANSAXLE OVERHAUL
SPECIAL TOOLS**

Tool	Tool number and name	Supersession	Use <Deleted>
	MB992142 Oil seal installer	-	Installation of oil seal
	MB992075 Handle	-	Use with oil seal installer
<p data-bbox="7 728 103 772" style="color: red;"><Added></p>  <p data-bbox="135 974 279 1008" style="color: gray;"><Component></p> 	MD998192 Counter shaft bearing puller a. Body puller b. Bolt c. Hook A d. Holder A e. Hook B f. Holder B	-	Installation of transfer oil seal NOTE: Use only the component of the MD998192, "f. Holder B (outer diameter: large)".
	MB990936 Oil seal installer	-	Installation of oil seal

**CONTINUOUSLY VARIABLE TRANSAXLE OVERHAUL
DISASSEMBLY AND REASSEMBLY**

DISASSEMBLY AND REASSEMBLY

M12330067A0018



AKC00033AB

- Disassembly steps**
- >>C<<
1. Dust seal guard
 2. Oil seal
 3. O-ring
 4. O-ring

- Disassembly steps**
- >>B<<
- >>A<<
5. Oil seal
 6. Oil seal
 7. Transfer

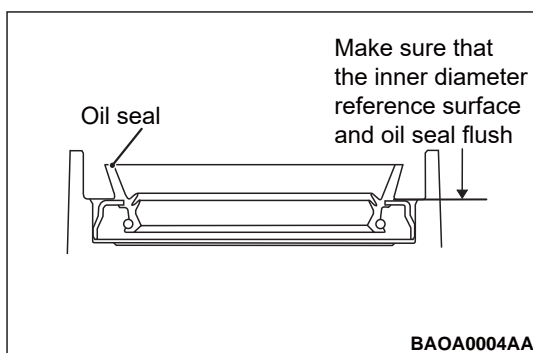
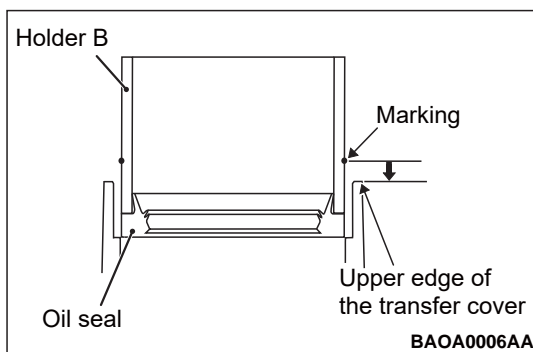
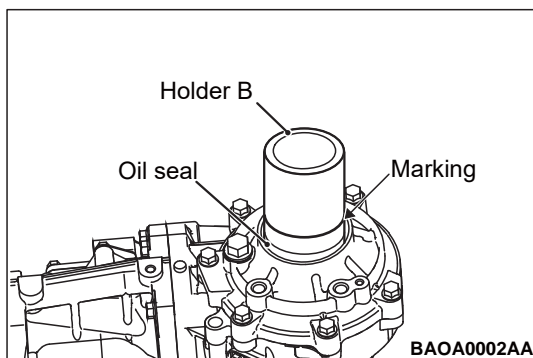
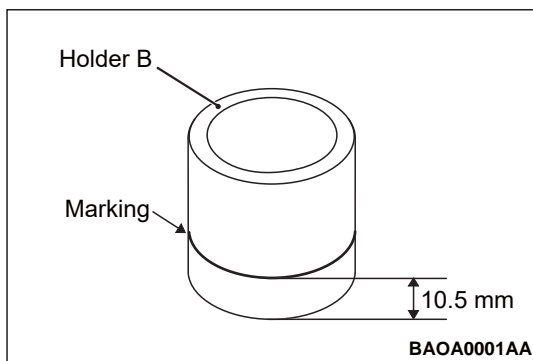
Required special tools:

- MB990936: Installer adapter <Deleted>
- MD998192: Counter shaft bearing puller <Added>
- MB992154: Oil seal installer
- MD998812: Installer cap

CONTINUOUSLY VARIABLE TRANSAXLE OVERHAUL DISASSEMBLY AND REASSEMBLY

<Changed>

>>B<< OIL SEAL INSTALLATION



1. In order to use as a guide for the amount of fitting, mark the position at 10.5 mm from the lower edge of the special tool Holder B (component part of MD998192, outer diameter: large).
2. Apply grease to the lip of the oil seal and fit it into the special tool Holder B.

Specified grease: Retinax A

⚠ CAUTION

The special tool should be set perpendicular to the inner diameter reference surface.

3. Set the oil seal fitted into the special tool Holder B to the mounting part of the transfer.

⚠ CAUTION

- Hammer the special tool evenly so that it does not tilt.
- While visually inspecting the marking, carefully hammer the special tool so that it does not exceed the marking.

4. Hammer the special tool Holder B until the marking is on the upper edge of the transfer cover.

5. After installation, make sure that the inner diameter reference surface and oil seal is flush.