



MAZDA DEALER EMAIL

June 11, 2024

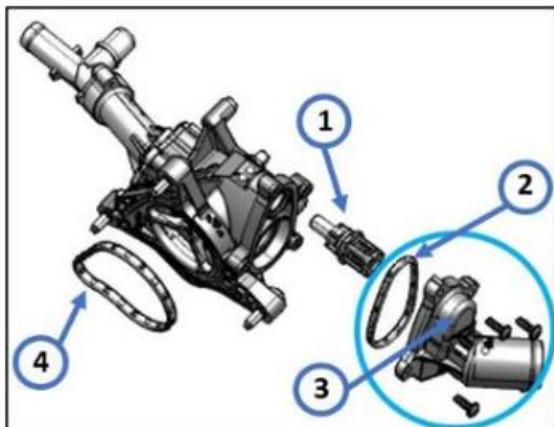
Dear Dealer Partners,

6/11 UPDATE- Due to a system error, TSB 01-005/24 was not properly uploaded and visible yesterday 6/10. The error has been corrected and it is now available to view. Our apologies for the delay

A new repair procedure has been developed to address DTC P0126:00 on SKYACTIV-G 2.0/2.5L engines. Mazda has introduced a replacement kit of the thermostat located within the Coolant Control Valve (CCV). It is no longer necessary to replace the CCV for this DTC.

This new repair is outlined in TSB 01-005/24, which will replace the current TSB 01-005/23.

Sales orders for the new kits are available through the LPO screen on eMDCS.



1. Thermostat
2. Thermostat cover gasket
3. Thermostat cover
4. Water outlet gasket

Jason Fenton
Director, Technical Services Division