

**PORSCHE Front and Rear Cameras**

Restrictions: **ONLY** approved for vehicles with "Porsche dashcam pre-fitting (QK3)".

Model Year: **As of 2024**

Cause: **Retrofitting**



**Information**



*Figure 1*

Note: The Porsche front camera (dashcam) is attached to the windscreen to the **LEFT** of the interior mirror (viewed in direction of travel ⇒ *Figure 1*).

The rear camera is installed at a specified position on the inside of the top right of the rear window (viewed in direction of travel).

Both cameras are connected to the vehicle electrical system.

They are ideal for making video recordings of driving situations and while parking. They can be configured and operated using a related app on your smartphone.

Recorded videos are stored on the supplied SD card and previous recordings are overwritten.

If the dashcam detects a shake/vibration or if the radar sensor is triggered, the recorded video is stored separately and not overwritten. Recordings can be downloaded directly from the SD card or via the app.



### Information

Important information for customers/customer service advisors:

- Ask customers to download and install the "Porsche Dashcam App" from the App Store (Apple or Google Play) on their device (smartphone/tablet) in advance.

For vehicle handover:

- Recommendation: If the vehicle is present, connect the Porsche front and rear camera WiFi to the vehicle WiFi (see also vehicle operating instructions ⇒ Porsche Connect).
- Together with the customer, check whether a firmware update via "Porsche Dashcam App" is necessary. Perform the firmware update together if necessary.
- Together with the customer, choose the "Region/State/Country" by selecting the relevant flag and format the SD card.

Further information for customers:

- The customer is responsible for choosing the right "Region/State/Country"!
- After crossing a national border: Update the "Region/State/Country" (see also conditions of use for this topic)!

Parts Info: **9Y0.044.951** ⇒ PORSCHE front and rear cameras, set

Always order at the same time:

**9Y0.044.955.A** 1x ⇒ Front camera retainer plate with wire harness, – 360 mm, assembly (ASSY)

**9Y0.044.956.C** 1x ⇒ Wire harness for rear camera, – 1100 mm, ASSY

Parts List:



Figure 2

Parts included with PORSCHE front and rear cameras (9Y0.044.951 ⇒ *Figure 2-1 - 7-*), set:

|                            |     |  |
|----------------------------|-----|--|
| — — — —                    | 1x  | 3M privacy film (front & rear camera) ⇒ <i>Figure 2-1-</i>                           |
| — — — —                    | 1x  | Front camera ⇒ <i>Figure 2-2-</i>  |
| — — — —                    | 1x  | Micro SD memory card (32 GB, plugged into front camera) ⇒ <i>Figure 2-3-</i>         |
| — — — —                    | 12x | Tie-wrap, 145 x 3.6 x 1.1 ⇒ <i>Figure 2-4-</i>                                       |
| — — — —                    | 6x  | Protective foam roll (Ø approx. 29 x 74) ⇒ <i>Figure 2-5-</i>                        |
| — — — —                    | 1x  | Rear camera ⇒ <i>Figure 2-6-</i>   |
| — — — —                    | 1x  | PORSCHE dashcam operating instructions ⇒ <i>Figure 2-7-</i>                          |
| 9Y0.044.955.A <sup>1</sup> | 1x  | Front camera retainer plate assembly with wire harness (360 mm) ⇒ <i>Figure 2-8-</i> |
| 9Y0.044.956.C <sup>1</sup> | 1x  | Wire harness for rear camera (1100 mm) ⇒ <i>Figure 2-9-</i>                          |

<sup>1</sup> Always order at the same time.

Repair Kit: Order “Adhesive pad” repair kit **ONLY** when replacing the windscreen/rear window.

|             |    |  |
|-------------|----|--|
| 9Y0.044.931 | 1x | “Adhesive pad” repair kit contains:                                  |
| — — — —     | 1x | Adhesive pad for front camera retainer plate (grey) on backing sheet |
| — — — —     | 1x | Adhesive pad for rear camera (grey)                                  |
| — — — —     | 1x | 3M privacy film (front & rear camera) ⇒ <i>Figure 2-1-</i>           |

Technical Details:

- Video recording in Quad High Definition (QHD)
- Lens with polarization filter to reduce reflections and improve colors and contrasts
- Audio recording (can be deactivated)
- Global positioning system (GPS) sensor
- Vibration sensor
- Radar sensor for video recording when an object is approaching the vehicle
- Bracket for the windscreen for fixed mounting on the vehicle
- Rear camera is permanently installed on the rear window

Material:

|         |    |   |
|---------|----|---|
| — — — — | 1x | Wrapping/insulating tape (commercially available) |
| — — — — | 1x | Cleaning cloth (commercially available)           |
| — — — — | 1x | Isopropanol (commercially available)              |

Tools:

**P90999 - P90999 - Porsche Tester 4th generation**  
 Tablet, smartphone or PC with Internet access  
 Round file Ø at least 5 mm, utility knife, scraper  
 Marking pencil / chalk

Flashlight

Plastic squeegee

## Assembly: 1 Preparatory work

1.1 Connect a battery charger. ⇒ *Workshop Manual '2X00IN Battery trickle charging'*1.2 Expose front roof/(interior) rear-view mirror area ⇒ *Figure 3*

- 1 – Rear-view mirror (interior) cover
- 2 – Roof console (front)
- 3 – Sun visor holder
- A – Front camera power supply pre-fitting position
- B – Rear camera video signal pre-fitting position

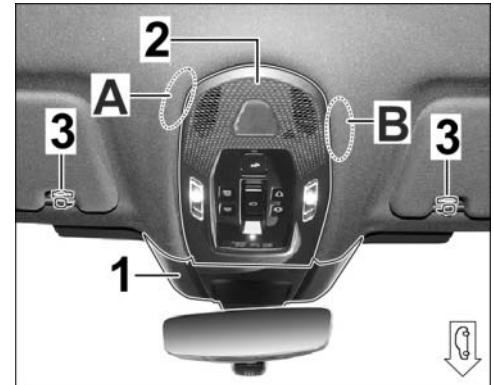


Figure 3

1.2.1 Remove cover on antenna and (front) roof console. ⇒ *Workshop Manual '708319 Removing and installing front roof console (SOS button)'*1.2.2 Remove sun visor holder (left/right) on the inside (⇒ *Figure 3-3-*). ⇒ *Workshop Manual '682319 Remove and install sun visor'*1.3 Exposing tailgate area ⇒ *Figure 4*

- 1 – Rear lid lower trim panel
- 2 – Trim panel for window frame, center
- 3 – Trim panel for window frame, right side
- A – Rear camera pre-fitting position



Figure 4

1.3.1 Remove the rear lid trim panel. ⇒ *Workshop Manual '708719 Removing and installing trim panel for rear lid'*1.3.2 Remove trim panel for center and right window frame. ⇒ *Workshop Manual '709219 Removing and installing tailgate trim panel'***NOTICE****Adhesive films not prepared/installed correctly**

- **Damage to adhesive films**
- **Inadequate adhesion of adhesive films**

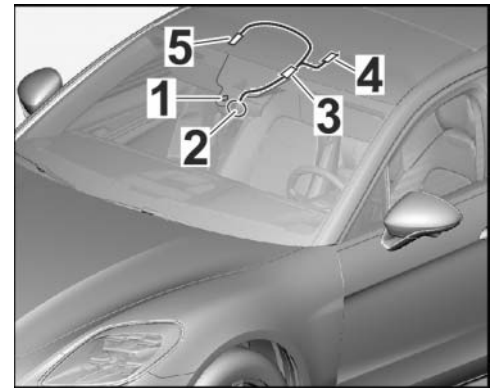
- ⇒ Carefully clean the areas on which you intend to stick the film to ensure that all traces of oil, grease and silicone are completely removed.
- ⇒ Do not touch the bonding surfaces.
- ⇒ Object (adhesive film, vehicle, etc.) and ambient temperature: Minimum temperature 15°C/ 59°F.

## 2 Installing front camera

Overview of installation position ⇒ *Front camera*

- 1 – Interior mirror
- 2 – Installation position of front camera
- 3 – Electric wire harness
- 4 – Power supply
- 5 – Rear camera connection (video signal)

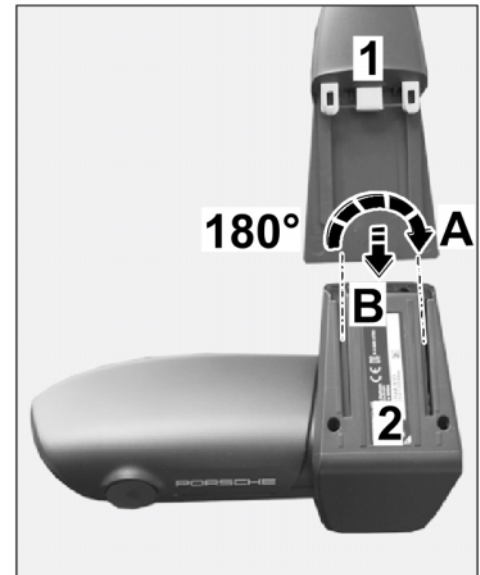
2.1 Position front camera (dashcam) to the **LEFT** of the interior mirror on the windscreen



*Front camera*

2.1.1 Install retainer plate with wire harness on the base of the front camera until the locking mechanism engages. ⇒ *Figure 5*

- 1 – Retainer plate with wire harness
- 2 – Front camera base



*Figure 5*

- 2.1.2 Trace the outline of the interior mirror base (⇒ *Figure 6-1-*) on the outside of the windscreen using a marking pencil/chalk.

- 1 – Interior mirror base
- 2 – Outline of front camera base
- 3 – Interior mirror
- 4 – Front camera
- X – 315 mm/ 12.4 in
- Z – 26 mm/ 1.02 in

- 2.1.3 Copy dimensions X and Z on the windscreen (⇒ *Figure 6-top-*).

Dimension X = distance from lower edge of outline of front camera base to edge of roof: **Length 315 mm/ 12.4 in**

Dimension Z = distance from inner edge of outline of front camera base to inner edge of outline of interior mirror base (circle): **Length 26 mm/ 1.02 in**



#### Information

Observe the following points during positioning/alignment:

- Sufficient distance between front camera and interior mirror base: at least 5 mm/ 0.2 in.
- Get another person standing in front of the vehicle to check and confirm the horizontal alignment of the camera with the PORSCHE logo!

- 2.1.4 Position front camera with retainer plate in the vehicle at the marking on the windscreen (⇒ *Figure 6-Arrows-*).

- 2.1.5 Get another person to trace and shade in the outline of the retainer plate on the outside of the windscreen using a marking pencil/chalk.

- 2.1.6 Clean the inside of the windscreen in the bonding area for the retainer plate (shaded area) to remove any dust and grease.

- 2.2 Install front camera (dashcam) on the windscreen

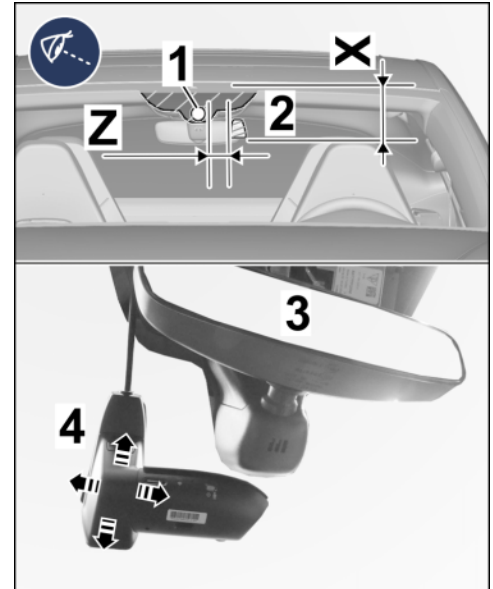


Figure 6

2.2.1 Pull 3M privacy film off the backing sheet (⇒ *Figure 7-A*).

- 1 – 3M privacy film (front camera)
- 2 – marked bonding surface
- 3 – Interior mirror base

2.2.2 Position 3M privacy film on the marked bonding surface on the windscreen (⇒ *Figure 7-B*) and affix.

2.2.3 Carefully affix 3M privacy film using a plastic squeegee, starting from the center and moving towards the edge.

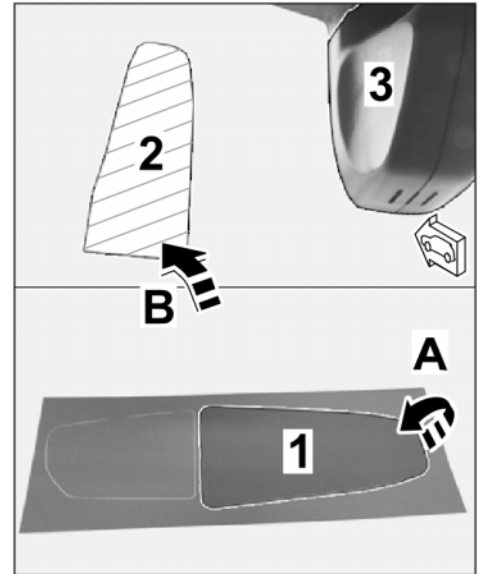


Figure 7

2.2.4 Pull protective film off the front camera retainer plate (⇒ *Figure 8-top*).



**Information**

Observe the following points during positioning/alignment:

- Sufficient distance between front camera and interior mirror base: at least 5 mm/ 0.2 in.
- Get another person standing in front of the vehicle to check and confirm the horizontal alignment of the camera with the PORSCHE logo!

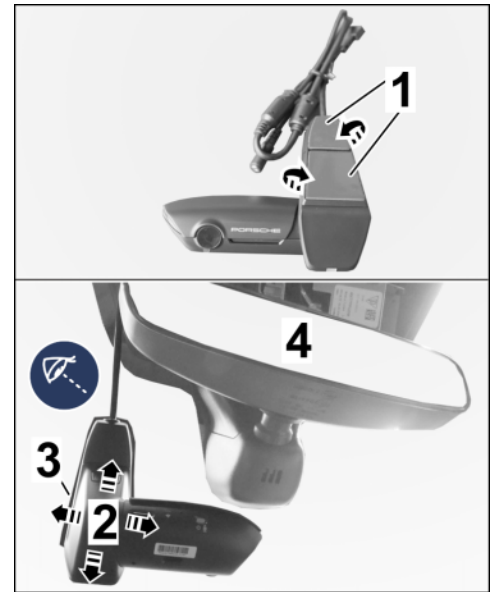


Figure 8

Align front camera with retainer plate symmetrically with respect to the 3M privacy film (⇒ *Figure 8-bottom*).

2.2.5 Press front camera with retainer plate firmly onto the 3M privacy film on the windscreen.

**Information**

Route electric wire harness along existing wiring, if installed.

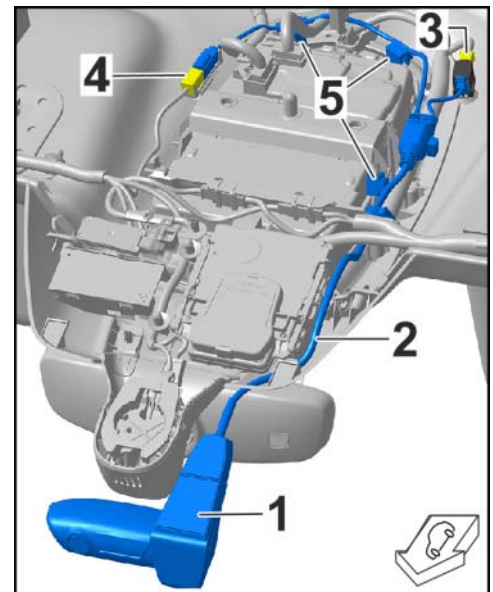
Make sure that safety components (airbags, etc.) are still working correctly!

## 2.3 Route and connect electric wire harness

Line routing ⇒ *Figure 9*:

- 1 – PORSCHE front camera
- 2 – Front camera mounting plate with wiring harness
- 3 – Power supply pre-fitting
- 4 – Rear camera pre-fitting
- 5 – Cable tie

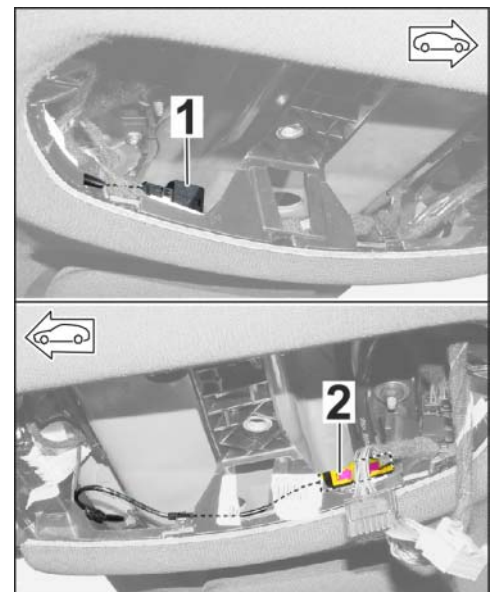
- Front camera → headliner/roof console  
→ along left side of roof console  
cut-out (viewed in direction of travel) →  
power supply pre-fitting → rear camera  
pre-fitting



*Figure 9*

2.3.1 Expose power supply pre-fitting  
plug connections and rear camera  
pre-fitting at the roof console.  
⇒ *Figure 10*

- 1 – Power supply pre-fitting
- 2 – Rear camera pre-fitting



*Figure 10*

2.3.2 Guide wire harness for front camera (dashcam) below headliner frame to roof console. ⇒ *Figure 11*

- 1 – Front camera wiring harness
- 2 – Headliner frame
- 3 – Protective foam roll

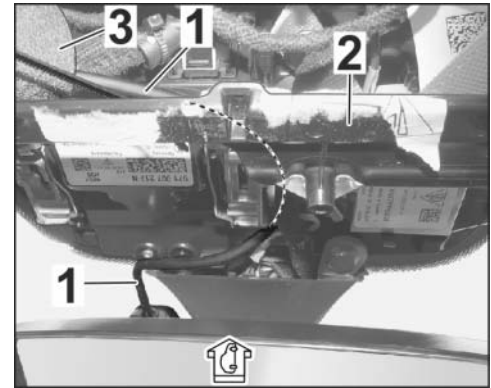


Figure 11

2.3.3 Slide protective foam roll (⇒ *Figure 11-3-*) over plug connections.

2.3.4 Connect plug connection for power supply pre-fitting (roof console at the left in direction of travel).

2.3.5 Route rear camera link along existing lines to rear camera pre-fitting (roof console at the right in direction of travel).

2.3.6 Connect plug connection for the rear camera pre-fitting and re-install it in the holder.

2.4 Make groove for wire harness for retainer plate in cover on antenna. ⇒ *Figure 12 (similar)*

- 1 – Antenna cover
- 2 – Locking lug
- 3 – Groove
- D – Groove diameter approx. 5 mm/ 0.2 in

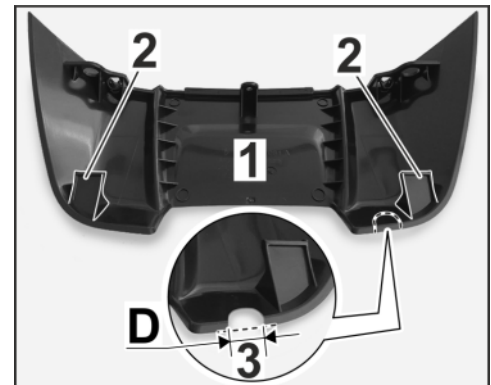


Figure 12 (similar)

2.4.1 Install antenna cover provisionally on the roof console.

2.4.2 Check that the front camera wire harness is routed vertically from retainer plate to the roof and mark the position of the outer wire harness on the antenna cover.

2.4.3 Remove antenna cover from the roof console and check whether the marking is at the left or right of the left retaining bar.

2.4.4 Make a groove (approx. 5 mm/ 0.2 in) for the wire harness for the retainer plate at the side of the left locking lug.

2.5 Install antenna cover.

2.6 Secure routed wire harness to existing lines/components in the vehicle with tie-wraps without tensile stress and so that no chafing occurs.

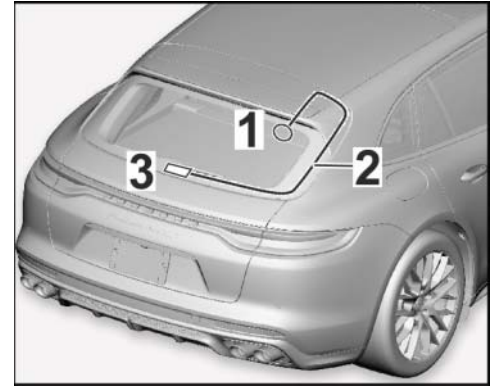
### 3 Installing rear camera

Overview of installation position of rear camera:

⇒ *Rear camera*

- 1 – Installation position of rear camera
- 2 – Electric wire harness
- 3 – Rear camera pre-fitting

#### 3.1 Positioning rear camera on rear window.



*Rear camera*

#### 3.1.1 Copying dimensions to rear window

⇒ *Figure 13*

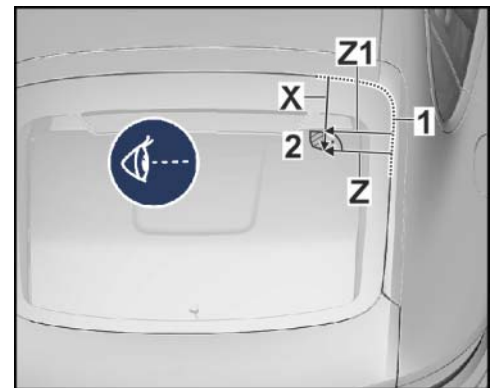
- 1 – Edge of rear window
- 2 – Outline of rear camera base
- X – 269 mm/ 10.59 in
- Z – 178 mm/ 7.0 in

Dimension Z1 = distance from edge of rear window (right edge) / rear camera base (bottom right corner):

**Length 174 mm/ 6.85 in**

Dimension X = distance from upper edge of rear window to rear camera base (lower edge): **Length 269 mm/ 10.59 in**

Dimension Z = distance from rear window (right edge) / rear camera base (bottom right corner): **Length 178 mm/ 7.0 in**



*Figure 13*

#### 3.1.2 Install rear camera base on the outside of the rear window.

#### 3.1.3 Trace and hatch the outline of the rear camera base using a grease stick/chalk. ⇒ *Figure 13-2-*

### 3.2 Fixing privacy film

#### 3.2.1 Clean bonding area for rear camera (marking) on inside of rear window to remove any dust and grease.

- 3.2.2 Peel backing sheet off 3M privacy film (rear camera). ⇒ *Figure 14 -A-*
  - 1 – 3M privacy film (rear camera)
- 3.2.3 Position and affix 3M privacy film on marked bonding surface on inner rear window. ⇒ *Figure 14 -B-*
- 3.2.4 Carefully affix 3M privacy film using a plastic squeegee, starting from the center and moving towards the edge.
- 3.3 Installing rear camera on rear window

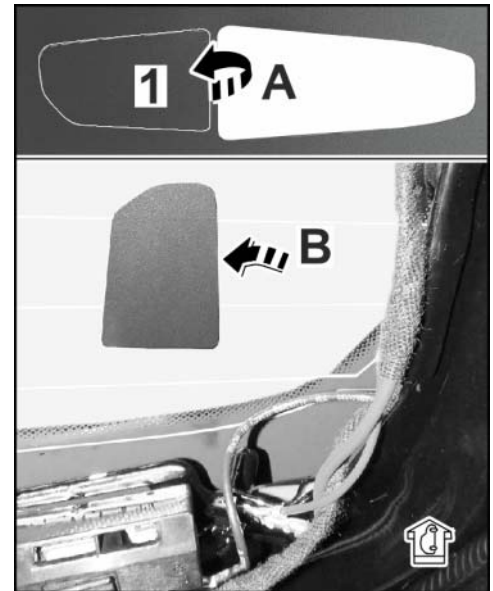


Figure 14

- 3.3.1 Insert wiring harness plug into rear camera (⇒ *Figure 15 -Arrow-*) and position line in cable duct.
  - 1 – Plug with wire harness
  - 2 – Rear camera
  - 3 – Cable duct
  - 4 – Protective film



Figure 15

- 3.3.2 Peel protective film (⇒ *Figure 15 -4-*) off the rear camera base.

- 3.3.3 Align rear camera symmetrically to 3M privacy film on inside of rear window, install and press it firmly onto rear window. ⇒ *Figure 16*
  - 1 – Rear camera
  - 2 – Plug with wire harness

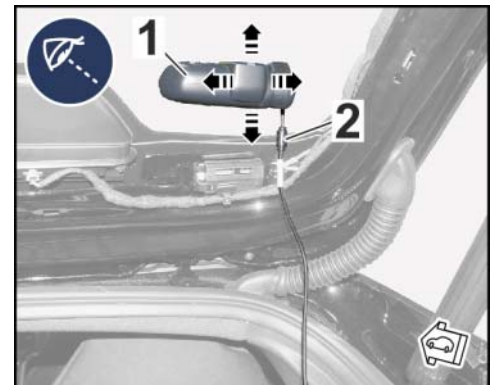


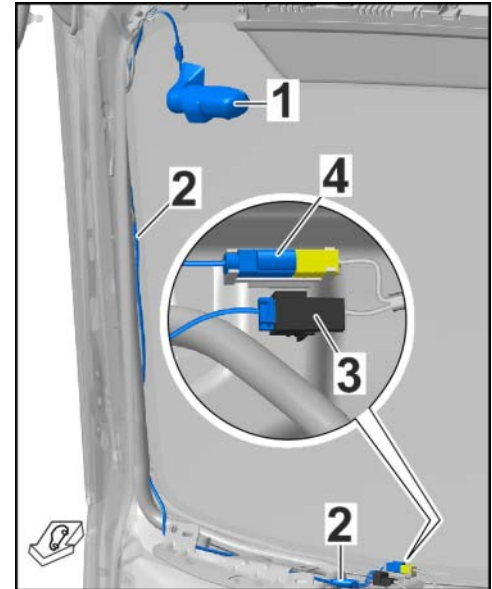
Figure 16

- 3.4 Route and connect wire harness

Line routing: ⇒ *Figure 17*

- Rear camera → rear window frame (top) → along rear window frame (right-hand side, viewed in direction of travel) → power supply pre-fitting → video signal pre-fitting

3.4.1 Route wire harness along the existing lines for the rear camera pre-fitting (underneath rear window).

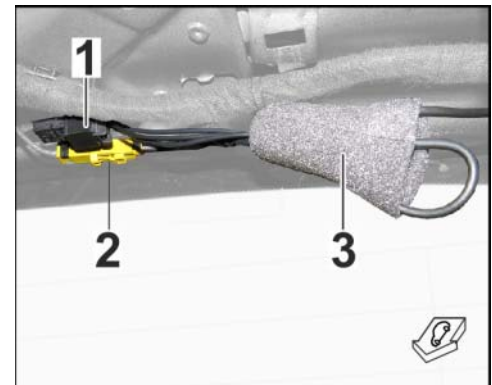


*Figure 17*

3.4.2 Connect plug connection for power supply pre-fitting (underneath rear window). ⇒ *Figure 18-1-*

- 1 – Power supply
- 2 – Video signal plug connection
- 3 – Protective foam roll (Ø approx. 29 x 74)

3.4.3 Remove video signal plug connection from holder and remove dummy plug.



*Figure 18*

3.4.4 Connect plug connection for video signal pre-fitting and install it in the holder. ⇒ *Figure 18-2-*

3.4.5 Secure routed wire harness to existing lines/components in the vehicle with tie-wraps without tensile stress and so that no chafing occurs.

#### 4 Interior finishing work

##### 4.1 Rear lid area

4.1.1 Temporarily install trim panel for window frame of rear lid (right side ⇒ *Figure 19-3-*) in the area of the rear camera.

- 1 – Rear camera
- 2 – Wire harness
- 3 – Window frame trim panel

Check that there is sufficient space for the rear camera wiring harness.

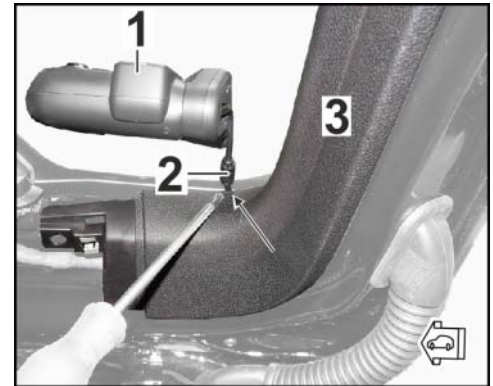


Figure 19

4.1.2 If not: Mark line routing on trim panel. ⇒ *Figure 19-Arrow-*

4.1.3 Remove trim from boot lid window frame and cut a groove for the wiring harness at the marking.

4.1.4 Install trim panel for center and right side window frame. ⇒ *Workshop Manual '709219 Removing and installing tailgate trim panel'*

4.1.5 Install the rear lid trim panel. ⇒ *Workshop Manual '708719 Removing and installing trim panel for rear lid'*

4.2 Front roof/rear-view mirror area (interior)

4.2.1 Install sun visor holder (left/right) on the inside. ⇒ *Workshop Manual '682319 Remove and install sun visor'*

4.2.2 Install cover on antenna and (front) roof console. ⇒ *Workshop Manual '708319 Removing and installing front roof console (SOS button)'*

Coding: 5 Coding PORSCHE front and rear cameras in dealer mode

5.1 Preparatory work

- 1 – PORSCHE front camera
- 2 – Micro SD memory card (32 GB)
- 3 – Retainer plate
- 4 – Power button
- 5 – WiFi status LED display
- 6 – PRESS (release button)

5.1.1 Remove micro SD memory card (32 GB, ⇒ *Figure 20-2-*) from card slot for front camera.

5.1.2 With the ignition switched on, push the front camera (dashcam ⇒ *Figure 20-1-*) on to the retainer plate on the wind-screen (⇒ *Figure 20-3-*).

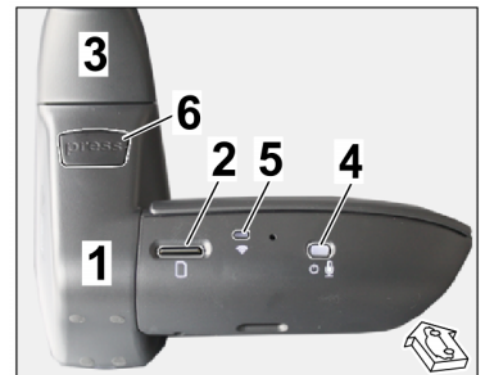


Figure 20

- 5.1.3 Press the power button (⇒ *Figure 20-4-*) for 10 seconds until you hear the second double beeping sound.
- 5.1.4 The front camera (dashcam) starts in Dealer mode: WiFi LED (⇒ *Figure 20-5-*) lights up "yellow".
- 5.2 Connect the front camera (dashcam) to the device (tablet, smartphone or PC)

**Information**

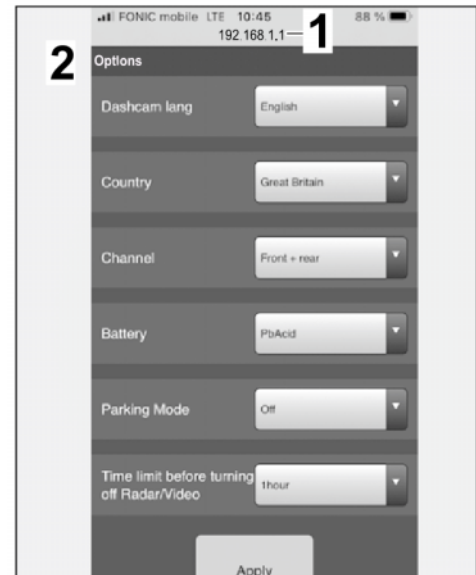
The "Dealer mode" network ID name ends with a "D". A password is **NOT** required!

The language setting can be changed by following the menu prompts after opening the first page.

- 5.2.1 Search available networks for Dealer mode WiFi.
- 5.2.2 Open Dealer mode on the device (tablet, smartphone or PC) using any browser.  
To do this, enter "**192.168.1.1/diagnostics**" in the browser's address line.
- 5.2.3 Displays in "Dealer mode" main menu:

Options: (⇒ *Figure 21*)

- 1 – Browser's address line
- 2 – "Options" menu item

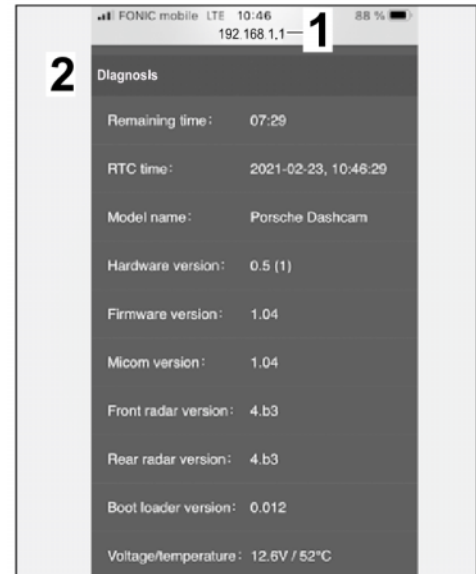


*Figure 21*

Diagnostics: ⇒ *Figure 22*

- 1 – Browser’s address line
- 2 – “Diagnostics” menu item

5.3 Basic settings for front camera (dashcam) in the “Options” menu item ⇒ *Figure 23*



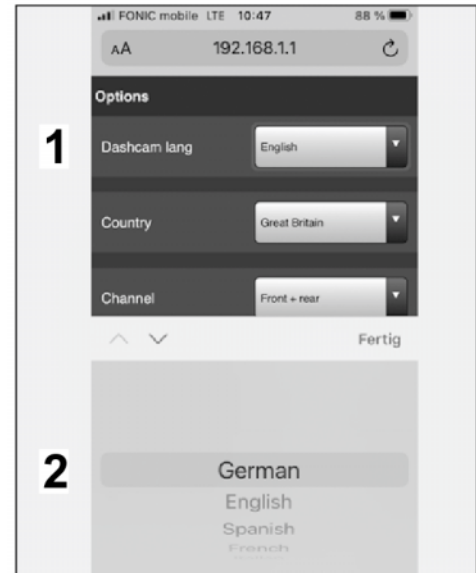
*Figure 22*

5.3.1 Change the default language “English” to the desired language:

- 1 – Default language “English”
- 2 – German

Example: German ⇒ *Figure 23*

- Up to 19 different languages can be selected.



*Figure 23*

**Information**

If the relevant country is **NOT** displayed in the drop-down menu:  
Please select "Global".

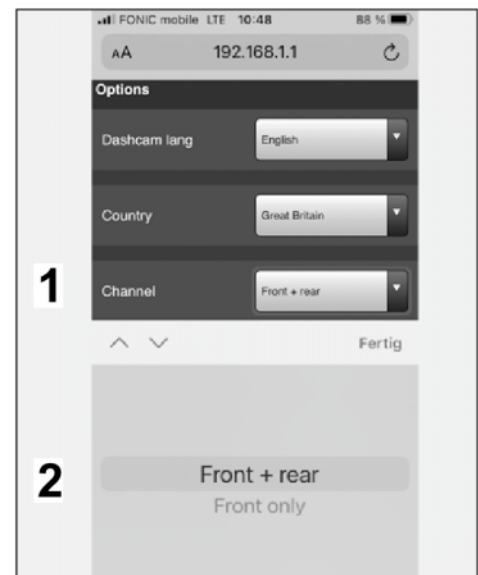
5.3.2 Select the country ⇒ *Figure 24*

- 1 – Serial number of front and rear cameras
- 2 – Country
- 3 – Great Britain

- Up to 48 countries are currently available for selection.
- The Country selection screen includes, for example: Units of measurement, frequencies and also legal regulations of the respective country.
- **Panamera:** ⇒ Choose Region/ State/ Country by selecting the appropriate flag.

*Figure 24*5.3.3 Select the required camera channel ⇒ *Figure 25*

- 1 – Channel
  - 2 – Front + Rear
- **TEQUIPMENT:** ⇒ "Front + rear" is preset.

*Figure 25*



### Information

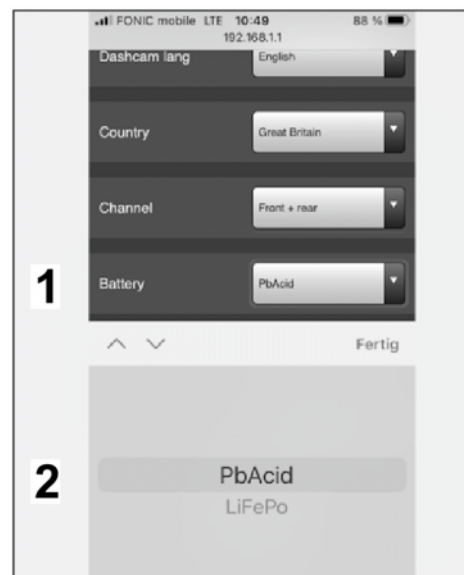
Check which vehicle electrical system battery is installed in the vehicle if necessary by entering the vehicle identification number (VIN) in the Porsche Central Service System (PCSS).

**Background:** The front camera shuts down if the correct battery voltage (switch-off threshold) is not reached over a period of 5 minutes.

- Switch-off threshold for lead-acid battery (PbAcid) = 11 V
- Switch-off threshold for lithium-ion battery (LiFePO) = 13 V

#### 5.3.4 Select battery type ⇒ *Figure 26*

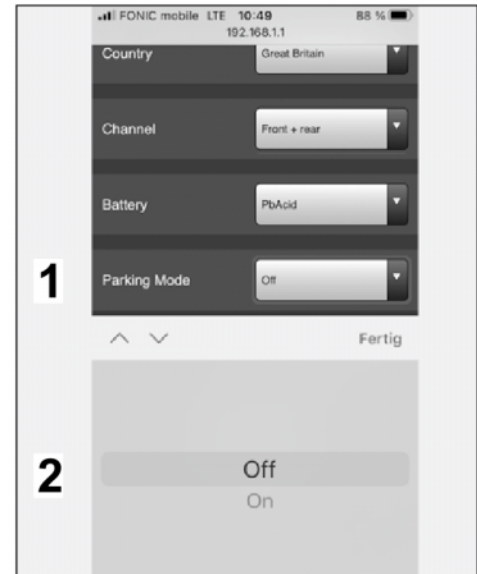
- 1 - Battery
  - 2 - PbAcid
- Select the vehicle electrical system battery installed in the vehicle.
  - **Panamera:** ⇒ Lead-acid battery (PbAcid)



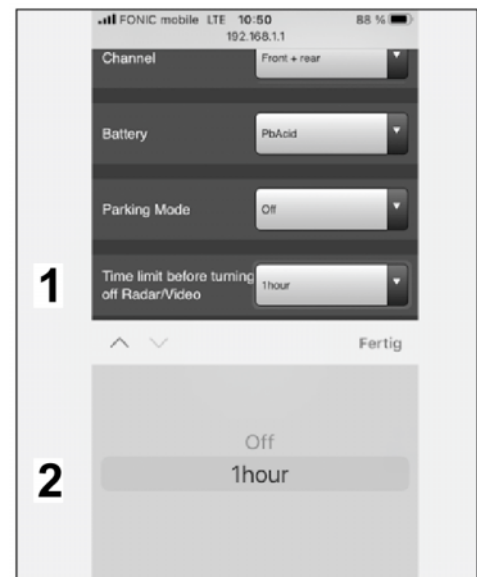
*Figure 26*

5.3.5 Select Park mode ⇒ *Figure 27*

- 1 – Park mode
  - 2 – Off
- Depending on the approval for the respective vehicle.
  - **Panamera:** ⇒ Select "On".

*Figure 27*5.3.6 Select the time limit ⇒ *Figure 28*

- 1 – Time limit until radar/video is switched off
  - 2 – 1 hour
- Turn off radar/video monitoring in Park mode (battery management). After the selected time limit, fast activation of the monitoring system ONLY occurs if the vehicle shakes/vibrates!
  - **Panamera:** ⇒ Skip. Leave the default setting.

*Figure 28*

## 5.4 Cancel Dealer mode (WiFi LED is still yellow)

5.4.1 Close the browser and switch off ignition.

5.4.2 Pull the front camera (dashcam) off the retainer plate by pressing "PRESS" (release button).

5.4.3 Insert micro SD memory card (32 GB) in the front camera (dashcam).

5.4.4 Install the front camera (dashcam) in the retainer plate.

5.5 The settings configured under **Step 5.3** are set when the ignition is switched on again.

5.6 Format the micro SD memory card (32 GB)

5.6.1 Switch on ignition.

5.6.2 Press the power button quickly 6 times in a row within 3 seconds.

Announcements via front camera loudspeaker: "Formatting in progress." and "Formatting completed."

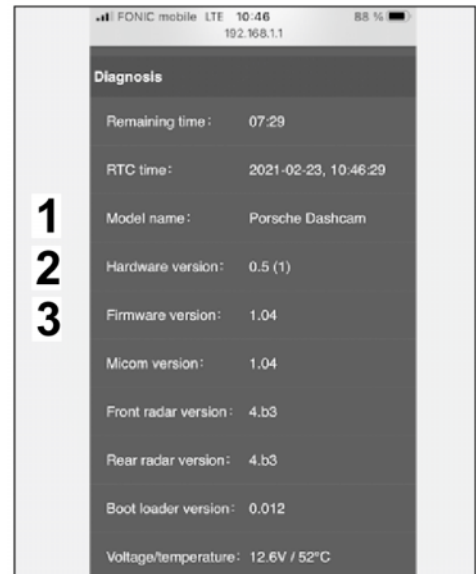
Diagnostics: 6 Diagnostics – **ONLY** if required!

In the "Diagnostics" menu, information can be displayed, function tests can be run and results can be stored.

6.1 Information about the model name, hardware and software version, radar and more.

⇒ *Figure 29*

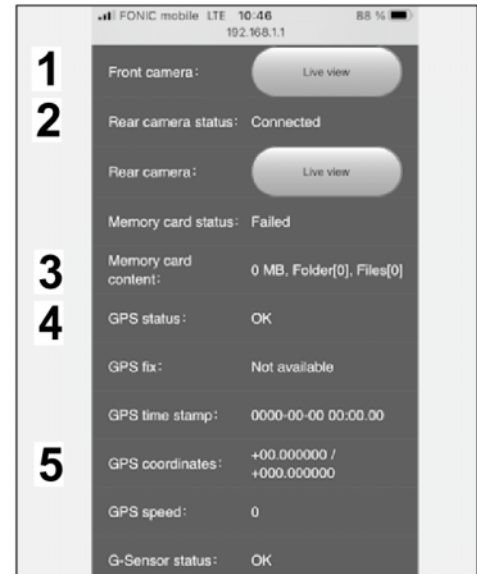
- 1 – Model name
- 2 – Hardware release
- 3 – Software release



*Figure 29*

6.2 Display of live images from front camera, connection status, memory card status, GPS and radar status and more. ⇒ *Figure 30*

- 1 – Front camera live image
- 2 – Rear camera status
- 3 – Micro SD memory card contents
- 4 – GPS status
- 5 – GPS coordinates

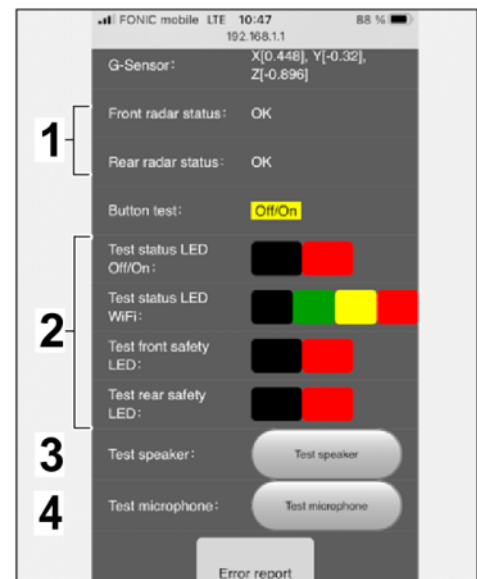


*Figure 30*

6.3 Display of radar status, test options for LED lights, loudspeaker and microphone. ⇒ *Figure 31*

- 1 – Radar status
- 2 – LED Lights test
- 3 – Loudspeaker test
- 4 – Microphone test

6.4 The fault report can be stored on the micro SD memory card (32 GB). To do this, use micro SD memory card in Dealer mode and select "Diagnostics" menu item in the front camera.



*Figure 31*

Assembly: 7 Follow-up actions

7.1 Read out the fault memory of all systems, work through any existing faults and erase the fault memory. ⇒ *Workshop Manual '0X03IN Diagnostics maintenance: Diagnostic system and maintenance inter...'*

7.2 Disconnect the battery charger. ⇒ *Workshop Manual '2X00IN Work instructions after disconnecting the battery'.*

7.3 Vehicle handover to customer



## Information

Please pass all this information on to the customer.

Also give the customer the PORSCHE dashcam operating instructions.

Also give the first 3 pages of these Installation and Conversion Instructions to the customer.

- 7.3.1 Download the app from the App Store to the customer's device (smartphone/tablet).
- 7.3.2 If the vehicle is present, connect the Porsche front & rear camera WiFi to the vehicle WiFi (see also vehicle operating instructions ⇒ Porsche Connect).
- 7.3.3 Select and set Region/State/Country (flag) in the app on the customer's smartphone/tablet.
- 7.3.4 Have the customer update firmware using the app.
- 7.3.5 Format micro SD memory card (32 GB).

91 63 23 42: –PORSCHE front and rear cameras (1x) retrofitted– Labor time: **252 TU**  
Includes: Install PORSCHE front camera (dashcam) on the windscreen, route and connect electrics;  
Install PORSCHE rear camera on the rear window, route and connect electrics;  
Format coding of the PORSCHE front and rear cameras in dealer mode and in the micro SD memory card,  
Read out fault memory, correct faults and delete them.

**Important Notice:** Technical Bulletins issued by Porsche Cars North America, Inc. are intended only for use by professional automotive technicians who have attended Porsche service training courses. They are written to inform those technicians of conditions that may occur on some Porsche vehicles, or to provide information that could assist in the proper servicing of a vehicle. Porsche special tools may be necessary in order to perform certain operations identified in these bulletins. Use of tools and procedures other than those Porsche recommends in these bulletins may be detrimental to the safe operation of your vehicle, and may endanger the people working on it. Properly trained Porsche technicians have the equipment, tools, safety instructions, and know-how to do the job properly and safely. Part numbers listed in these bulletins are for reference only. The work procedures updated electronically in the Porsche PIWIS diagnostic and testing device take precedence and, in the event of a discrepancy, the work procedures in the PIWIS Tester are the ones that must be followed.

© 2024 Porsche Cars North America, Inc.