

**Cayenne E-Hybrid – Thermal Management Fault P26B100 Causes Check Engine Light**

**Vehicles Affected**

| Models  | Model Year            | Model Type                                               | VIN Range | Vehicle-Specific Equipment |
|---------|-----------------------|----------------------------------------------------------|-----------|----------------------------|
| Cayenne | As of 2019 up to 2023 | 9YAAE1<br>9YACH1<br>9YADE1<br>9YBAE1<br>9YBCH1<br>9YBDE1 | N/A       | +OK3                       |

**Revision History**

| Revision | Release Date      | Changes                                                 |
|----------|-------------------|---------------------------------------------------------|
| 0        | August 3, 2022    | Original document                                       |
| 1        | March 16, 2023    | Update of MY, Technical Background, Service Information |
| 2        | April 27, 2023    | Update of Service Information                           |
| 3        | November 15, 2023 | Update of Service Information                           |
| 4        | June 13, 2024     | Update of Service Information                           |

**Condition**

The customer complains of a check engine light. The light may be continuous or intermittent.

The workshop finds the fault P26B100 - Directional-control valve for high-temperature circuit (UVW3) – function implausible stored in the Thermal Management Control Unit (TME).

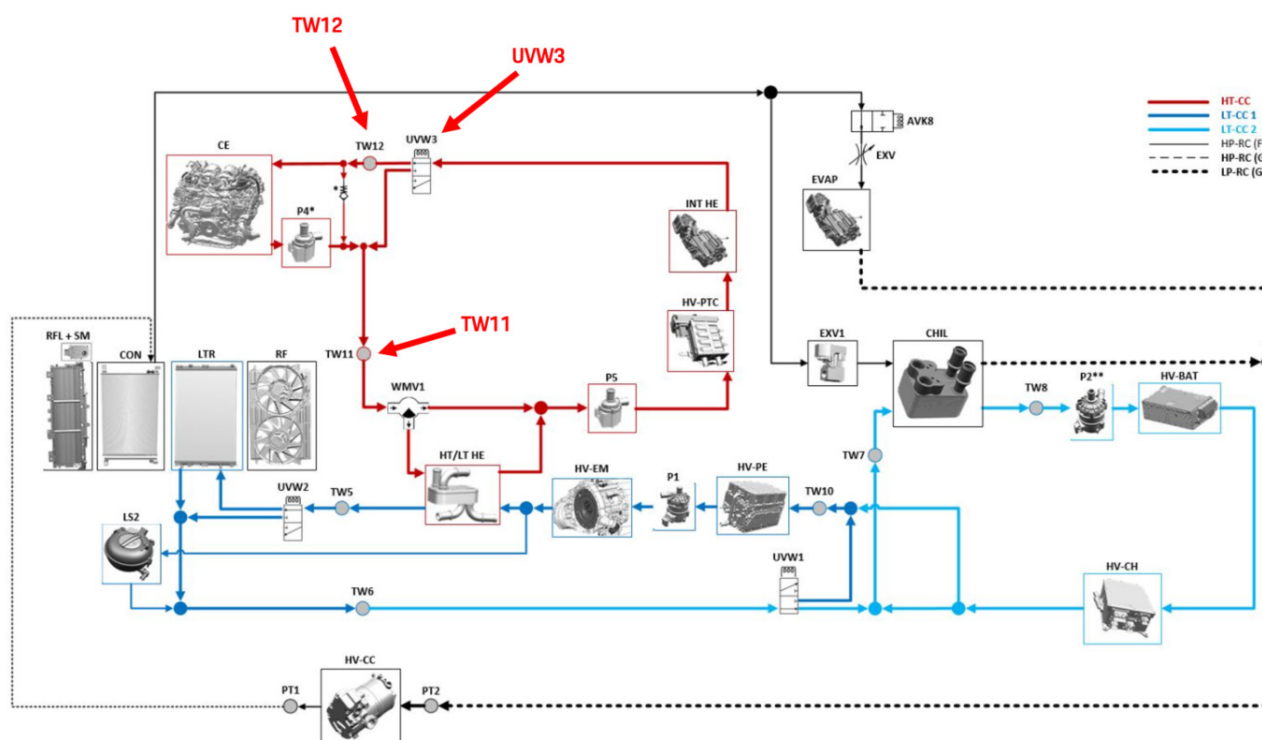
**Area of Occurrence (DME, Instrument Cluster, etc.)**

82740 – Directional-control valve (changeover valve UVW3)

**Technical Background**

The aforementioned fault code may be caused by a misdiagnosis of the directional control valve for the high temperature circuit for interior heating (valve UVW3).

Under certain operating conditions, a lack of temperature difference between the engine coolant circuit and the interior heating circuit may result in the TME diagnosing valve UVW3 as “stuck closed”, despite no mechanical fault in the valve.



**Figure 1 - Cayenne E-Hybrid Cooling Circuits**

Valve UVW3 controls the direction of coolant flow based on engine temperature. The valve defaults to closed, such that the high-temp circuit excludes the engine coolant circuit. During this “small-circuit” operation, the HV PTC controls the temperature of the high-temp circuit to meet the heating and air conditioning demands of the customer. Once the engine reaches 40° C, the valve opens (“large-circuit” operation) and the high-temp circuit uses the engine heat instead of the HV PTC.

The status of UVW3 is diagnosed by the absolute value of the temperature difference between TW11 and TW12. The TME expects this difference to be **larger than 7° C while the valve is closed, but smaller than 7° C while the valve is open**. Certain operating conditions may cause the temperature difference to fall below 7° C while the valve is closed. If this condition exists while the TME is performing diagnostics, the valve will be diagnosed as open, although it is closed due to the engine temperature being less than 40° C.

### Service Information

1. Please create a VAL to document the occurrence of the fault.
2. If applicable, please complete Workshop Campaign WPRO. Please complete this Campaign per the instructions in TI 177/23, before performing any other diagnosis work for the subject fault code.  
**NOTE:** Please reference the below table for the appropriate TME software and coding information after completing Campaign WPRO. (Data Record Version can be found in the Extended Identifications tab for the TME.)

| Model Year | Engine Type | Target TME Software Version | Target TME Data Record Version |
|------------|-------------|-----------------------------|--------------------------------|
| 2019 (K)   | V6 PHEV     | 0305                        | S012                           |
| 2020 (L)   |             |                             |                                |
| 2021 (M)   | V6 PHEV     | 0305                        | S011                           |
| 2022 (N)   |             |                             |                                |
| 2023 (P)   |             |                             |                                |
| 2020 (L)   | V8 PHEV     | 0305                        | S012                           |
| 2021 (M)   |             |                             |                                |
| 2022 (N)   |             |                             |                                |
| 2023 (P)   |             |                             |                                |

3. If the fault persists after performing WPRO, please continue with other means of diagnosis.

### Warranty

As always, please document the repair completely in PCSS.

For this repair, please code the "cause" as follows:

Cause location: 82740 Directional-control valve

Cause symptom: 1613 No function occasionally

Use the following troubleshooting labor operation:

03350000 On board diagnostic

Additional labor operations may be claimed only as needed.

### Search Items

Cayenne, 9YA, 9YB, check engine light, TME, thermal management, P26B100, hybrid, E-Hybrid

**Important Notice:** Technical Bulletins issued by Porsche Cars North America, Inc. are intended only for use by professional automotive technicians who have attended Porsche service training courses. They are written to inform those technicians of conditions that may occur on some Porsche vehicles, or to provide information that could assist in the proper servicing of a vehicle. Porsche special tools may be necessary in order to perform certain operations identified in these bulletins. Use of tools and procedures other than those Porsche recommends in these bulletins may be detrimental to the safe operation of your vehicle, and may endanger the people working on it. Properly trained Porsche technicians have the equipment, tools, safety instructions, and know-how to do the job properly and safely. Part numbers listed in these bulletins are for reference only. The work procedures updated electronically in the Porsche PIWIS diagnostic and testing device take precedence and, in the event of a discrepancy, the work procedures in the PIWIS Tester are the ones that must be followed.