



SERVICE BULLETIN

Vermeer Corporation

Environmental
Pella, Iowa 50219 USA

FIELD CAMPAIGN SERVICE BULLETIN #: SVC2024-002 Rev.1

DATE: 2 July 2024

CAMPAIGN TYPE:	Mandatory – Product Compliance DEALER INSTALLATION ONLY
CAMPAIGN CATEGORY:	Kit and Bulletin

Revision:

1. The kit and bulletin are being revised to move all open machine serial numbers from IK02 to IK01. See pages 7 – 9 of this bulletin for specific serial numbers that are in red font.
2. Product safety department will send reports to dealers for the added machines which are located in their area on July 2, 2024. Please respond with any edit to owner/address by July 15, 2024.
3. Owner notifications will be sent to registered machine owners of the recently added machines on July 16, 2024. See sample owner notifications letter 2 on page 20 of this bulletin.

The remainder of this bulletin is provided for reference as originally published on 16 November 2023.

MACHINE/ ATTACHMENT MODEL(S):	SERIAL NUMBERS:		Kit version
	Included	Excluded	
BC1000XL	52671, 52676, 52737, 52751, 52959, 52969, 53267, 53566 53568, 53711 See attached listing on page 7-9 of this bulletin for specific serial numbers.	None	IK01 Inspection only
BC1000XL	See attached listing on pages 10 – 14 of this bulletin for specific serial numbers	None	IK02 Install kit

Subject:



Deutz Engine Emissions Label Kit (IK004413 REV)

ENGINE EMISSIONS CONTROL INFORMATION LABELS PROVIDED WITH MISSING OR INCORRECT INFORMATION

Background:

Engine Emissions Control Information (ECI) labels provided by Deutz AG applied to G2.9 gasoline engines installed in affected machines may have contained misprints or incorrect label language that is not part of the applicable regulatory content in the U.S. and Canada.

Example photo of an engine Emission Control Information (ECI) label is shown to the right.



IMMEDIATE MACHINE MODIFICATIONS REQUIRED

IK004413 has been created to provide corrected engine ECI labels and instructions for their installation. **This kit must be installed as soon as possible, including submission of required information as set forth in the kit instructions.**

Solution:

When the engine Emission Control Information (ECI) inspection from (located on page 6) is returned to product safety, each machine's iWarranty campaign record will be updated as shown below. If a dealer is the machine owner, please also complete and submit the engine Emission Control Information (ECI) inspection form to safetyform@vermeer.com.

Campaign #	Campaign description	Status	Code meaning
IK014413	Deutz Engine Emissions Label Kit	Open	Machine owner has not returned the ECI label inspection form.
IK014413		Done	Machine owner has returned the ECI label inspection form, indicating the engine serial number. The machine will be added to IK024413.
IK024413		Open	The machine engine serial number has been identified and the Deutz engine ECI label kit needs to be installed.

DEALER PARTICIPATION

REVIEW REPORT, ORDER KITS, CONTACT CUSTOMERS

- Review report.** Reports will be emailed during the week of November 16, 2023, to dealerships shown in our records which have units in their territory affected by this alert. Please review the report for accuracy, including owner and/or address changes.

If the information contained in the report is **not** correct, please notify the product safety and compliance department on or before November 28, 2023, at:

Telephone: 641-621-7060
Fax: 641-621-8562
Email: productsafety@vermeer.com

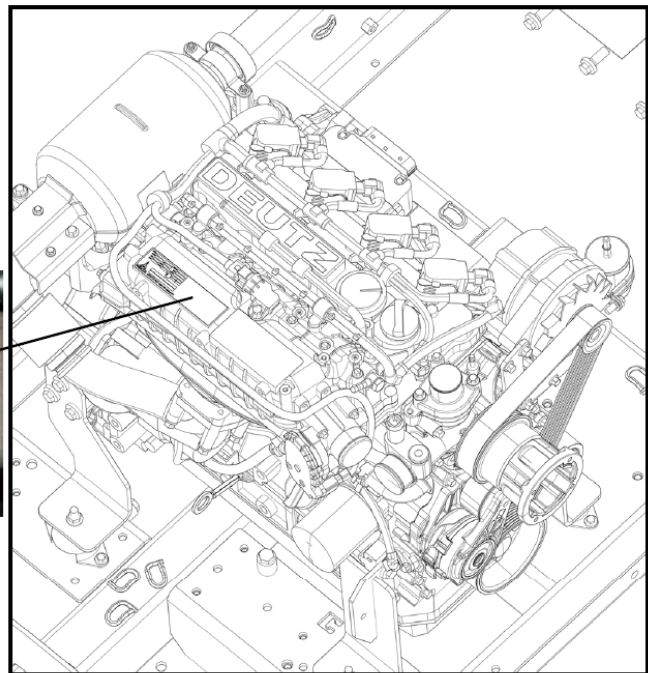
Note: Letters will be sent to the customer(s) on or about **November 30, 2023**.

2. **Dealership orders kits** by emailing productsafety@vermeer.com with the model and serial number(s). Engine ECI labels are machine specific.
3. **Contact your affected customer(s)**
 - a. Discuss machine owner returning engine ECI label inspection form (sample on page 14 of this bulletin) to safetyform@vermeer.com.
 - b. Once the engine serial number has been identified, schedule a mutually acceptable time to install IK024413 to their machine(s).

If you have any questions concerning the installation of IK004413 REV, please contact the environmental service department.

ECI label inspection procedure for IK014413:

1. Locate ECI label on air intake manifold on top of engine.



2. Take a picture of the ECI label
 - a. Email the picture with the completed engine ECI label inspection form to safetyform@vermeer.com to receive \$25.00 parts credit certificate, and for Vermeer to update records.
 - b. Contact your local Vermeer dealer immediately to make arrangements to get IK024413 installed.

REIMBURSEMENT

1. **IK014413** is inspection only.

- a. **Dealer assisting owner:** If dealer assists owner with the inspection, dealer will be reimbursed 0.5-hour labor, once the ECI label inspection form has been completed and returned to safetyform@vermeer.com. Dealer must submit a **standard warranty** claim with inspection form attached referencing SVC2024-002 as the causal part number.
 - b. **Dealer inventory:** If machine is in dealer inventory, once ECI label inspection form has been completed and returned to safetyform@vermeer.com, submit a **standard warranty** claim for 0.5-hour referencing SVC2024-002 as the causal part number and attach the inspection form.
2. **IK024413** is the Deutz engine emissions label kit.
 - a. Once the engine serial number has been identified, a campaign warranty claim for kit version IK024413 must be submitted to the warranty department for reimbursement of cost of labor to install the kit. Labor hours to install: 0.5 hours.
 - b. Travel will be paid up to \$200 (\$1 per mile with a \$200 max round trip) with copy of work order attached for retailed machines not in dealer inventory. If dealer repairs more than one machine at same location on one trip, travel will only be paid on one of the model/VINs.
3. **Owner's ECI label inspection reimbursement:** Vermeer \$25.00 USD parts certificate will be mailed to machine owners who return engine ECI inspection form. To receive reimbursement for the parts certificates, submit a **standard warranty** claim referencing SVC2024-002 **as the causal part number** and attach a copy of the parts certificate. Add the parts certificate to the other charges tab as a net item. Dealers are not eligible to receive the parts certificate for machines in dealer inventory.

Note: *Future notices to dealers and owners are dependent upon the receipt of warranty claims.*

What owners will be asked to do for **IK014413**:

1. **Owner letters and inspection forms** will be sent by Vermeer Corporation directly to owners on **November 30, 2023**, via USPS certified/registered mail. Sample owner letter and ECI label inspection form are shown on page 12-14 of this bulletin. Owner registrations indicate no translations are required for this campaign. The owner letter and ECI label inspection form will only be available in English and French.
2. **Owner ECI label inspection.** The owner letter and ECI label inspection form provide instruction to identify the engine serial number on the machine and return the form along with pictures to safetyform@vermeer.com.
3. **Vermeer \$25 USD part credit certificate** will be sent to owners who return the ECI label inspection form to safetyform@vermeer.com.

OWNER NOTIFICATION

Sample letter: Included at the end of this bulletin is a sample letter which will be sent by Vermeer Corporation directly to the owners on or about November 30, 2023. Owner notice translations will be provided in the following languages:

- | |
|--|
| <ul style="list-style-type: none"> • French |
|--|

All translated owner notices will also include owner notification in English.

This owner notification/letter instructs the owner **to contact their local dealership** to arrange for a time to have the kit installed. After receiving IK004413 from the parts distribution center, you must **contact your affected customer(s) immediately** and schedule a mutually acceptable time to upgrade their machine.

We regret any inconvenience these corrective measures may cause you.

PRODUCT COMPLIANCE DEPARTMENT

Attachment:
IK004413 Rev Kit Instructions

<p>Completion schedule:</p> <p><input type="checkbox"/> Product Safety Alert: Install immediately</p> <p><input checked="" type="checkbox"/> Product Compliance Alert: Install immediately</p> <p><input type="checkbox"/> 90 days from date of this bulletin</p> <p><input type="checkbox"/> 180 days from date of this bulletin</p> <p><input type="checkbox"/> 1 year from date of this bulletin</p> <p><input type="checkbox"/> Only units within standard limited warranty period</p> <p><input type="checkbox"/> N/A</p>	<p>Reimbursement:</p> <p><input type="checkbox"/> Product Safety Alert</p> <p><input checked="" type="checkbox"/> Product Compliance Alert</p> <p><input checked="" type="checkbox"/> All units listed above with less than __ hours or warranty start date in the last __ months</p> <p style="padding-left: 20px;"><input checked="" type="checkbox"/> Parts <input checked="" type="checkbox"/> Labor paid (Labor code: SB24)</p> <p><input type="checkbox"/> Only units within standard limited warranty period</p> <p><input type="checkbox"/> No reimbursement</p>
---	---

<p>Internal Reference: TREAD Act Code <i>(Choose one or more applicable codes)</i></p>	<input checked="" type="checkbox"/>	--	Not applicable	<input type="checkbox"/>	12	Exterior lighting
	<input type="checkbox"/>	02	Suspension	<input type="checkbox"/>	16	Structure
	<input type="checkbox"/>	03	Service brake system, hydraulic	<input type="checkbox"/>	17	Latch
	<input type="checkbox"/>	04	Service brake system, air	<input type="checkbox"/>	19	Tires
	<input type="checkbox"/>	05	Parking brake	<input type="checkbox"/>	20	Wheels
	<input type="checkbox"/>	11	Electrical	<input type="checkbox"/>	21	Trailer hitch

<p>Dealer Distribution:</p> <p><input checked="" type="checkbox"/> Domestic</p> <p><input type="checkbox"/> International</p> <p><input type="checkbox"/> Both</p>



VERMEER PARTS CERTIFICATE

\$25.00 USD

REDEEM THIS CERTIFICATE
FOR CREDIT TOWARDS
ANY PARTS PURCHASED
AT YOUR LOCAL
VERMEER DEALERSHIP PARTS COUNTER

IK014413: DEUTZ ENGINE EMISSIONS

VERMEER MODEL: «MDL_CD»

VIN: «PRD_SRL»

Date Issued: <Date>, 2023

Date of Expiration: <Date>, 2025

VERMEER PRODUCT SAFETY DEPARTMENT

1210 Vermeer Road East
Pella IA 50219 USA

Toll Free: 800-829-0051, Ext. 7060

Telephone: 641-621.7060

Email: productsafety@vermeer.com

One Parts Certificate redeemable per VIN included in IK004413 for compensation for kit installation. No cash value. Redeemable by unit owner only at authorized Vermeer dealership in the U.S. Certificate expires two years from date of issue. © 2023 Vermeer Corporation. All Rights Reserved.

IK014413 REV ADDITIONAL UNITS

Model	Serial Number	Model	Serial Number	Model	Serial Number
BC1000XL	52431	BC1000XL	52544	BC1000XL	52716
BC1000XL	52432	BC1000XL	52545	BC1000XL	52717
BC1000XL	52433	BC1000XL	52572	BC1000XL	52718
BC1000XL	52434	BC1000XL	52573	BC1000XL	52719
BC1000XL	52435	BC1000XL	52575	BC1000XL	52720
BC1000XL	52436	BC1000XL	52576	BC1000XL	52723
BC1000XL	52437	BC1000XL	52578	BC1000XL	52724
BC1000XL	52438	BC1000XL	52580	BC1000XL	52725
BC1000XL	52440	BC1000XL	52582	BC1000XL	52736
BC1000XL	52478	BC1000XL	52584	BC1000XL	52738
BC1000XL	52479	BC1000XL	52586	BC1000XL	52739
BC1000XL	52480	BC1000XL	52587	BC1000XL	52740
BC1000XL	52481	BC1000XL	52588	BC1000XL	52751
BC1000XL	52482	BC1000XL	52589	BC1000XL	52752
BC1000XL	52483	BC1000XL	52590	BC1000XL	52753
BC1000XL	52484	BC1000XL	52591	BC1000XL	52754
BC1000XL	52485	BC1000XL	52609	BC1000XL	52755
BC1000XL	52486	BC1000XL	52646	BC1000XL	52756
BC1000XL	52487	BC1000XL	52647	BC1000XL	52757
BC1000XL	52488	BC1000XL	52648	BC1000XL	52758
BC1000XL	52489	BC1000XL	52649	BC1000XL	52759
BC1000XL	52490	BC1000XL	52650	BC1000XL	52760
BC1000XL	52491	BC1000XL	52652	BC1000XL	52771
BC1000XL	52492	BC1000XL	52653	BC1000XL	52772
BC1000XL	52494	BC1000XL	52654	BC1000XL	52773
BC1000XL	52495	BC1000XL	52655	BC1000XL	52774
BC1000XL	52526	BC1000XL	52667	BC1000XL	52779
BC1000XL	52531	BC1000XL	52668	BC1000XL	52937
BC1000XL	52532	BC1000XL	52669	BC1000XL	52938
BC1000XL	52533	BC1000XL	52670	BC1000XL	52939
BC1000XL	52534	BC1000XL	52673	BC1000XL	52940
BC1000XL	52535	BC1000XL	52674	BC1000XL	52941
BC1000XL	52536	BC1000XL	52697	BC1000XL	52942
BC1000XL	52537	BC1000XL	52698	BC1000XL	52943
BC1000XL	52538	BC1000XL	52700	BC1000XL	52944
BC1000XL	52539	BC1000XL	52701	BC1000XL	52945
BC1000XL	52540	BC1000XL	52702	BC1000XL	52946
BC1000XL	52541	BC1000XL	52703	BC1000XL	52947
BC1000XL	52542	BC1000XL	52704	BC1000XL	52948
BC1000XL	52543	BC1000XL	52705	BC1000XL	52949

IK014413 REV ADDITIONAL UNITS

Model	Serial Number	Model	Serial Number	Model	Serial Number
BC1000XL	52950	BC1000XL	53014	BC1000XL	53142
BC1000XL	52951	BC1000XL	53015	BC1000XL	53143
BC1000XL	52953	BC1000XL	53026	BC1000XL	53144
BC1000XL	52955	BC1000XL	53027	BC1000XL	53145
BC1000XL	52956	BC1000XL	53028	BC1000XL	53147
BC1000XL	52957	BC1000XL	53042	BC1000XL	53150
BC1000XL	52958	BC1000XL	53043	BC1000XL	53161
BC1000XL	52960	BC1000XL	53047	BC1000XL	53170
BC1000XL	52962	BC1000XL	53048	BC1000XL	53181
BC1000XL	52963	BC1000XL	53049	BC1000XL	53182
BC1000XL	52964	BC1000XL	53050	BC1000XL	53183
BC1000XL	52965	BC1000XL	53061	BC1000XL	53184
BC1000XL	52966	BC1000XL	53062	BC1000XL	53185
BC1000XL	52967	BC1000XL	53063	BC1000XL	53186
BC1000XL	52968	BC1000XL	53065	BC1000XL	53187
BC1000XL	52970	BC1000XL	53066	BC1000XL	53188
BC1000XL	52971	BC1000XL	53068	BC1000XL	53189
BC1000XL	52972	BC1000XL	53069	BC1000XL	53190
BC1000XL	52973	BC1000XL	53081	BC1000XL	53201
BC1000XL	52974	BC1000XL	53082	BC1000XL	53202
BC1000XL	52975	BC1000XL	53083	BC1000XL	53203
BC1000XL	52976	BC1000XL	53084	BC1000XL	53204
BC1000XL	52977	BC1000XL	53085	BC1000XL	53205
BC1000XL	52978	BC1000XL	53086	BC1000XL	53208
BC1000XL	52979	BC1000XL	53087	BC1000XL	53210
BC1000XL	52981	BC1000XL	53088	BC1000XL	53221
BC1000XL	52982	BC1000XL	53101	BC1000XL	53223
BC1000XL	52983	BC1000XL	53103	BC1000XL	53224
BC1000XL	52986	BC1000XL	53104	BC1000XL	53226
BC1000XL	52987	BC1000XL	53105	BC1000XL	53227
BC1000XL	52988	BC1000XL	53106	BC1000XL	53228
BC1000XL	52989	BC1000XL	53107	BC1000XL	53229
BC1000XL	52990	BC1000XL	53108	BC1000XL	53230
BC1000XL	52991	BC1000XL	53109	BC1000XL	53247
BC1000XL	53006	BC1000XL	53110	BC1000XL	53249
BC1000XL	53007	BC1000XL	53122	BC1000XL	53261
BC1000XL	53009	BC1000XL	53124	BC1000XL	53265
BC1000XL	53010	BC1000XL	53125	BC1000XL	53266
BC1000XL	53012	BC1000XL	53126	BC1000XL	53268
BC1000XL	53013	BC1000XL	53141	BC1000XL	53269

IK014413 REV ADDITIONAL UNITS

Model	Serial Number		Model	Serial Number		Model	Serial Number
BC1000XL	53270		BC1000XL	53309		BC1000XL	53349
BC1000XL	53281		BC1000XL	53321		BC1000XL	53350
BC1000XL	53282		BC1000XL	53325		BC1000XL	53361
BC1000XL	53283		BC1000XL	53329		BC1000XL	53362
BC1000XL	53288		BC1000XL	53330		BC1000XL	53363
BC1000XL	53289		BC1000XL	53341		BC1000XL	53364
BC1000XL	53290		BC1000XL	53342		BC1000XL	53365
BC1000XL	53303		BC1000XL	53343		BC1000XL	53366
BC1000XL	53304		BC1000XL	53344		BC1000XL	53370
BC1000XL	53305		BC1000XL	53345		BC1000XL	53403
BC1000XL	53306		BC1000XL	53346		BC1000XL	53404
BC1000XL	53307		BC1000XL	53347		BC1000XL	53425
BC1000XL	53308		BC1000XL	53348		BC1000XL	53426

AFFECTED MACHINES - IK024413

MODEL	SERIAL NUMBER	ENGINE SERIAL NUMBER	MODEL	SERIAL NUMBER	ENGINE SERIAL NUMBER
BC1000XL	52431	12885566	BC1000XL	52537	12818606
BC1000XL	52432	12884897	BC1000XL	52538	12828234
BC1000XL	52433	12884890	BC1000XL	52539	12818608
BC1000XL	52434	12884891	BC1000XL	52540	12818082
BC1000XL	52435	12885565	BC1000XL	52541	12799286
BC1000XL	52436	12885564	BC1000XL	52542	12799289
BC1000XL	52437	12884776	BC1000XL	52543	12818077
BC1000XL	52438	12885563	BC1000XL	52544	12803894
BC1000XL	52439	12884774	BC1000XL	52545	12818080
BC1000XL	52440	12884894	BC1000XL	52572	12818081
BC1000XL	52477	12818616	BC1000XL	52573	12818617
BC1000XL	52478	12800188	BC1000XL	52575	12818601
BC1000XL	52479	12803895	BC1000XL	52576	12799294
BC1000XL	52480	12818084	BC1000XL	52577	12799287
BC1000XL	52481	12800187	BC1000XL	52578	12799292
BC1000XL	52482	12800384	BC1000XL	52579	12818610
BC1000XL	52483	12803896	BC1000XL	52580	12818086
BC1000XL	52484	12804683	BC1000XL	52581	12828239
BC1000XL	52485	12818603	BC1000XL	52582	12804686
BC1000XL	52486	12808266	BC1000XL	52583	12828238
BC1000XL	52487	12799291	BC1000XL	52584	12815716
BC1000XL	52488	12804684	BC1000XL	52585	12818605
BC1000XL	52489	12795994	BC1000XL	52586	12799288
BC1000XL	52490	12818612	BC1000XL	52587	12828235
BC1000XL	52491	12800189	BC1000XL	52588	12818618
BC1000XL	52492	12799293	BC1000XL	52589	12803893
BC1000XL	52493	12800386	BC1000XL	52590	12800387
BC1000XL	52494	12799290	BC1000XL	52591	12803891
BC1000XL	52495	12800186	BC1000XL	52606	12803897
BC1000XL	52496	12818609	BC1000XL	52607	12795997
BC1000XL	52526	12818602	BC1000XL	52608	12800385
BC1000XL	52527	12818597	BC1000XL	52609	12804685
BC1000XL	52528	12804690	BC1000XL	52610	12815723
BC1000XL	52529	12795996	BC1000XL	52646	12818599
BC1000XL	52531	12803890	BC1000XL	52647	12818596
BC1000XL	52532	12818600	BC1000XL	52648	12790718
BC1000XL	52533	12818604	BC1000XL	52649	12818085
BC1000XL	52534	12804691	BC1000XL	52650	12818619
BC1000XL	52535	12818613	BC1000XL	52652	12787053
BC1000XL	52536	12818083	BC1000XL	52653	12804688

AFFECTED MACHINES - IK024413

MODEL	SERIAL NUMBER	ENGINE SERIAL NUMBER	MODEL	SERIAL NUMBER	ENGINE SERIAL NUMBER
BC1000XL	52654	12828241	BC1000XL	52758	12932601
BC1000XL	52655	12815715	BC1000XL	52759	12932598
BC1000XL	52667	12815713	BC1000XL	52760	12932163
BC1000XL	52668	12790717	BC1000XL	52771	12932603
BC1000XL	52669	12790725	BC1000XL	52772	12828236
BC1000XL	52670	12818078	BC1000XL	52773	12815722
BC1000XL	52672	12815717	BC1000XL	52774	12932604
BC1000XL	52673	12790721	BC1000XL	52775	12932151
BC1000XL	52674	12777350	BC1000XL	52776	12815725
BC1000XL	52675	12790723	BC1000XL	52777	12932602
BC1000XL	52696	12815720	BC1000XL	52778	12932599
BC1000XL	52697	12815726	BC1000XL	52779	12812026
BC1000XL	52698	12815718	BC1000XL	52780	12932600
BC1000XL	52699	12790722	BC1000XL	52937	12872214
BC1000XL	52700	12808267	BC1000XL	52938	12872205
BC1000XL	52701	12790720	BC1000XL	52939	12872204
BC1000XL	52702	12925415	BC1000XL	52940	12818087
BC1000XL	52703	12815712	BC1000XL	52941	12872208
BC1000XL	52704	12828242	BC1000XL	52942	12884780
BC1000XL	52705	12818598	BC1000XL	52943	12804687
BC1000XL	52716	12828240	BC1000XL	52944	12872209
BC1000XL	52717	12818607	BC1000XL	52945	12872211
BC1000XL	52718	12815721	BC1000XL	52946	12872207
BC1000XL	52719	12818079	BC1000XL	52947	12818615
BC1000XL	52720	12815724	BC1000XL	52948	12828237
BC1000XL	52721	12932162	BC1000XL	52949	12884889
BC1000XL	52722	12815714	BC1000XL	52950	12932153
BC1000XL	52723	12790719	BC1000XL	52951	12884782
BC1000XL	52724	12818614	BC1000XL	52953	12932158
BC1000XL	52725	12932155	BC1000XL	52955	12872212
BC1000XL	52736	12932595	BC1000XL	52956	12945673
BC1000XL	52738	12932161	BC1000XL	52957	12872206
BC1000XL	52739	12932592	BC1000XL	52958	12932150
BC1000XL	52740	12932154	BC1000XL	52960	12945670
BC1000XL	52752	12932593	BC1000XL	52962	12808265
BC1000XL	52753	12932597	BC1000XL	52963	12945667
BC1000XL	52754	12932159	BC1000XL	52964	12945669
BC1000XL	52755	12932594	BC1000XL	52965	12945674
BC1000XL	52756	12932157	BC1000XL	52966	12884896
BC1000XL	52757	12931400	BC1000XL	52967	12884892

AFFECTED MACHINES - IK024413

MODEL	SERIAL NUMBER	ENGINE SERIAL NUMBER	MODEL	SERIAL NUMBER	ENGINE SERIAL NUMBER
BC1000XL	52968	12932152	BC1000XL	53029	12850026
BC1000XL	52970	12884893	BC1000XL	53030	12846986
BC1000XL	52971	12884784	BC1000XL	53041	12950870
BC1000XL	52972	12932164	BC1000XL	53042	12950872
BC1000XL	52973	12945671	BC1000XL	53043	12849196
BC1000XL	52974	12872210	BC1000XL	53044	12884783
BC1000XL	52975	12872213	BC1000XL	53045	12951689
BC1000XL	52976	12945672	BC1000XL	53046	12950876
BC1000XL	52977	12846983	BC1000XL	53047	12950874
BC1000XL	52978	12950871	BC1000XL	53048	12884781
BC1000XL	52979	12950873	BC1000XL	53049	12846981
BC1000XL	52980	12885560	BC1000XL	53050	12951683
BC1000XL	52981	12932160	BC1000XL	53061	12849194
BC1000XL	52982	12884778	BC1000XL	53062	12846984
BC1000XL	52983	12846982	BC1000XL	53063	12884895
BC1000XL	52984	12885559	BC1000XL	53064	12932156
BC1000XL	52985	12846985	BC1000XL	53065	12957166
BC1000XL	52986	12850027	BC1000XL	53066	12957169
BC1000XL	52987	12849199	BC1000XL	53067	12957167
BC1000XL	52988	12850024	BC1000XL	53068	12960984
BC1000XL	52989	12849198	BC1000XL	53069	12960970
BC1000XL	52990	12849200	BC1000XL	53070	12960978
BC1000XL	52991	12850030	BC1000XL	53081	12960988
BC1000XL	52992	12885561	BC1000XL	53082	12960986
BC1000XL	52993	12884775	BC1000XL	53083	12960990
BC1000XL	52994	12849201	BC1000XL	53084	12957172
BC1000XL	52995	12885562	BC1000XL	53085	12957173
BC1000XL	53006	12850028	BC1000XL	53086	12804689
BC1000XL	53007	12850023	BC1000XL	53087	12951687
BC1000XL	53008	12849197	BC1000XL	53088	12960998
BC1000XL	53009	12884777	BC1000XL	53089	12954785
BC1000XL	53010	12884779	BC1000XL	53090	12960996
BC1000XL	53011	12850022	BC1000XL	53101	12960972
BC1000XL	53012	12850025	BC1000XL	53102	12960976
BC1000XL	53013	12849195	BC1000XL	53103	12960982
BC1000XL	53014	12849193	BC1000XL	53104	12957175
BC1000XL	53015	12850029	BC1000XL	53105	12957176
BC1000XL	53026	12951685	BC1000XL	53106	12957174
BC1000XL	53027	12950875	BC1000XL	53107	12960974
BC1000XL	53028	12951686	BC1000XL	53108	12960973

AFFECTED MACHINES - IK024413

MODEL	SERIAL NUMBER	ENGINE SERIAL NUMBER	MODEL	SERIAL NUMBER	ENGINE SERIAL NUMBER
BC1000XL	53109	12960980	BC1000XL	53210	12966277
BC1000XL	53110	12957183	BC1000XL	53221	12966629
BC1000XL	53122	12957184	BC1000XL	53222	12966634
BC1000XL	53123	12957177	BC1000XL	53223	12966632
BC1000XL	53124	12957179	BC1000XL	53224	12965669
BC1000XL	53125	12960994	BC1000XL	53225	12965670
BC1000XL	53126	12960992	BC1000XL	53226	12965668
BC1000XL	53127	12960997	BC1000XL	53227	12951684
BC1000XL	53141	12957170	BC1000XL	53228	12960985
BC1000XL	53142	12957171	BC1000XL	53229	12960991
BC1000XL	53143	12957168	BC1000XL	53230	12960995
BC1000XL	53144	12960989	BC1000XL	53247	12966637
BC1000XL	53145	12960987	BC1000XL	53248	12966628
BC1000XL	53146	12960993	BC1000XL	53249	12967540
BC1000XL	53147	12960979	BC1000XL	53250	12967533
BC1000XL	53148	12960981	BC1000XL	53261	12836808
BC1000XL	53149	12960977	BC1000XL	53265	12966648
BC1000XL	53150	12951688	BC1000XL	53266	12966649
BC1000XL	53161	12960975	BC1000XL	53268	12966285
BC1000XL	53162	12960983	BC1000XL	53269	12966276
BC1000XL	53163	12960971	BC1000XL	53270	12967034
BC1000XL	53170	12957178	BC1000XL	53281	12967537
BC1000XL	53181	12957180	BC1000XL	53282	12967033
BC1000XL	53182	12957182	BC1000XL	53283	12966624
BC1000XL	53183	12965665	BC1000XL	53284	12966626
BC1000XL	53184	12965671	BC1000XL	53288	12967530
BC1000XL	53185	12965661	BC1000XL	53289	12967532
BC1000XL	53186	12965660	BC1000XL	53290	12967538
BC1000XL	53187	12965666	BC1000XL	53301	12967529
BC1000XL	53188	12965662	BC1000XL	53302	12967535
BC1000XL	53189	12966645	BC1000XL	53303	12967541
BC1000XL	53190	12966627	BC1000XL	53304	12967542
BC1000XL	53201	12966630	BC1000XL	53305	12967528
BC1000XL	53202	12966633	BC1000XL	53306	12967531
BC1000XL	53203	12966636	BC1000XL	53307	12965674
BC1000XL	53204	12966646	BC1000XL	53308	12965673
BC1000XL	53205	12966281	BC1000XL	53309	12965672
BC1000XL	53207	12966280	BC1000XL	53310	12967026
BC1000XL	53208	12966283	BC1000XL	53321	12967025
BC1000XL	53209	12966282	BC1000XL	53322	12967031

AFFECTED MACHINES - IK024413

MODEL	SERIAL NUMBER	ENGINE SERIAL NUMBER		MODEL	SERIAL NUMBER	ENGINE SERIAL NUMBER
BC1000XL	53323	12967534		BC1000XL	53350	12965664
BC1000XL	53324	12967536		BC1000XL	53361	12966640
BC1000XL	53325	12967539		BC1000XL	53362	12966631
BC1000XL	53329	12967024		BC1000XL	53363	12966625
BC1000XL	53330	12967029		BC1000XL	53364	12966644
BC1000XL	53341	12967035		BC1000XL	53365	12966642
BC1000XL	53342	12967023		BC1000XL	53366	12966638
BC1000XL	53343	12967032		BC1000XL	53370	12966284
BC1000XL	53344	12967036		BC1000XL	53381	12950868
BC1000XL	53345	12967030		BC1000XL	53403	12966641
BC1000XL	53346	12967028		BC1000XL	53404	12966635
BC1000XL	53347	12967027		BC1000XL	53405	12966650
BC1000XL	53348	12965663		BC1000XL	53424	12966639
BC1000XL	53349	12965667		BC1000XL	53425	12966647
				BC1000XL	53426	12966643



IK01
SAMPLE
OWNER
LETTER



PRODUCT
COMPLIANCE

First Notice
Deutz Engine Emissions
Label Kit
(IK004413)

Product Compliance Department
Vermeer Corporation
1210 Vermeer Rd East
Pella, Iowa 50219 USA
productsafety@vermeer.com

November 30, 2023

Dear «MODEL» owner:

Model: «Model»

Serial #: «SerialN»

According to our records, you currently own a Vermeer BC1000XL brush chipper. The model and serial number are shown at the top center of this letter.

ENGINE EMISSIONS CONTROL INFORMATION LABELS PROVIDED WITH MISSING OR INCORRECT INFORMATION

Engine Emissions Control Information (ECI) labels provided by Deutz AG applied to G2.9 gasoline engines installed in affected machines may have contained misprints or incorrect label language that is not part of the applicable regulatory content in the U.S. and Canada.

Example photo of an engine Emission Control Information (ECI) label is shown to the right.



IMMEDIATE MACHINE MODIFICATIONS REQUIRED

IK004413 has been created to provide corrected engine ECI labels and instructions for their installation. **This kit must be installed as soon as possible, including submission of required information as set forth in the kit instructions.**

When the engine ECI inspection form is returned to product safety, each machine's iWarranty campaign record will be updated as shown below. If a dealer is the machine owner, please also complete and submit the ECI label inspection form to safetyform@vermeer.com.



PRODUCT COMPLIANCE

First Notice Deutz Engine Emissions Label Kit (IK004413)

Model: «Model»

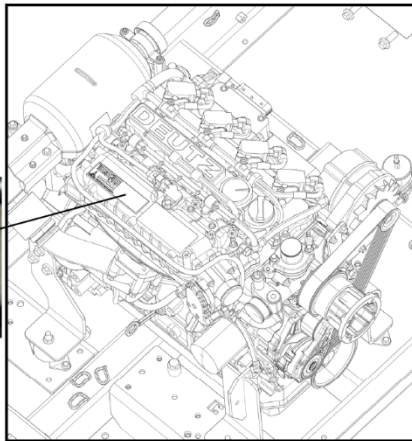
Serial #: «SerialN»

Update any of the above machine owner information as needed.

Take a clear picture of the ECI label.

Engine serial number
(located on the ECI label)

1.




2. Complete machine owner information below.
3. Email completed form with picture of the ECI label to: safetyform@vermeer.com
4. Contact Vermeer dealer immediately. The Vermeer dealer contact information is contained in the letter mailed with this report.

Contact name:		
Contact email:		
Company:	«OWNER_COMPANY»	
Address:	«OWNER_Add1» «OWNER_Addr2»	
City, state/province, postal code, country:	«OWNER_City» «OWNER_St» «OWNER_Zip» «Owner_Full_Country»	
Completed by:	X	
	Print name:	Date



Product Compliance Department
 Vermeer Corporation
 1210 Vermeer Rd East
 Pella, Iowa 50219 USA
 productsafety@vermeer.com

IK02
 SAMPLE
 OWNER
 LETTER



PRODUCT COMPLIANCE

First Notice

Deutz Engine Emissions Label Kit (IK004413 REV)

Model: «Model»

Serial #: «SerialN»

November 30, 2023

Dear «MODEL» owner:

According to our records, you currently own a Vermeer BC1000XL brush chipper. The model and serial number are shown at the top center of this letter.

ENGINE EMISSIONS CONTROL INFORMATION LABELS PROVIDED WITH MISSING OR INCORRECT INFORMATION

Engine Emissions Control Information (ECI) labels provided by Deutz AG applied to G2.9 gasoline engines installed in affected machines may have contained misprints or incorrect label language that is not part of the applicable regulatory content in the U.S. and Canada.

Example photo of an engine Emission Control Information (ECI) label is shown to the right.



IMMEDIATE MACHINE MODIFICATIONS REQUIRED

IK004413 has been created to provide corrected engine ECI labels and instructions for their installation. **This kit must be installed as soon as possible, including submission of required information as set forth in the kit instructions.**

Please contact your authorized, independent Vermeer dealer immediately to arrange a mutually acceptable time and location to install IK004413 at no cost to you for labor or materials. If the Vermeer dealer travels to the unit to install the kit, costs may be incurred by the owner. **You must have your machine upgraded to ensure product compliance.**

Contact your local Vermeer dealer: «Service_Dealer_Name»
 «Serv_Dealer_Add1» «Serv_Dealer_Add2»
 «Serv_Dealer_City» «Serv_Dealer_St» «Serv_Dealer_Zip»
 «SERV_DEALER_COUNTRY»

Telephone: «Serv_Dealer_Phone»

If you no longer own this unit, please notify the product safety and compliance department at:

Toll-free: 800-829-0051, option 1
Telephone: 641-621-7060
Email: productsafety@vermeer.com

If possible, please provide the name and address of the new owner.

We regret any inconvenience these corrective measures may cause you. The required work is to ensure your machine is in compliance with applicable environmental regulations.


Regards,

PRODUCT COMPLIANCE DEPARTMENT



Product Compliance Department
 Vermeer Corporation
 1210 Vermeer Rd East
 Pella, Iowa 50219 USA
productsafety@vermeer.com

IK01
 SAMPLE
 OWNER
 LETTER 2



PRODUCT COMPLIANCE

First Notice

Deutz Engine Emissions Label Kit (IK004413 Rev)

Model: «Model»

Serial #: «SerialN»

July 16, 2024

Dear BC1000XL owner:

According to our records, you currently own a Vermeer BC1000XL brush chipper. The model and serial number are shown at the top center of this letter.

ENGINE EMISSIONS CONTROL INFORMATION LABELS PROVIDED WITH MISSING OR INCORRECT INFORMATION

Engine Emissions Control Information (ECI) labels provided by Deutz AG applied to G2.9 gasoline engines installed in affected machines may have contained misprints or incorrect label language that is not part of the applicable regulatory content in the U.S. and Canada.

Example photo of an engine Emission Control Information (ECI) label is shown to the right.



IMMEDIATE MACHINE MODIFICATIONS REQUIRED

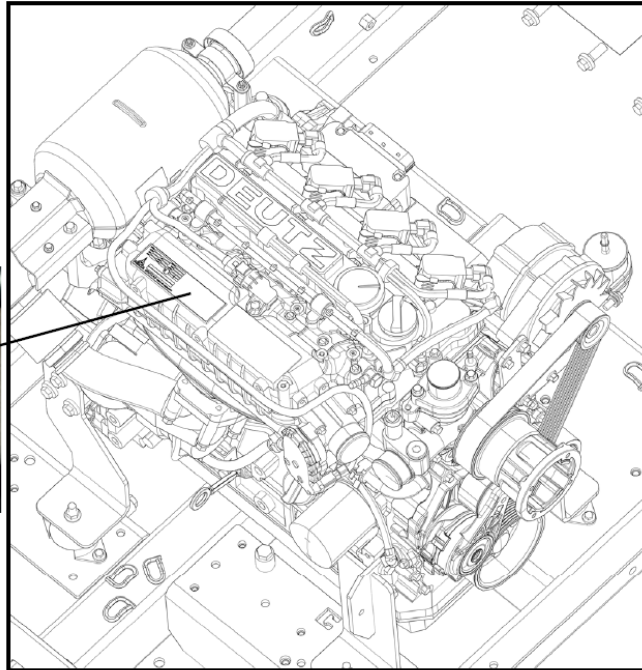
IK004413 has been created to provide corrected engine ECI labels and instructions for their installation. **This kit must be installed as soon as possible, including submission of required information as set forth in the kit instructions.**

When the engine ECI inspection from is returned to product safety, each machine's iWarranty campaign record will be updated as shown below. If a dealer is the machine owner, please also complete and submit the ECI label inspection form to safetyform@vermeer.com.

What you should do:

ECI label inspection procedure for IK014413:

3. Locate ECI label on air intake manifold on top of engine.



4. Take a picture of the ECI label
 - c. Email the picture with the completed ECI label inspection form to safetyform@vermeer.com to receive \$25.00 parts credit certificate, and for Vermeer to update records.
 - d. Contact your local Vermeer dealer immediately to make arrangements to get IK024413 installed.

Please contact your authorized, independent Vermeer dealer immediately once you have submitted a picture and the completed ECI label inspection form to safetyform@vermeer.com, to arrange a mutually acceptable time and location to install IK024413 at no cost to you for labor or materials. If the Vermeer dealer travels to the unit to install the kit, costs may be incurred by the owner. **You must have your machine upgraded to ensure product compliance.**

Contact your local Vermeer dealer:	«Service_Dealer_Name» «Serv_Dealer_Add1» «Serv_Dealer_Add2» «Serv_Dealer_City» «Serv_Dealer_St» «Serv_Dealer_Zip» «SERV_DEALER_COUNTRY»
Telephone:	«Serv_Dealer_Phone»

If you no longer own this unit, please notify the product safety and compliance department at:

Toll-free: 800-829-0051, option 1
Telephone: 641-621-7060
Email: productsafety@vermeer.com

If possible, please provide the name and address of the new owner.

We regret any inconvenience these corrective measures may cause you. The required work is to ensure your machine is in compliance with applicable environmental regulations.

Regards,
PRODUCT COMPLIANCE DEPARTMENT



PRODUCT COMPLIANCE

First Notice Deutz Engine Emissions Label Kit (IK004413 Rev)

Model: «Model»

Serial #: «SerialN»

ENGINE EMISSION CONTROL INFORMATION (ECI) INSPECTION FORM

1. Who completed the inspection?

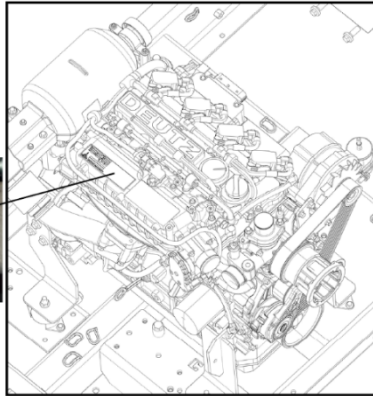
Machine owner

Dealer

Take a clear picture of the ECI label.

Engine serial number
(located on the ECI label)

2.



3. Complete machine owner information below.

4. Email completed form with picture of the ECI label to: safetyform@vermeer.com

5. Contact Vermeer dealer immediately. The Vermeer dealer contact information is contained in the letter mailed with this report.

Contact name:

Contact email:

Company:

«OWNER_COMPANY»

Address:

«OWNER_Add1» «OWNER_Addr2»

City, state/province,
postal code, country:

«OWNER_City» «OWNER_St» «OWNER_Zip» «Owner_Full_Country»

Completed by:

X

Print name:

Date

Update any of the above machine owner information as needed.