

<b>REFERENCE:</b>	<b>TSB:</b> 03-005-24 <b>GROUP:</b> 03 - Differential and Driveline	<b>Date:</b>	June 28, 2024	<b>REVISION:</b>	—
<b>VEHICLES AFFECTED:</b>	<b>2024 - 2025 (JL) Jeep Wrangler</b> This bulletin applies to vehicles built on or before March 25, 2024 (MDH 0325XX) equipped with the Dana M220 Wide Full Floating RR Axle (Sales Code DRN).			<b>MARKET APPLICABILITY:</b>	
				<input checked="" type="checkbox"/> NA	<input checked="" type="checkbox"/> MEA
				<input checked="" type="checkbox"/> SA	<input checked="" type="checkbox"/> IAP
				<input type="checkbox"/> EE	<input checked="" type="checkbox"/> CH
<b>CUSTOMER SYMPTOM:</b>	<b>Customers may experience the following:</b> <ul style="list-style-type: none"> <li>Intermittent grinding, screeching, ratcheting noise coming from the right hand side of vehicle on the rear axle.</li> </ul>				
<b>CAUSE:</b>	<b>Lack of lubrication</b>				

**REPAIR SUMMARY:**

This bulletin involves cleaning and lubricating the axle shaft and hub splines.

**CLAIMS DATA:**

Labor Operation No:	Labor Description	Skill Category	Labor Time
03-20-01-98	Shaft, Right Rear Axle, Clean and Lubricate (2 - Skilled)	3 - Differential and Drive-line	0.6 Hrs.
Failure Code	ZZ	Service Action	

**SPARE PARTS:**

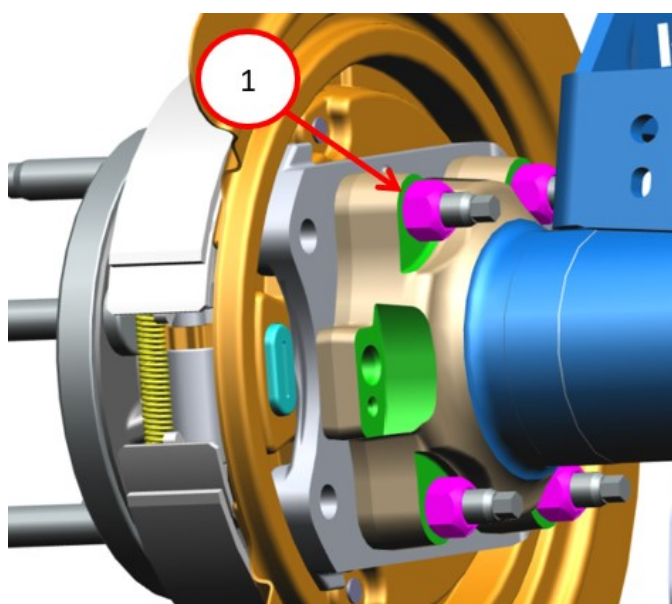
Qty	Part No.	Description	Notes
1 (AR)	05083150AA	Mopar® Wheel Bearing Grease	1/100 of the 14.5 ounce cartridge.
4 (AR)	68003275AA	Hex Flange Lock Nut	Tube flange to hub unit nut.
1 (AR)	68651258AA	O-Ring	Wheel Hub Bearing

**DIAGNOSIS:**

If the customer describes any of the symptoms listed above in the customer symptom section, perform the Repair Procedure.

**REPAIR PROCEDURE:**

1. Remove the brake caliper and rotor. Refer to the detailed service procedures available in DealerCONNECT/Service Library under: Service Info> Refer to 05 - Brakes, Base/Hydraulic/Mechanical/ Rotor, Brake/Removal.
2. Remove the wheel speed sensor from the tube assembly. Refer to the detailed service procedures available in DealerCONNECT/Service Library under: Service Info> Refer to 05 - Brakes, ABS/Electrical/ Sensor, Wheel Speed, Rear/Removal.
3. Disconnect the parking brake cable from the parking brake actuator at the backing plate.
4. Remove and **DISCARD** the four hub nuts [Fig. 1](#).



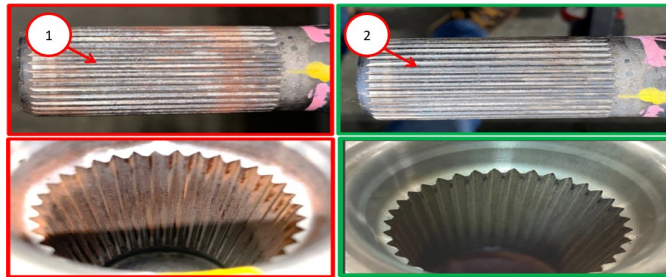
**Fig. 1**  
Hub Nuts

5. Use a pry bar to pry between the upper control arm bracket and the hub stud end to extract the hub from the tube assembly.
6. Remove the axle shaft, hub and bearing assembly with backing plate from the axle housing.

**NOTE: Inspect the O-ring for damage and replace if needed.**

7. Remove the axle shaft from the hub.

8. Using brake cleaner and a wire brush, clean both the interface of the shaft splines and hub splines to remove any of the “fretting/corrosion” seen on those splines [Fig. 2](#).



**Fig. 2**  
Axle Shaft Splines / Hub Splines

- 1 - Axle Shaft / Hub Splines Prior To Cleaning  
2 - Axle Shaft / Hub Splines After Cleaning

**NOTE: After cleaning the interface use forced air to remove any remaining debris on interface.**

9. Use wheel bearing grease to lubricate both the hub splines and the axle shaft splines. Ensure to coat the whole surface of the spline interface on the shaft and hub [Fig. 3](#).

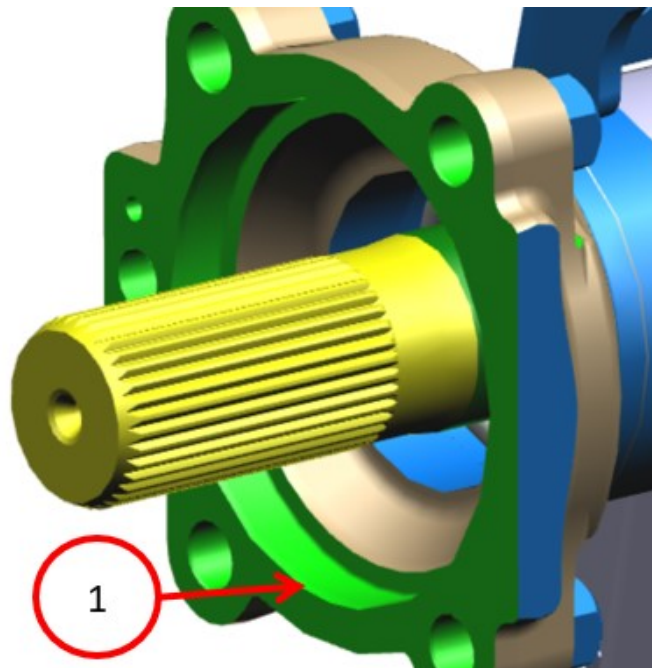


**Fig. 3**  
Lubricated Axle Shaft / Hub splines

10. Install the axle shaft into the hub by hand until it bottoms out.

**NOTE: Air may purge through the shaft splines at any time throughout the shaft installation process.**

11. Lubricate the tube flange inside diameter with 75-85W sump lube as this aids in O-ring guidance [Fig. 4](#).



**Fig. 4**  
Tube Flange Diameter To Lubricate

- 1 - Apply lubricant to the tube flange surface.

12. Install the axle shaft, hub and bearing assembly with backing plate onto the shaft then into the tube aligning the four hub studs ensuring the wheel speed sensor hole in the backing plate aligns with the wheel speed sensor hole / pad on the tube assembly.
13. Install four **NEW** hub nuts [Fig. 1](#).
14. Connect the parking brake cable from the parking brake actuator at the backing plate.
15. Install the wheel speed sensor from the hub. Refer to the detailed service procedures available in DealerCONNECT/Service Library under: Service Info> Refer to 05 - Brakes, ABS/Electrical/Sensor, Wheel Speed, Rear/Installation.
16. Install the brake caliper and rotor. Refer to the detailed service procedures available in DealerCONNECT/Service Library under: Service Info> Refer to 05 - Brakes, Base/Hydraulic/Mechanical/Rotor, Brake/Installation.

## **POLICY:**

Reimbursable within the provisions of the warranty.

*This bulletin is supplied as technical information only and is not an authorization for repair. No part of this publication may be reproduced, stored in a retrieval system, or transmitted, in any form or by any means, electronic, mechanical, photocopying, or otherwise, without written permission of FCA US LLC.*