

Low Power Mode and MIL Flashes with No DTCs Stored

AFFECTED VEHICLES

Year	Model	Trim Level	VIN Range
2018–24	Odyssey	ALL	ALL
2019–24	Passport	ALL	ALL
2017–24	Ridgeline	ALL	ALL
2016–22	Pilot	ALL	ALL

SYMPTOM

MIL flashes and vehicle will not accelerate, low power. After cycling the ignition, the symptom does not return with no stored DTCs. This issue is more common in regions with cold weather (specifically near or below freezing temperatures). Usually after a long drive (around 2 hours) and accelerating while cornering.

POSSIBLE CAUSE

Moisture accumulation in the intake manifold during long drives gets drawn into the combustion chamber while cornering, causing misfires.

CORRECTIVE ACTION

Replace intake manifold, insulator and PCV hose.

CUSTOMER INFORMATION: The information in this bulletin is intended for use only by skilled technicians who have the proper tools, equipment, and training to correctly and safely maintain your vehicle. These procedures should not be attempted by “do-it-yourselfers,” and you should not assume this bulletin applies to your vehicle, or that your vehicle has the condition described. To determine whether this information applies, contact an authorized Honda automobile dealer.

PARTS INFORMATION

Odyssey

Part Name	Part Number	Quantity
Intake Manifold Kit (includes intake manifold, PCV hose, and manifold insulator)	06170-5MR-305	1
O-RING (Map Sensor)	37835-PGK-A01	2
GASKET, THROTTLE BODY	17102-RLV-A01	1
GASKET A, EGR PIPE	18716-RB0-G01	1
SEAL, EGR	17103-RLV-A01	2
GASKET, IN. MANIFOLD	17101-RLV-A01	6

Passport

Part Name	Part Number	Quantity
Intake Manifold Kit (includes intake manifold, PCV hose, and manifold insulator)	06170-5MR-305	1
O-RING (Map Sensor)	37835-PGK-A01	2
GASKET, THROTTLE BODY	17102-RLV-A01	1
GASKET A, EGR PIPE	18716-RB0-G01	1
SEAL, EGR	17103-RLV-A01	2
GASKET, IN. MANIFOLD	17101-RLV-A01	6

Ridgeline

Part Name	Part Number	Quantity
Intake Manifold Kit (includes intake manifold, PCV hose, and manifold insulator)	06170-RLV-305	1
O-RING (Map Sensor)	37835-PGK-A01	2
GASKET, THROTTLE BODY	17102-RLV-A01	1
GASKET A, EGR PIPE	18716-RB0-G01	1
SEAL, EGR (FRG-NOK)	17103-RLV-A01	2
GASKET, IN. MANIFOLD	17101-RLV-A01	6

Pilot

Part Name	Part Number	Quantity
Intake Manifold Kit (includes intake manifold, PCV hose, and manifold insulator)	06170-RLV-305	1
O-RING (Map Sensor)	37835-PGK-A01	2
GASKET, THROTTLE BODY	17102-RLV-A01	1
GASKET A, EGR PIPE	18716-RB0-G01	1
SEAL, EGR	17103-RLV-A01	2
GASKET, IN. MANIFOLD	17101-RLV-A01	6

WARRANTY CLAIM INFORMATION

The normal warranty applies.

2018–24 Odyssey

Operation Number	Description	Flat Rate Time	Defect Code	Symptom Code	Template ID	Failed Part Number
1111C0	Replace the intake manifold and PCV hose	0.7 hr	07601	03217	A24085A	17160-5MR-A00
1111C0D	DTC Check-Add	0.1 hr				

2019–24 Passport

Operation Number	Description	Flat Rate Time	Defect Code	Symptom Code	Template ID	Failed Part Number
1111C0	Replace the intake manifold and PCV hose	0.8 hr	07601	03217	A24085B	17160-5MR-A00
1111C0D	DTC Check-Add	0.1 hr				

2016–22 Pilot and 2017–24 Ridgeline

Operation Number	Description	Flat Rate Time	Defect Code	Symptom Code	Template ID	Failed Part Number
1111C0	Replace the intake manifold and PCV hose	0.8 hr	07601	03217	A24085C	17160-RLV-A00
1111C0D	DTC Check-Add	0.1 hr				

Skill Level: Repair Technician

REPAIR PROCEDURE

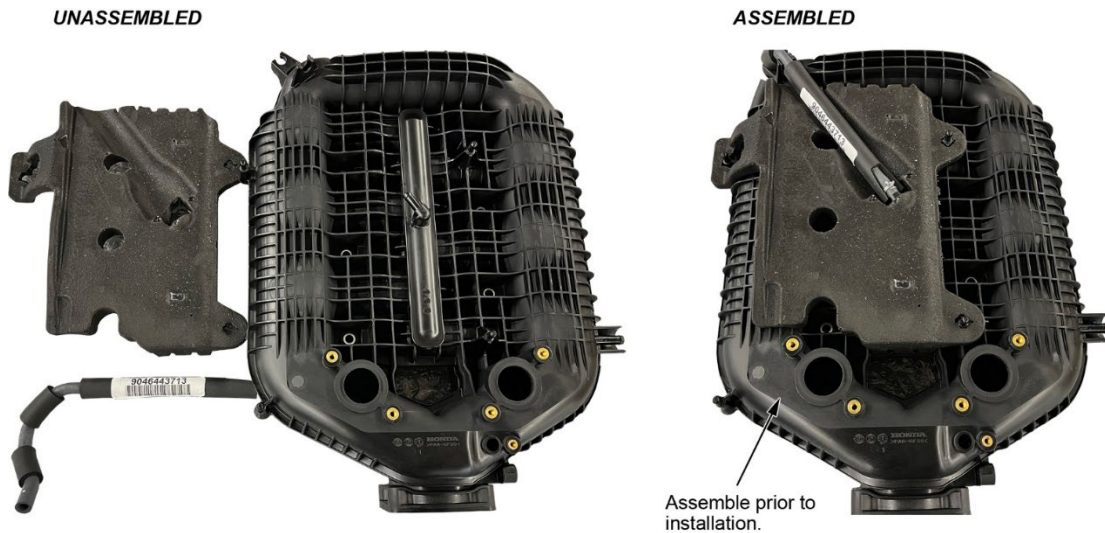
1. Connect the i-HDS to the DLC and check for any existing DTCs.

NOTE: For any existing DTCs, continue with normal troubleshooting.

2. Remove the intake manifold.

- 2018–2024 Odyssey, Steps 1–8 Intake Manifold Removal and Installation, [\(CLICK HERE\)](#)
- 2019–2024 Passport, Steps 1–8 Intake Manifold Removal and Installation, [\(CLICK HERE\)](#)
- 2017–2024 Ridgeline:
 - 2017–2019 Ridgeline, Steps 1–8 Intake Manifold Removal and Installation, [\(CLICK HERE\)](#)
 - 2020–2024 Ridgeline, Steps 1–8 Intake Manifold Removal and Installation, [\(CLICK HERE\)](#)
- 2016–2022 Pilot:
 - 2016–2022 Intake Manifold Removal and Installation (6-Speed A/T, '16–'18 9-Speed A/T) [\(CLICK HERE\)](#)
 - 2016–2022 Intake Manifold Removal and Installation ('19–'22 9-Speed A/T) [\(CLICK HERE\)](#)

3. Install the new intake manifold, new insulator, and the new PCV hose.



4. Install the remaining parts in reverse order.

5. Do the PCM Reset and PCM Idle Learn.

- 2018–2024 Odyssey, Steps 1–3 PCM Reset, [\(CLICK HERE\)](#)
- 2019–2024 Passport, Steps 1–3 PCM Reset, [\(CLICK HERE\)](#)
- 2017–2024 Ridgeline, Steps 1–3 PCM Reset, [\(CLICK HERE\)](#)
- 2016–2022 Pilot, Steps 1–3 PCM Reset, [\(CLICK HERE\)](#)