

Circular Letter

FROM: Maserati TSO
TO: Maserati Network



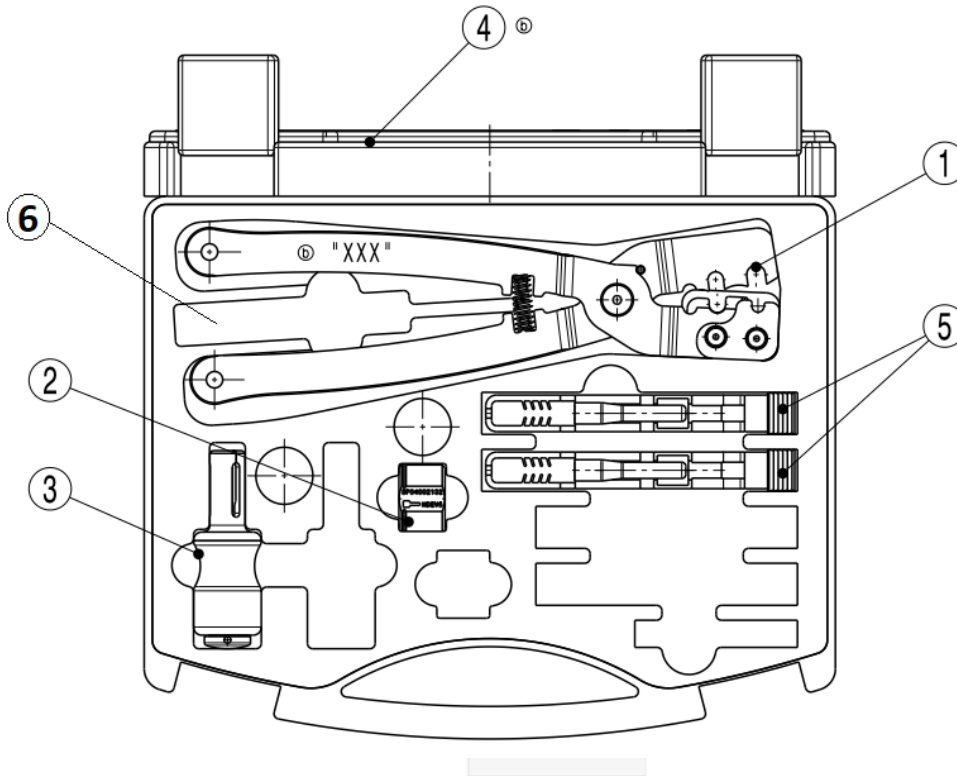
MASTERS OF CARE

HDEV5 injector O-ring replacement kit

DATE: June 24, 2024

Dear Sirs,

Due to technical requirements, Maserati has introduced an HDEV5 injector O-ring replacement kit (PN 900100008) to guarantee the best possible quality for the success of the corresponding replacement operation. This tool makes it possible to replace the individual injectors of the V6 and V8 engines of the Ghibli, Quattroporte and Levante, avoiding complete rail replacement, for the first time in a procedure. In particular, the tool you will receive will consist of the following case:



The kit consists of:

- 1- O-ring cutting pliers
- 2- HDEV5 calibrated spacer
- 3- HDEV5 O-ring insertion knob
- 4- Hard plastic case
- 5- HDEV5 O-ring fitter
- 6- O-ring removal hook

The new tool is currently available in Maserati warehouses.

The tool will be mandatory and will be provided to you automatically. It will be included in the Special Tools Catalogue in ModisCS+ and in the workshop manual section with the corresponding procedure.

Do not hesitate to contact us for any doubt or question.

Best regards,

TECHNICAL SERVICE OPERATIONS

