



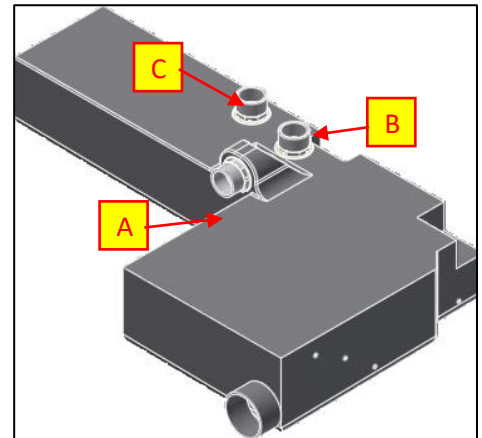
Grey Tank Replacement

Bulletin Type:	SRP	Publication Date:	June 2024
Bulletin #(s):	24-011	Make(s):	Jayco, Entegra Coach
Job Code(s):	<i>If affected unit has warranty remaining, submit your claim following the normal process</i>	Model(s):	Swift/Swift LI (20T/20TL) Ethos/Ethos LI (20T/20TL)
Flat Rate(s):		Model Year(s):	2021-2024

Incident:	Damage to grey tank caused by suspension bolt
Affected Units:	2021-2024 Jayco Swift, Swift LI; 2021-2024 Entegra Coach Ethos, Ethos LI
Parts List:	<p><u>Tank Prep Parts</u></p> <ul style="list-style-type: none"> • 1 - TANK, HLDG GREY (2027351) • 1 - PAD, HTR TK 12V 6.00X25.00 SADH (0083632) • 1 - ADHESIVE,POLYS BS7200 (Purchase Locally) • 3 - FITTING, 1.50 SPIN-IN FEMALE PIPE THREAD FLUSH HOLDING TANK (0206083) • 3 - ADAPTER, 1.50MPT PVC WHT (0052957) • 1 – Isopropyl Alcohol (Shop Supplies) <p><u>Lav Sink Connection</u></p> <ul style="list-style-type: none"> • 1 - PIPE, 1 1/2 X 2 (4007711) (Purchase Locally) • 1 - COUPLING,1.5HX1.5H ABS BLK*AW (0012825) <p><u>Vent Pipe Connection</u></p> <ul style="list-style-type: none"> • 1 - PIPE, 1 1/2 X 4 ¾ (Purchase Locally) • 1 - PIPE, 1 1/2 X 2 (Purchase Locally) • 1 - ELBOW,45 DEG 1.5HX1.5H (0012828) • 1 - COUPLING,1.5HX1.5H ABS BLK*AW (0012825) <p><u>Shower Drain Connection</u></p> <ul style="list-style-type: none"> • 1 - PIPE, 1 1/2 X 4 ¾ (Purchase Locally) • 1 - ADAPTER,1.50HX1.50FEMALE PIPE THREAD *ZF (0212006) • 1 - TRAP,SAN WTRLS W VALV *HX 1.50 ABS WHT UTOPIA UNGRD (0345243) • 1 - TRAP,SAN WTRLS W VAL *HY 1.50 ANG ADPTR ELB ABS WHT UTOPIA UNGRD (0345244) • 1 - ADAPTER,1.50MPT PVC WHT (0052957) • 1 - ADAPTER,FEMALE 1-1/2 SPIGOT X1-1/2 FPT 5803-2 63-0322 (0012827) <p><u>Termination Pipe Connection</u></p> <ul style="list-style-type: none"> • 1 - ELBOW,STREET 45 DEGREE 1-1/2 SPIGOTX1-1/2 HUB 5806-2 63-0612 (0012830) • 1 - PIPE, 1 1/2 X 2 (Purchase Locally) • 1 - COUPLING,1.5HX1.5H ABS BLK*AW (0012825)
Misc. Tools & Supplies:	Screw gun with square bit 9/16 socket and wrench 3/8 socket Saw

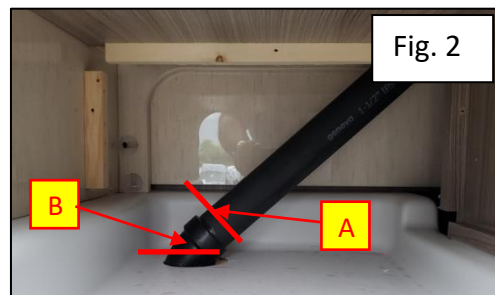
PREPARATION FOR GREY TANK REPLACEMENT

1. Install the tank heater pad (0083632) to the bottom side of the Grey tank (2027351):
 - A. The heat panel can only be applied to non-conductive surfaces and in temperatures exceeding 55° F.
 - B. Select a flat area lowest to the drain to install the heat panel.
 - C. Clean the entire mounting area with isopropyl alcohol and let dry.
 - i. **NOTE: Do not use solvents for cleaning.**
 - D. Peel off paper backing and place sticky side up next to the mounting area.
 - E. Spray both the mounting area and the heat panel with 676 High Performance Spray Adhesive
 - i. **NOTE: Both sides – heat panel and mounting area – must dry to touch.**
 - ii. **NOTE: 676 High Performance has been approved by supplier. Substitutes must be reviewed.**
 - F. Place the heat panel into the mounting surface and press down firmly on the entire panel to insure pressure sensitive adhesive makes full contact.
 - i. **Warning: Liquid must be present in the tank prior to turning on the heat panels.**
 - G. After tank installation completed, wire leads from the heat pad must be secured to insure they do not catch on road obstructions.
2. Install pipe and fittings:
 - A. Shower Drain Connection: Install an ADAPTER, 1.50MPT PVC WHT (0052957) and FITTING,1.50 SPIN-IN FEMALE PIPE THREAD FLUSH HOLDING TANK (0206083).
 - B. Vent Pipe Connection: Install an ADAPTER, 1.50MPT PVC WHT (0052957) and FITTING,1.50 SPIN-IN FEMALE PIPE THREAD FLUSH HOLDING TANK (0206083).
 - C. Lav Sink Connection: Install an ADAPTER, 1.50MPT PVC WHT (0052957) and FITTING,1.50 SPIN-IN FEMALE PIPE THREAD FLUSH HOLDING TANK (0206083).

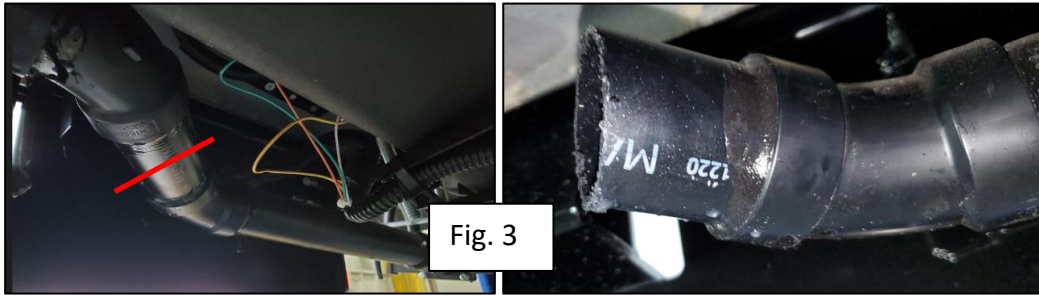


GREY TANK REPLACEMENT INSTRUCTIONS

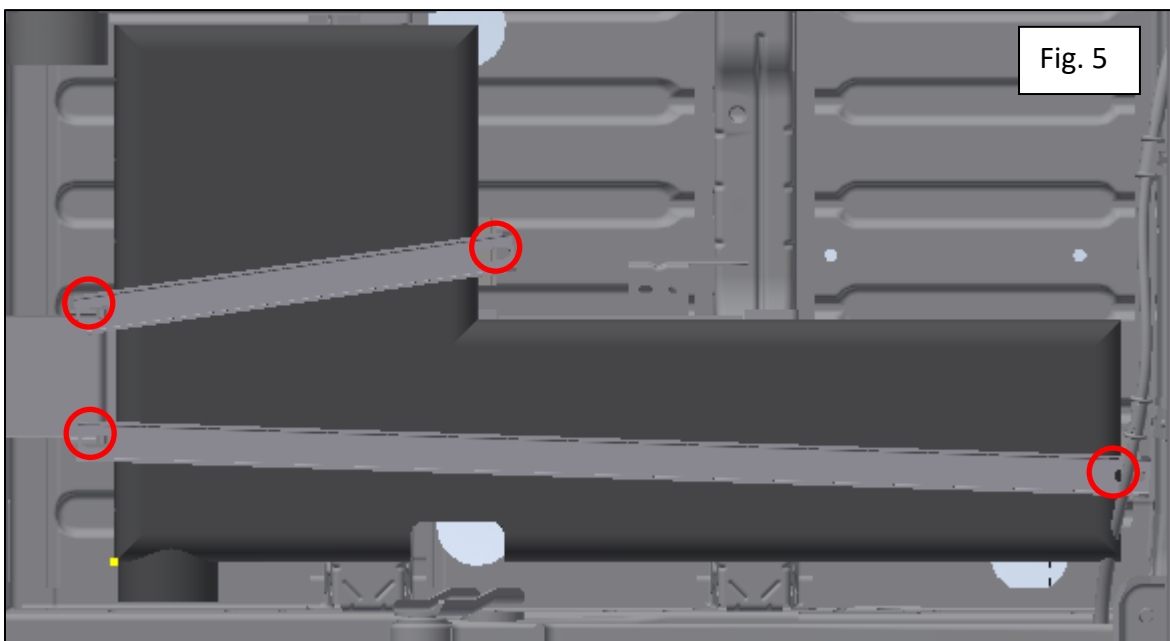
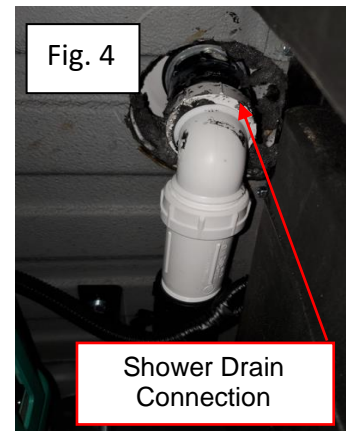
1. Verify the Grey tank has been completely emptied.
2. With a screw gun with square bit, remove the access cover inside the rear wardrobe to expose the Grey tank vent pipe. (Figure 1)
3. Using a saw (Figure 2):
 - A. Cut the 1.5" Black pipe approximately $\frac{3}{4}$ to 1 inch above the elbow.
 - B. Cut the elbow approximately $\frac{1}{2}$ inch above the shower floor.



4. Moving to below floor, use a saw to cut the 1.5" Black pipe going from the driver side of tank to the Termination Assembly. Cut in the middle of the 4 inch piece between elbows. (Figure 3)
5. Reaching from underneath, loosen the adapter from the shower drain. (Figure 4)



6. Cut any zip ties securing the harness to the supports.
7. Loosen and remove the tank probe wires from the end of Grey tank.
8. Using a 9/16 socket and/or wrench, loosen the four fasteners to the tank hold down brackets. (Figure 5)
9. Drop the tank slightly to expose the last pipe connection (to the lav sink).



10. Looking between the tank and the OEM floor, use a saw to cut the 1.5" Black pipe approximately 1 inch above the tank connection. (Figure 6)

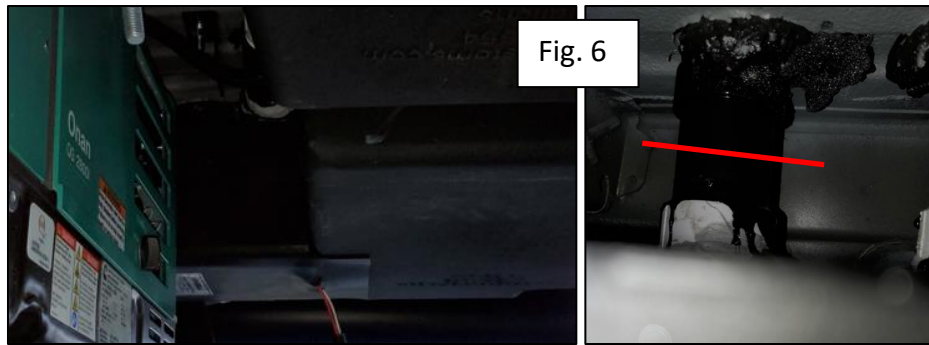


Fig. 6

11. Remove and discard the Grey tank.
12. Lav Sink Pipe (2C):
 - A. Install PIPE, 1 1/2 X 2 (4007711) to adapter in the tank.
 - B. Install COUPLING, 1.5HX1.5H ABS BLK*AW (0012825) to the 2 inch pipe.
13. Vent Pipe Connection (2B):
 - A. Install PIPE, 1 1/2 X 4 3/4 to the adapter in the tank.
14. Lift the tank into place and dry fit the coupler to the cut pipe.
15. Apply adhesive to open side of the coupler installed in step 1.
16. Raise the Grey tank into place – aligning with the coupler (Step 12B) with the cut pipe (Step 10). The 4-3/4 inch pipe (Step 13A) through the floor hole into wardrobe.
17. Using a 9/16 socket, support the tank and re-install the mounting straps.
18. Re-secure the tank probe wires to the end of the tank.
19. Using tie straps re-secure the tank probe harness to the mounting strap.

20. Shower Drain Connection (2A) (Figure 7)
 - A. Install PIPE, 1 1/2 X 4 3/4 (4007711)
 - B. Install ADAPTER, 1.50HX1.50FEMALE PIPE THREAD *ZF (0212006)
 - C. Install TRAP, SAN WTRLS W VALV *HX 1.50 ABS WHT UTOPIA UNGRD (0345243)
 - D. Install TRAP, SAN WTRLS W VAL *HY 1.50 ANG ADPTR ELB ABS WHT UTOPIA UNGRD (0345244)
 - E. Install ADAPTER, 1.50MPT PVC WHT (0052957)
 - F. Secure trap to the shower drain.

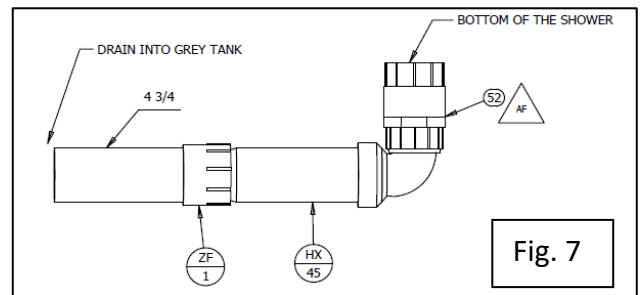
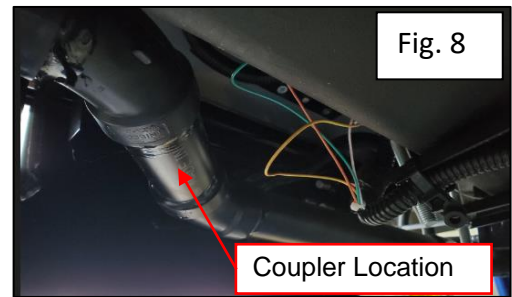


Fig. 7

21. Termination Valve Connection (Figure 8):

- A. Install ELBOW, STREET 45 DEGREE 1-1/2 SPIGOTX1-1/2 HUB 5806-2 63-0612 (0012830) to the tank.
- B. Install PIPE, 1 1/2 X 2 (4007711) to the elbow.
- C. Install COUPLING, 1.5HX1.5H ABS BLK*AW (0012825) to connect the 2 inch pipe to the previously cut pipe.



22. Vent Pipe (2B) Connection – above floor (Figure 9)

- A. Install ELBOW, 45 DEG 1.5HX1.5H (0012828) to the 4-3/4 pipe secured to Grey tank.
- B. Install PIPE, 1 1/2 X 2 (4007711) to the elbow.
- C. Install COUPLING, 1.5HX1.5H ABS BLK*AW (0012825) to connect the 2 inch pipe to the previously cut pipe.



23. Test system and re-install plumbing access.

Jayco's sole obligation under our limited warranty is to repair or replace defective materials and/or workmanship deemed our responsibility as determined by Jayco in our sole discretion. Jayco reserves the right to use new and/or remanufactured parts or materials of similar quality to complete any work, and to make parts and/or design changes as appropriate without notice to anyone. Jayco designs and/or materials changes are done without obligation to incorporate such changes in previously manufactured product. Jayco makes every reasonable effort to ensure field remedies will not adversely affect performance and/or safety of the unit. This field remedy is not intended to extend to future performance of this RV, or any of its materials, components or parts beyond the standard warranty period. The RV owner's obligation to notify Jayco, or one of its independent, authorized dealers, of a claimed defect does not modify any obligation placed on the RV owner to contact Jayco directly when attempting to pursue remedies under state or federal law.

903 South Main Street • P.O. Box 460 • Middlebury, IN 46540