

GENERAL MOTORS  
DCS6918  
URGENT - DISTRIBUTE IMMEDIATELY

Date: June 18, 2024

Subject: REVISION: N242446290-01 - Service Update  
Transmission Clutch Piston Housing  
Revised Floor Plan Reimbursement Language

Models: 2024 Buick Encore GX  
2024 Cadillac XT4, XT5 and XT6  
2024 Chevrolet Blazer  
2024 Chevrolet Trailblazer  
2024 Chevrolet Traverse  
2024 Chevrolet Traverse Limited  
2024 GMC Acadia  
2024 GMC Terrain

This bulletin is being revised to update the Floor Plan Reimbursement language. Please discard all previous copies of N242446290.

The bulletin with the updated language is available in SI.

Floor Plan Reimbursement – NEW INVENTORY ONLY

USA & Canada Dealers Only - For vehicles eligible for floor plan reimbursement, the amount should be submitted in Net Item/Miscellaneous. This amount should represent the product of the vehicle's average daily interest rate (see table below) multiplied by the actual number of days the vehicle was in dealer inventory and not available for sale. This reimbursement is limited to the number of days from the date of the "Incomplete Remedy Not Available" message **May 13, 2024 OR May 24, 2024** (as shown in IVH) to the date the VIN was placed in "open" status in IVH PLUS UP TO 30 days allowing additional time for dealerships with multiple vehicles to be repaired (Maximum Number of days for this Floor Plan is calculated from the "Release Date" on VINs in "Open" Status in IVH plus up to 30 days, and will be adjusted if additional releases occur.

Simply, add the days from "Incomplete Remedy Not Available" message **May 13, 2024 OR May 24, 2024** (as shown in IVH) to the date the VIN was placed in "open" status in IVH PLUS, the days until the vehicle was repaired (up to an additional 30 days). Please Note: this will also be monitored in the Global Warranty Management System.

END OF MESSAGE

# Service Update

## N242446290 Transmission Clutch Piston Housing



**Release Date:** June 2024

**Revision:** 01

**Revision Description:** This bulletin is being revised to update the Floor Plan Reimbursement language. Please discard all previous copies of N242446290.

**Attention:** Vehicles involved in this Service Update were placed in Incomplete Remedy Not Available status on May 13, 2024 and May 24, 2024. Once the service procedure contained in this bulletin has been performed on the vehicle, the vehicle can be delivered to the customer.

All involved vehicles that are in dealer inventory must be held and not delivered to customers, dealer traded, or used for demonstration purposes until the repair contained in this bulletin has been performed on the vehicle.

This service update involves vehicles in dealer inventory only and will expire July 31, 2025.

| Make      | Model            | Model Year |      | RPO | Description |
|-----------|------------------|------------|------|-----|-------------|
|           |                  | From       | To   |     |             |
| Buick     | Encore GX        | 2024       | 2024 |     |             |
| Cadillac  | XT4              |            |      |     |             |
| Cadillac  | XT5              |            |      |     |             |
| Cadillac  | XT6              |            |      |     |             |
| Chevrolet | Blazer           |            |      |     |             |
| Chevrolet | Trailblazer      |            |      |     |             |
| Chevrolet | Traverse         |            |      |     |             |
| Chevrolet | Traverse Limited |            |      |     |             |
| GMC       | Acadia           |            |      |     |             |
| GMC       | Terrain          |            |      |     |             |

This service update should be performed on vehicles in dealer inventory only. Involved vehicles are marked "Open" on the Investigate Vehicle History screen in GM Global Warranty Management system. This site should always be checked to confirm vehicle involvement prior to beginning any required inspections and/or repairs.

|                   |   |
|-------------------|---|
| <b>Condition</b>  | Certain 2024 model year Buick Encore GX, Cadillac XT4, XT5, XT6, Chevrolet Blazer, Trailblazer, Traverse, Traverse Limited, GMC Acadia and Terrain vehicles may have a condition in which the clutch backing plate retaining ring and/or the clutch piston retaining ring inside the transmission are out of specification. |
| <b>Correction</b> | Dealers are to replace the clutch piston housing.   |

### Parts

**Note:** Use the VIN and the GM Electronic Parts Catalog (EPC) to determine which parts and quantities to order for the vehicle you are working on. The parts lists contains parts and quantities for both FWD and AWD variants of each vehicle, and some parts may not be necessary depending on the drivetrain of the vehicle you are repairing.

### Blazer

| Quantity | Part Name                                | Part No. |
|----------|--|----------|
| 1        | SEAL ASM-A/TRNS FLUID PUMP               | 24268389 |
| 1        | PISTON ASM-1-2-3-4-5-6 CLU               | 24050076 |
| 2        | PLATE-1-2-3-4-5-6 CLU                    | 24267678 |
| 1        | PLATE-1-2-3-4-5-6 CLU BKG                | 24267680 |
| 1        | RING-1-2-3-4-5-6 CLU BKG PLT RET         | 24267681 |
| 1        | GASKET-T/CV HSG                          | 24267848 |
| 1        | SEAL-1-2-3-4-5-6 CLU PSTN INR            | 24277333 |
| 1        | RING-2-9 CLU PSTN RET                    | 24280145 |
| 1        | SPRING-1-2-3-4-5-6 CLU PSTN RTN          | 24282417 |
| 1        | SEAL-FLUID TRFER PIPE                    | 24285073 |
| 1        | SEAL-A/TRNS FLUID TEMP SEN (O RING)      | 24285336 |
| 1        | PLATE-1-2-3-4-5-6 CLU (WAVED)            | 24286803 |
| 1        | SEAL-CLU FLUID PASG                      | 24288671 |
| 2        | PLATE ASM-1-2-3-4-5-6 CLU (W/FRICT MATL) | 24290714 |
| 1        | SEAL-1-2-3-4-5-6 CLU PSTN                | 24297282 |
| 4        | BOLT/SCREW-DRIVETRAIN & FRT SUSP CRADLE  | 11547841 |

## Service Update

### N242446290 Transmission Clutch Piston Housing



|        |   |                              |
|--------|---|------------------------------|
| 2      | BOLT/SCREW-TRANS RR MT                        | 11549251                     |
| 2      | BOLT/SCREW-FRT CRADLE BR                      | 11588738                     |
| 1      | CLAMP ASM-EXH PIPE                            | 11603519                     |
| 3      | BOLT, TRANS RR MT BRKT                        | 11609598                     |
| 3      | BOLT/SCREW-TRANS MT TRANS SI BRKT             | 11609605                     |
| 2      | WASHER-FRT WHL DRV SHF                        | 11611965                     |
| 2      | NUT-FRT WHL DRV SHF                           | 11612295                     |
| As Req | DEXCOOL – ENGINE COOLANT                      | 12346290 US<br>10953464 CA   |
| 1      | SEAL-INT MANIF                                | 12648665                     |
| 1      | GASKET-THROT BODY                             | 12652450                     |
| 1      | SEAL-OIL LVL IND TUBE (O RING)                | 12670252                     |
| 1      | SEAL-VAC PUMP OIL OTLT PIPE                   | 12685956                     |
| 1      | FILTER ASM-OIL                                | 12735608                     |
| 1      | SEAL-TRFER CASE INTER DRV SHF (O-RING)        | 19132944                     |
| 1      | CLIP-TRFER CASE INTER DRV SHF RET             | 19132950                     |
| As Req | OIL-ENG                                       | 19432331 US**<br>19432456 CA |
| 1      | GASKET-EXH MUFF                               | 22816982                     |
| 2      | GASKET-EXH SYS FRT                            | 22997477                     |
| 2      | GASKET-EXH SYS INTER                          | 23161602                     |
| 1      | SEAL-PWR TRFER U INTERFACE (O-RING)           | 23277803                     |
| 2      | SEAL-PROP SHF TO DIFF CARR INTERFACE (O RING) | 23321677                     |
| 2      | RETAINER-PWR TRFER U PROP SHF                 | 23432713                     |
| 1      | SEAL-TRANS FLUID CLR PIPE FTG                 | 25874797                     |
| 2      | SEAL-THROT BODY                               | 55488179                     |
| 2      | SEAL-ENG OIL CLR                              | 55488933                     |
| 1      | GASKET-CTLTC CONV                             | 55502444                     |
| 2      | GASKET-CTLTC CONV                             | 84135650                     |
| 1      | GASKET-EXH SYS INTER                          | 84997134                     |
| 1      | RING-R/AXL SHF RET                            | 90223082                     |
| 10     | FLUID-A/TRANS (DEXRON VI)                     | 88865601 US*<br>19421425 CA  |

#### Trailblazer

| Quantity | Part Name                                | Part No. |
|----------|--|----------|
| 1        | SEAL ASM-A/TRNS FLUID PUMP               | 24268389 |
| 1        | PISTON ASM-1-2-3-4-5-6 CLU               | 24050076 |
| 2        | PLATE-1-2-3-4-5-6 CLU                    | 24267678 |
| 1        | PLATE-1-2-3-4-5-6 CLU BKG                | 24267680 |
| 1        | RING-1-2-3-4-5-6 CLU BKG PLT RET         | 24267681 |
| 1        | GASKET-T/CV HSG                          | 24267848 |
| 1        | SEAL-1-2-3-4-5-6 CLU PSTN INR            | 24277333 |
| 1        | RING-2-9 CLU PSTN RET                    | 24280145 |
| 1        | SPRING-1-2-3-4-5-6 CLU PSTN RTN          | 24282417 |
| 1        | SEAL-FLUID TRFER PIPE                    | 24285073 |
| 1        | SEAL-A/TRNS FLUID TEMP SEN (O RING)      | 24285336 |
| 1        | PLATE-1-2-3-4-5-6 CLU (WAVED)            | 24286803 |
| 1        | SEAL-CLU FLUID PASG                      | 24288671 |
| 2        | PLATE ASM-1-2-3-4-5-6 CLU (W/FRICT MATL) | 24290714 |
| 1        | SEAL-1-2-3-4-5-6 CLU PSTN                | 24297282 |
| 4        | BOLT, ENG MT BRKT                        | 11546406 |
| 2        | WASHER-FRT WHL DRV SHF                   | 11547142 |
| 3        | BOLT, ENG MT ENG SI                      | 11547918 |
| 2        | BOLT, DRIVETRAIN & FRT SUSP CRADLE RR    | 11549247 |
| 2        | BOLT, ENG MT                             | 11589276 |
| 1        | CLAMP ASM-EXH PIPE                       | 11602406 |
| 1        | BOLT/SCREW-TRANS BR                      | 11603078 |

## Service Update

### N242446290 Transmission Clutch Piston Housing



|        |  |                              |
|--------|--|------------------------------|
| 3      | BOLT, TRANS MT BRKT                                  | 11610906                     |
| 1      | BOLT, TRANS MT BRKT                                  | 11611268                     |
| As Req | DEXCOOL – ENGINE COOLANT                             | 12346290 US<br>10953464 CA   |
| 3      | GASKET-INT MANIF                                     | 12667033                     |
| 2      | SEAL-THROT BODY                                      | 12667034                     |
| 1      | SEAL-OIL LVL IND TUBE (O RING)                       | 12670252                     |
| 1      | GASKET-CTLTC CONV                                    | 12683614                     |
| 1      | FILTER ASM-OIL                                       | 12735608                     |
| 2      | NUT, FRT WHL DRV SHF                                 | 13217120                     |
| 1      | SEAL, A/C CNDSR HOSE (PART OF 24) (5/16" INSIDE DIA) | 13418807                     |
| 2      | SEAL-A/C CMPR HOSE                                   | 13418808                     |
| 2      | SEAL-A/C CMPR HOSE                                   | 13418809                     |
| 1      | GASKET-CTLTC CONV                                    | 13499082                     |
| 1      | SEAL-TRFER CASE INTER DRV SHF (O-RING)               | 19132944                     |
| 1      | CLIP-TRFER CASE INTER DRV SHF RET                    | 19132950                     |
| As Req | OIL-ENG  | 19432331 US**<br>19432456 CA |
| 1      | SEAL-PROP SHF TO DIFF CARR INTERFACE (O RING)        | 23206807                     |
| 1      | RETAINER-PROP SHF TO DIFF CARR INTERFACE             | 23206808                     |
| 1      | SEAL, PROP SHF TO DIFF CARR INTERFACE (O RING)       | 23321677                     |
| 1      | RETAINER, PROP SHF TO DIFF CARR INTERFACE            | 23432713                     |
| 1      | SEAL, PWR TRFER U CVR TO INTER DRV SHF               | 23432721                     |
| 1      | SEAL-TRANS FLUID CLR PIPE FTG                        | 25874797                     |
| 3      | RING, FRT WHL DRV SHF RET                            | 42721955                     |
| 1      | SEAL, A/C CMPR HOSE (O RING)                         | 90381761                     |
| 10     | FLUID-A/TRANS (DEXRON VI)                            | 88865601 US*<br>19421425 CA  |

#### Traverse Limited

| Quantity | Part Name                                     | Part No. |
|----------|---|----------|
| 1        | PISTON ASM-1-2-3-4-5-6 CLU                    | 24050076 |
| 1        | SEAL ASM-A/TRNS FLUID PUMP                    | 24268389 |
| 2        | PLATE-1-2-3-4-5-6 CLU                         | 24267678 |
| 1        | PLATE-1-2-3-4-5-6 CLU BKG                     | 24267680 |
| 1        | RING-1-2-3-4-5-6 CLU BKG PLT RET              | 24267681 |
| 1        | GASKET-T/CV HSG                               | 24267848 |
| 1        | SEAL-1-2-3-4-5-6 CLU PSTN INR                 | 24277333 |
| 1        | RING-2-9 CLU PSTN RET                         | 24280145 |
| 1        | SPRING-1-2-3-4-5-6 CLU PSTN RTN               | 24282417 |
| 1        | SEAL-FLUID TRFER PIPE                         | 24285073 |
| 1        | SEAL-A/TRNS FLUID TEMP SEN (O RING)           | 24285336 |
| 1        | PLATE-1-2-3-4-5-6 CLU (WAVED)                 | 24286803 |
| 1        | SEAL-CLU FLUID PASG                           | 24288671 |
| 2        | PLATE ASM-1-2-3-4-5-6 CLU (W/FRICT MATL)      | 24290714 |
| 1        | SEAL-1-2-3-4-5-6 CLU PSTN                     | 24297282 |
| 4        | BOLT/SCREW-DRIVETRAIN & FRT SUSP CRADLE       | 11547841 |
| 2        | BOLT/SCREW-TRANS RR MT                        | 11549251 |
| 2        | BOLT/SCREW-FRT CRADLE BR                      | 11588739 |
| 3        | BOLT, TRANS RR MT BRKT                        | 11609598 |
| 3        | BOLT/SCREW-TRANS MT TRANS SI BRKT             | 11609605 |
| 2        | WASHER-FRT WHL DRV SHF                        | 11611965 |
| 2        | NUT-FRT WHL DRV SHF                           | 11612295 |
| 1        | SEAL-TRFER CASE INTER DRV SHF (O-RING)        | 19132944 |
| 1        | CLIP-TRFER CASE INTER DRV SHF RET             | 19132950 |
| 1        | GASKET-EXH MUFF                               | 22816982 |
| 1        | SEAL-PWR TRFER U INTERFACE (O-RING)           | 23277803 |
| 2        | SEAL-PROP SHF TO DIFF CARR INTERFACE (O RING) | 23321677 |

## Service Update

### N242446290 Transmission Clutch Piston Housing



|    |                               |                             |
|----|-------------------------------|-----------------------------|
| 2  | RETAINER-PWR TRFER U PROP SHF | 23432713                    |
| 2  | GASKET-CTLTC CONV             | 84135650                    |
| 1  | RING-R/AXL SHF RET            | 90223082                    |
| 10 | FLUID-A/TRANS (DEXRON VI)     | 88865601 US*<br>19421425 CA |

#### XT4

| Quantity | Part Name                                      | Part No.                      |
|----------|--|-------------------------------|
| 1        | PISTON ASM-1-2-3-4-5-6 CLU                     | 24050076                      |
| 1        | SEAL ASM-A/TRNS FLUID PUMP                     | 24268389                      |
| 2        | PLATE-1-2-3-4-5-6 CLU                          | 24267678                      |
| 1        | PLATE-1-2-3-4-5-6 CLU BKG                      | 24267680                      |
| 1        | RING-1-2-3-4-5-6 CLU BKG PLT RET               | 24267681                      |
| 1        | GASKET-T/CV HSG                                | 24267848                      |
| 1        | SEAL-1-2-3-4-5-6 CLU PSTN INR                  | 24277333                      |
| 1        | RING-2-9 CLU PSTN RET                          | 24280145                      |
| 1        | SPRING-1-2-3-4-5-6 CLU PSTN RTN                | 24282417                      |
| 1        | SEAL-FLUID TRFER PIPE                          | 24285073                      |
| 1        | SEAL-A/TRNS FLUID TEMP SEN (O RING)            | 24285336                      |
| 1        | PLATE-1-2-3-4-5-6 CLU (WAVED)                  | 24286803                      |
| 1        | SEAL-CLU FLUID PASG                            | 24288671                      |
| 2        | PLATE ASM-1-2-3-4-5-6 CLU (W/FRICT MATL)       | 24290714                      |
| 1        | SEAL-1-2-3-4-5-6 CLU PSTN                      | 24297282                      |
| 4        | BOLT/SCREW-TRANS MT TRANS SI                   | 11547918                      |
| 4        | BOLT/SCREW-TORS BAR SUPT                       | 11561299                      |
| 2        | BOLT, TRANS MT                                 | 11589275                      |
| 1        | CLAMP ASM-EXH PIPE                             | 11603519                      |
| 3        | BOLT, TRANS RR MT BRKT                         | 11611642                      |
| 2        | BOLT, TRANS MT STRUT BRKT                      | 11611642                      |
| 2        | WASHER-FRT WHL DRV SHF                         | 11611965                      |
| 1        | RING-R/AXL SHF RET                             | 90223082                      |
| 2        | NUT-FRT WHL DRV SHF                            | 11612295                      |
| As Req   | DEXCOOL – ENGINE COOLANT                       | 12346290 US<br>10953464 CA    |
| 1        | SEAL-OIL LVL IND TUBE (O RING)                 | 12670252                      |
| 1        | FILTER ASM-OIL                                 | 12735608                      |
| 1        | SEAL-TRFER CASE INTER DRV SHF (O-RING)         | 19132944                      |
| 1        | CLIP-TRFER CASE INTER DRV SHF RET              | 19132950                      |
| As Req   | OIL-ENG  | 19432331 US **<br>19432456 CA |
| 2        | GASKET, CTLTC CONV                             | 22816982                      |
| 1        | SEAL-PROP SHF TO DIFF CARR INTERFACE (O RING)  | 23206807                      |
| 1        | RETAINER-PROP SHF TO DIFF CARR INTERFACE       | 23206808                      |
| 1        | SEAL, PROP SHF TO DIFF CARR INTERFACE (O RING) | 23321677                      |
| 1        | RETAINER, PROP SHF TO DIFF CARR INTERFACE      | 23432713                      |
| 1        | SEAL, FRT WHL DRV INTER SHF                    | 25824167                      |
| 3        | SEAL-TRANS FLUID CLR PIPE FTG                  | 25874797                      |
| 2        | SEAL-THROT BODY                                | 55488179                      |
| 2        | SEAL-ENG OIL CLR                               | 55488933                      |
| 1        | GASKET-CTLTC CONV                              | 55502444                      |
| 1        | SEAL-PWR TRFER U FACE                          | 84297549                      |
| 1        | GASKET-EXH SYS INTER                           | 84997134                      |
| 1        | RING-FRT WHL DRV SHF RET                       | 90121202                      |
| 10       | FLUID-A/TRANS (DEXRON VI)                      | 88865601 US*<br>19421425 CA   |

## Service Update

### N242446290 Transmission Clutch Piston Housing



#### XT5

| Quantity | Part Name                                     | Part No.                      |
|----------|---|-------------------------------|
| 1        | PISTON ASM-1-2-3-4-5-6 CLU                    | 24050076                      |
| 1        | SEAL ASM-A/TRNS FLUID PUMP                    | 24268389                      |
| 2        | PLATE-1-2-3-4-5-6 CLU                         | 24267678                      |
| 1        | PLATE-1-2-3-4-5-6 CLU BKG                     | 24267680                      |
| 1        | RING-1-2-3-4-5-6 CLU BKG PLT RET              | 24267681                      |
| 1        | GASKET-T/CV HSG                               | 24267848                      |
| 1        | SEAL-1-2-3-4-5-6 CLU PSTN INR                 | 24277333                      |
| 1        | RING-2-9 CLU PSTN RET                         | 24280145                      |
| 1        | SPRING-1-2-3-4-5-6 CLU PSTN RTN               | 24282417                      |
| 1        | SEAL-FLUID TRFER PIPE                         | 24285073                      |
| 1        | SEAL-A/TRNS FLUID TEMP SEN (O RING)           | 24285336                      |
| 1        | PLATE-1-2-3-4-5-6 CLU (WAVED)                 | 24286803                      |
| 1        | SEAL-CLU FLUID PASG                           | 24288671                      |
| 2        | PLATE ASM-1-2-3-4-5-6 CLU (W/FRICT MATL)      | 24290714                      |
| 1        | SEAL-1-2-3-4-5-6 CLU PSTN                     | 24297282                      |
| 4        | BOLT/SCREW-DRIVETRAIN & FRT SUSP CRADLE       | 11547841                      |
| 2        | BOLT/SCREW-TRANS RR MT                        | 11549251                      |
| 2        | BOLT/SCREW-FRT CRADLE BR                      | 11588739                      |
| 1        | CLAMP ASM-EXH PIPE                            | 11603519                      |
| 3        | BOLT, TRANS RR MT BRKT                        | 11609598                      |
| 2        | WASHER-FRT WHL DRV SHF                        | 11611965                      |
| 2        | NUT-FRT WHL DRV SHF                           | 11612295                      |
| As Req   | DEXCOOL – ENGINE COOLANT                      | 12346290 US<br>10953464 CA    |
| 1        | SEAL-OIL LVL IND TUBE (O RING)                | 12670252                      |
| 1        | SEAL-VAC PUMP OIL OTLT PIPE                   | 12685956                      |
| 1        | FILTER ASM-OIL                                | 12735608                      |
| 1        | SEAL-TRFER CASE INTER DRV SHF (O-RING)        | 19132944                      |
| 1        | CLIP-TRFER CASE INTER DRV SHF RET             | 19132950                      |
| As Req   | OIL-ENG                                       | 19432331 US **<br>19432456 CA |
| 1        | GASKET-EXH MUFF                               | 22816982                      |
| 2        | GASKET-EXH SYS FRT                            | 22997477                      |
| 2        | GASKET-EXH SYS INTER                          | 23161602                      |
| 1        | SEAL-PWR TRFER U INTERFACE (O-RING)           | 23277803                      |
| 2        | SEAL-PROP SHF TO DIFF CARR INTERFACE (O RING) | 23321677                      |
| 2        | RETAINER-PWR TRFER U PROP SHF                 | 23432713                      |
| 1        | SEAL-TRANS FLUID CLR PIPE FTG                 | 25874797                      |
| 3        | SEAL-TRANS FLUID CLR PIPE FTG                 | 25874797                      |
| 2        | SEAL-THROT BODY                               | 55488179                      |
| 2        | SEAL-ENG OIL CLR                              | 55488933                      |
| 1        | GASKET-CTLTC CONV                             | 55502444                      |
| 2        | GASKET-CTLTC CONV                             | 84135650                      |
| 1        | GASKET-EXH SYS INTER                          | 84997134                      |
| 1        | RING-R/AXL SHF RET                            | 90223082                      |
| 3        | BOLT/SCREW-TRANS MT TRANS SI BRKT             | 11609605                      |
| 10       | FLUID-A/TRANS (DEXRON VI)                     | 88865601 US*<br>19421425 CA   |

#### XT6

| Quantity | Part Name                        | Part No. |
|----------|----------------------------------|----------|
| 1        | PISTON ASM-1-2-3-4-5-6 CLU       | 24050076 |
| 1        | SEAL ASM-A/TRNS FLUID PUMP       | 24268389 |
| 2        | PLATE-1-2-3-4-5-6 CLU            | 24267678 |
| 1        | PLATE-1-2-3-4-5-6 CLU BKG        | 24267680 |
| 1        | RING-1-2-3-4-5-6 CLU BKG PLT RET | 24267681 |

## Service Update

### N242446290 Transmission Clutch Piston Housing



|        |   |                               |
|--------|---|-------------------------------|
| 1      | GASKET-T/CV HSG                               | 24267848                      |
| 1      | SEAL-1-2-3-4-5-6 CLU PSTN INR                 | 24277333                      |
| 1      | RING-2-9 CLU PSTN RET                         | 24280145                      |
| 1      | SPRING-1-2-3-4-5-6 CLU PSTN RTN               | 24282417                      |
| 1      | SEAL-FLUID TRFER PIPE                         | 24285073                      |
| 1      | SEAL-A/TRNS FLUID TEMP SEN (O RING)           | 24285336                      |
| 1      | PLATE-1-2-3-4-5-6 CLU (WAVED)                 | 24286803                      |
| 1      | SEAL-CLU FLUID PASG                           | 24288671                      |
| 2      | PLATE ASM-1-2-3-4-5-6 CLU (W/FRICT MATL)      | 24290714                      |
| 1      | SEAL-1-2-3-4-5-6 CLU PSTN                     | 24297282                      |
| 4      | BOLT/SCREW-DRIVETRAIN & FRT SUSP CRADLE       | 11547841                      |
| 2      | BOLT/SCREW-TRANS RR MT                        | 11549251                      |
| 2      | BOLT/SCREW-FRT CRADLE BR                      | 11588739                      |
| 1      | CLAMP ASM-EXH PIPE                            | 11603519                      |
| 3      | BOLT, TRANS RR MT BRKT                        | 11609598                      |
| 2      | WASHER-FRT WHL DRV SHF                        | 11611965                      |
| 2      | NUT-FRT WHL DRV SHF                           | 11612295                      |
| As Req | DEXCOOL – ENGINE COOLANT                      | 12346290 US<br>10953464 CA    |
| 1      | SEAL-OIL LVL IND TUBE (O RING)                | 12670252                      |
| 1      | SEAL-VAC PUMP OIL OTLT PIPE                   | 12685956                      |
| 1      | FILTER ASM-OIL                                | 12735608                      |
| 1      | SEAL-TRFER CASE INTER DRV SHF (O-RING)        | 19132944                      |
| 1      | CLIP-TRFER CASE INTER DRV SHF RET             | 19132950                      |
| As Req | OIL-ENG                                       | 19432331 US **<br>19432456 CA |
| 1      | GASKET-EXH MUFF                               | 22816982                      |
| 2      | GASKET-EXH SYS FRT                            | 22997477                      |
| 2      | GASKET-EXH SYS INTER                          | 23161602                      |
| 1      | SEAL-PWR TRFER U INTERFACE (O-RING)           | 23277803                      |
| 2      | SEAL-PROP SHF TO DIFF CARR INTERFACE (O RING) | 23321677                      |
| 2      | RETAINER-PWR TRFER U PROP SHF                 | 23432713                      |
| 1      | SEAL-TRANS FLUID CLR PIPE FTG                 | 25874797                      |
| 3      | SEAL-TRANS FLUID CLR PIPE FTG                 | 25874797                      |
| 2      | SEAL-THROT BODY                               | 55488179                      |
| 2      | SEAL-ENG OIL CLR                              | 55488933                      |
| 1      | GASKET-CTLTC CONV                             | 55502444                      |
| 2      | GASKET-CTLTC CONV                             | 84135650                      |
| 1      | GASKET-EXH SYS INTER                          | 84997134                      |
| 3      | BOLT/SCREW-TRANS MT TRANS SI BRKT             | 11609605                      |
| 1      | RING-R/AXL SHF RET                            | 90223082                      |
| 10     | FLUID-A/TRANS (DEXRON VI)                     | 88865601 US*<br>19421425 CA   |

#### Terrain

| Quantity | Part Name                           | Part No. |
|----------|-------------------------------------|----------|
| 1        | PISTON ASM-1-2-3-4-5-6 CLU          | 24050076 |
| 1        | SEAL ASM-A/TRNS FLUID PUMP          | 24268389 |
| 2        | PLATE-1-2-3-4-5-6 CLU               | 24267678 |
| 1        | PLATE-1-2-3-4-5-6 CLU BKG           | 24267680 |
| 1        | RING-1-2-3-4-5-6 CLU BKG PLT RET    | 24267681 |
| 1        | GASKET-T/CV HSG                     | 24267848 |
| 1        | SEAL-1-2-3-4-5-6 CLU PSTN INR       | 24277333 |
| 1        | RING-2-9 CLU PSTN RET               | 24280145 |
| 1        | SPRING-1-2-3-4-5-6 CLU PSTN RTN     | 24282417 |
| 1        | SEAL-FLUID TRFER PIPE               | 24285073 |
| 1        | SEAL-A/TRNS FLUID TEMP SEN (O RING) | 24285336 |
| 1        | PLATE-1-2-3-4-5-6 CLU (WAVED)       | 24286803 |

## Service Update

### N242446290 Transmission Clutch Piston Housing



|    |   |                             |
|----|---|-----------------------------|
| 1  | SEAL-CLU FLUID PASG                           | 24288671                    |
| 2  | PLATE ASM-1-2-3-4-5-6 CLU (W/FRICT MATL)      | 24290714                    |
| 1  | SEAL-1-2-3-4-5-6 CLU PSTN                     | 24297282                    |
| 1  | BOLT/SCREW-TRANS MT STRUT RR                  | 11546386                    |
| 2  | WASHER-FRT WHL DRV SHF                        | 11547142                    |
| 4  | BOLT/SCREW-TRANS MT TRANS SI                  | 11547918                    |
| 2  | BOLT/SCREW-FRT CRADLE BR                      | 11588738                    |
| 1  | BOLT/SCREW-TRANS MT STRUT                     | 11609598                    |
| 4  | BOLT, TRANS MT STRUT BRKT                     | 11610904                    |
| 4  | BOLT/SCREW-TRANS MT STRUT BRKT                | 11610906                    |
| 1  | BOLT/SCREW-TRANS MT STRUT RR                  | 11610916                    |
| 2  | NUT, FRT WHL DRV SHF                          | 11611687                    |
| 1  | GASKET-THROT BODY                             | 12637017                    |
| 1  | GASKET-INT MANIF                              | 12637018                    |
| 1  | GASKET-CTLTC CONV                             | 12641115                    |
| 1  | CLAMP ASM-EXH PIPE                            | 12643268                    |
| 1  | SEAL-TRFER CASE INTER DRV SHF (O-RING)        | 19132944                    |
| 1  | CLIP-TRFER CASE INTER DRV SHF RET             | 19132950                    |
| 1  | GASKET-EXH MUFF                               | 22816982                    |
| 2  | SEAL-PROP SHF TO DIFF CARR INTERFACE (O RING) | 23206807                    |
| 2  | RETAINER-PROP SHF TO DIFF CARR INTERFACE      | 23206808                    |
| 1  | GASKET-EXH SYS FRT                            | 23238284                    |
| 1  | SEAL-PWR TRFER U FACE                         | 84297549                    |
| 1  | RING-FRT WHL DRV SHF RET                      | 90121202                    |
| 1  | PLUG, A/TRNS FLUID PAN DRN                    | 08654382                    |
| 10 | FLUID-A/TRANS (DEXRON VI)                     | 88865601 US*<br>19421425 CA |

#### Encore GX

| Quantity | Part Name                                | Part No.    |
|----------|--|-------------|
| 1        | PISTON ASM-1-2-3-4-5-6 CLU               | 24050076    |
| 1        | SEAL ASM-A/TRNS FLUID PUMP               | 24268389    |
| 2        | PLATE-1-2-3-4-5-6 CLU                    | 24267678    |
| 1        | PLATE-1-2-3-4-5-6 CLU BKG                | 24267680    |
| 1        | RING-1-2-3-4-5-6 CLU BKG PLT RET         | 24267681    |
| 1        | GASKET-T/CV HSG                          | 24267848    |
| 1        | SEAL-1-2-3-4-5-6 CLU PSTN INR            | 24277333    |
| 1        | RING-2-9 CLU PSTN RET                    | 24280145    |
| 1        | SPRING-1-2-3-4-5-6 CLU PSTN RTN          | 24282417    |
| 1        | SEAL-FLUID TRFER PIPE                    | 24285073    |
| 1        | SEAL-A/TRNS FLUID TEMP SEN (O RING)      | 24285336    |
| 1        | PLATE-1-2-3-4-5-6 CLU (WAVED)            | 24286803    |
| 1        | SEAL-CLU FLUID PASG                      | 24288671    |
| 2        | PLATE ASM-1-2-3-4-5-6 CLU (W/FRICT MATL) | 24290714    |
| 1        | SEAL-1-2-3-4-5-6 CLU PSTN                | 24297282    |
| 4        | BOLT, ENG MT BRKT                        | 11546406    |
| 2        | WASHER-FRT WHL DRV SHF                   | 11547142    |
| 3        | BOLT, ENG MT ENG SI                      | 11547918    |
| 2        | BOLT, DRIVETRAIN & FRT SUSP CRADLE RR    | 11549247    |
| 3        | BOLT/SCREW-TRANSAXLE T/CV                | 11588468    |
| 2        | BOLT, ENG MT                             | 11589276    |
| 1        | CLAMP ASM-EXH PIPE                       | 11602406    |
| 1        | BOLT/SCREW-TRANS BR                      | 11603078    |
| 1        | BOLT/SCREW-ENG MT STRUT ENG SI BRKT      | 11603079    |
| 3        | BOLT, TRANS MT BRKT                      | 11610906    |
| 1        | BOLT, TRANS MT BRKT                      | 11611268    |
| 2        | NUT, FRT WHL DRV SHF                     | 11611687    |
| As Req   | DEXCOOL – ENGINE COOLANT                 | 12346290 US |

## Service Update

### N242446290 Transmission Clutch Piston Housing



|        |  |                               |
|--------|--|-------------------------------|
|        |  | 10953464 CA                   |
| 3      | GASKET-INT MANIF                               | 12667033                      |
| 2      | SEAL-THROT BODY                                | 12667034                      |
| 1      | SEAL-OIL LVL IND TUBE (O RING)                 | 12670252                      |
| 1      | GASKET-CTLTC CONV                              | 12683614                      |
| 2      | SEAL-A/C CMPR HOSE                             | 13418808                      |
| 2      | SEAL-A/C CMPR HOSE                             | 13418809                      |
| 1      | GASKET-CTLTC CONV                              | 13499082                      |
| 1      | SEAL-TRFER CASE INTER DRV SHF (O-RING)         | 19132944                      |
| 1      | CLIP-TRFER CASE INTER DRV SHF RET              | 19132950                      |
| As Req | OIL-ENG  | 19432331 US **<br>19432456 CA |
| 1      | SEAL-PROP SHF TO DIFF CARR INTERFACE (O RING)  | 23206807                      |
| 1      | RETAINER-PROP SHF TO DIFF CARR INTERFACE       | 23206808                      |
| 1      | SEAL, PROP SHF TO DIFF CARR INTERFACE (O RING) | 23321677                      |
| 1      | RETAINER, PROP SHF TO DIFF CARR INTERFACE      | 23432713                      |
| 3      | SEAL-TRANS FLUID CLR PIPE FTG                  | 25874797                      |
| 1      | RING, FRT WHL DRV SHF RET                      | 42721955                      |
| 1      | SEAL, PWR TRFER U FACE                         | 84501585                      |
| 10     | FLUID-A/TRANS (DEXRON VI)                      | 88865601 US*<br>19421425 CA   |

#### Traverse/Acadia with 8-Speed Transmission

| Quantity | Part Name                                      | Part No. |
|----------|--|----------|
| 1        | PISTON ASM-1-2-3-4-5-6 CLU                     | 24050076 |
| 1        | SEAL ASM-A/TRNS FLUID PUMP                     | 24268389 |
| 2        | PLATE-1-2-3-4-5-6 CLU                          | 24267678 |
| 1        | PLATE-1-2-3-4-5-6 CLU BKG                      | 24267680 |
| 1        | RING-1-2-3-4-5-6 CLU BKG PLT RET               | 24267681 |
| 1        | GASKET-T/CV HSG                                | 24267848 |
| 1        | SEAL-1-2-3-4-5-6 CLU PSTN INR                  | 24277333 |
| 1        | RING-2-9 CLU PSTN RET                          | 24280145 |
| 1        | SPRING-1-2-3-4-5-6 CLU PSTN RTN                | 24282417 |
| 1        | SEAL-FLUID TRFER PIPE                          | 24285073 |
| 1        | SEAL-A/TRNS FLUID TEMP SEN (O RING)            | 24285336 |
| 1        | PLATE-1-2-3-4-5-6 CLU (WAVED)                  | 24286803 |
| 1        | SEAL-CLU FLUID PASG                            | 24288671 |
| 2        | PLATE ASM-1-2-3-4-5-6 CLU (W/FRICT MATL)       | 24290714 |
| 1        | SEAL-1-2-3-4-5-6 CLU PSTN                      | 24297282 |
| 1        | BOLT/SCREW,TRANS FRT MT (TRANS SI)TOP & BOTTOM | 11546405 |
| 4        | BOLT, DRIVETRAIN & FRT SUSP CRADLE             | 11547841 |
| 2        | BOLT, TRANS RR MT                              | 11549251 |
| 3        | BOLT, FRT WHL DRV INTER SHF BRKT               | 11588728 |
| 2        | BOLT/SCREW,TRANS FRT MT (TRANS SI)MIDDLE       | 11588747 |
| 3        | BOLT/SCREW,TRANS RR MT BRKT                    | 11609598 |
| 3        | BOLT/SCREW,TRANS RR MT BRKT                    | 11609605 |
| 2        | WASHER, FRT WHL DRV SHF                        | 11611965 |
| 2        | NUT, FRT WHL DRV SHF                           | 11612295 |
| 1        | GASKET, TURBO EXH PIPE                         | 12739848 |
| 1        | SEAL, PWR TRFER U HALF SHF (O-RING)            | 19132944 |
| 1        | CLIP, PWR TRFER U HALF SHF RET                 | 19132950 |
| 1        | SEAL, PWR TRFER U INTERFACE (O-RING)           | 23277803 |
| 2        | SEAL, PWR TRFER U PROP SHF (O RING)            | 23321677 |
| 2        | RETAINER, PROP SHF TO DIFF CARR INTERFACE      | 23432713 |
| 1        | CLIP,DIFF OIL CLR INL HOSE                     | 24205103 |
| 3        | SEAL, TRANS FLUID CLR                          | 25874797 |
| 1        | GASKET, EXH SYS RR                             | 26381263 |
| 1        | GASKET, EXH SYS INTER                          | 26416290 |

# Service Update

## N242446290 Transmission Clutch Piston Housing



|    |                                    |                             |
|----|------------------------------------|-----------------------------|
| 1  | SEAL KIT,PWR TRFER U INTER DRV SHF | 85634029                    |
| 1  | RING, FRT WHL DRV SHF RET          | 90223082                    |
| 10 | FLUID-A/TRANS (DEXRON VI)          | 88865601 US*<br>19421425 CA |

\* Obtain locally in compliance w/ GM spec GMW16444.

\*\* Obtain locally in compliance w/ GM spec GMW18144.

**Reminder:** Parts may be removed from SPRINT and Retail Inventory Management (RIM) and be non-returnable. Dealers should review the affected parts to confirm RIM managed status. Parts may have quantity limiters in effect. Please continue to refer to your “involved vehicles listing” before ordering parts, due to limited initial parts availability **dealers are asked not to order recall parts for use as shelf stock.** Only order for VIN's in your control.

### Warranty Information

| Labor Operation | Description  | Labor Time | Trans. Type | Net Item |
|-----------------|--|------------|-------------|----------|
| 9107430         | 1-Reverse and 1-2-3-4-5-6 Clutch Piston Housing Overhaul |            |             |          |
|                 | <b>Blazer</b>  |            |             |          |
|                 | LGX AWD  | 13.1       |             |          |
|                 | LGX FWD  | 10.9       |             |          |
|                 | LSY AWD  | 14.0       |             |          |
|                 | <b>Trailblazer</b>                                       |            |             |          |
|                 | M3F AWD  | 12.7       |             |          |
|                 | <b>Traverse Limited</b>                                  |            |             |          |
|                 | LFY AWD  | 15.6       |             |          |
|                 | LFY FWD  | 10.0       |             |          |
|                 | <b>XT4</b>   |            |             |          |
|                 | M3H AWD  | 18.7       |             |          |
|                 | M3H FWD  | 15.2       |             |          |
|                 | <b>XT5</b>   |            |             |          |
|                 | LGX AWD  | 10.1       | ZFAT        | N/A      |
|                 | LGX FWD  | 9.6        |             |          |
|                 | <b>XT6</b>   |            |             |          |
|                 | LGX AWD  | 14.8       |             |          |
|                 | LGX FWD  | 12.0       |             |          |
|                 | <b>Terrain</b>   |            |             |          |
|                 | M3U AWD  | 11.9       |             |          |
|                 | M3U FWD  | 10.7       |             |          |
|                 | <b>Encore GX</b>   |            |             |          |
|                 | M3F AWD  | 12.7       |             |          |
|                 | <b>Acadia/Traverse</b>                                   |            |             |          |
|                 | FWD  | 11.1       |             |          |
|                 | AWD  | 12.7       |             |          |
|                 | <b>ALL OTHER VEHICLE / RPO COMBINATIONS</b>              | ST         |             |          |
| 9107433         | Floor Plan Reimbursement – NEW INVENTORY ONLY            | N/A        | ZFAT        | *        |

**Note:** To avoid having to “H” route the floor plan transaction for approval, it must be submitted prior to the repair transaction.

# Service Update

## N242446290 Transmission Clutch Piston Housing



### Floor Plan Reimbursement – NEW INVENTORY ONLY

\* **USA & Canada Dealers Only** - For vehicles eligible for floor plan reimbursement, the amount should be submitted in Net Item/Miscellaneous. This amount should represent the product of the vehicle's average daily interest rate (see table below) multiplied by the actual number of days the vehicle was in dealer inventory and not available for sale. This reimbursement is limited to the number of days from the date of the "Incomplete Remedy Not Available" message **May 13, 2024 OR May 24, 2024** (as shown in IVH) to the date the VIN was placed in "open" status in IVH PLUS UP TO 30 days allowing additional time for dealerships with multiple vehicles to be repaired (Maximum Number of days for this Floor Plan is calculated from the "Release Date" on VINs in "Open" Status in IVH plus up to 30 days, and will be adjusted if additional releases occur.

Simply, add the days from "Incomplete Remedy Not Available" message **May 13, 2024 OR May 24, 2024** (as shown in IVH) to the date the VIN was placed in "open" status in IVH PLUS, the days until the vehicle was repaired (up to an additional 30 days). Please Note: this will also be monitored in the Global Warranty Management System.

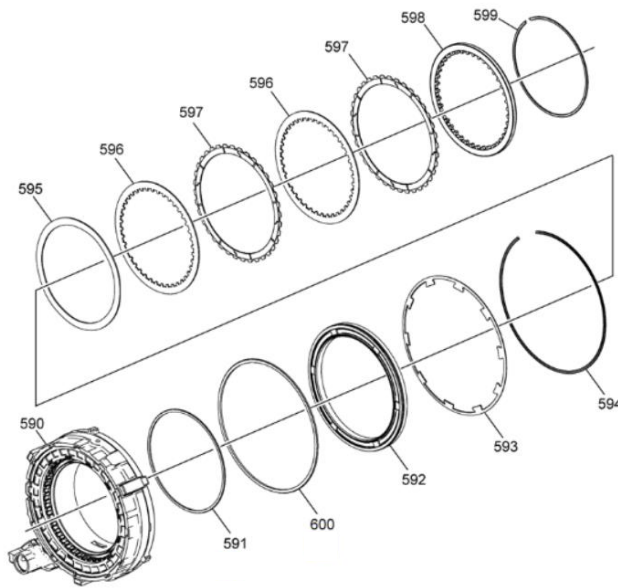
| Vehicle                         | Floor Plan Reimbursement Amount |         |
|---------------------------------|---------------------------------|---------|
|                                 | USA                             | Canada  |
| 2024 Buick Encore GX            | \$10.18                         | \$6.91  |
| 2024 Cadillac XT4               | \$15.42                         | \$10.46 |
| 2024 Cadillac XT5               | \$18.33                         | \$11.61 |
| 2024 Cadillac XT6               | \$20.12                         | \$13.67 |
| 2024 Chevrolet Blazer           | \$14.40                         | \$10.58 |
| 2024 Chevrolet Trailblazer      | \$8.29                          | \$6.47  |
| 2024 Chevrolet Traverse         | \$14.37                         | \$10.15 |
| 2024 Chevrolet Traverse Limited | \$14.37                         | \$11.44 |
| 2024 GMC Acadia                 | \$15.45                         | \$12.63 |
| 2024 GMC Terrain                | \$11.99                         | \$7.81  |

### Service Procedure

1. Remove the transmission. Refer to *Transmission Replacement* by your vehicle and engine/transmission RPO in SI.
2. Remove the 1-Reverse and 1-2-3-4-5-6 Clutch Piston Housing. Refer to the below documents from the 'Off Vehicle Repair' section in order.
  - a. Lift Plate and Holding Fixture Installation
  - b. Torque Converter Removal
  - c. Control Valve Body Cover Removal
  - d. Control Valve Body Assembly Removal
  - e. Input and Output Speed Sensor Removal
  - f. Torque converter Housing with Fluid Pump Assembly Removal
  - g. Front Differential Carrier Removal
  - h. Drive and Driven Sprocket, Drive Link, and Park Pawl Removal
  - i. Refer to *Internal Components Removal* in SI, stopping at step 4.
  - j. 1-Reverse and 1-2-3-4-5-6 Clutch Piston Housing Disassemble

## Service Update

### N242446290 Transmission Clutch Piston Housing



6675586

**Important:** It is critical that all parts labeled 591-600 MUST be replaced.

3. Assemble the provided new parts into the 1-Reverse and 1-2-3-4-5-6 Clutch Piston Housing assembly. Refer to *1-Reverse and 1-2-3-4-5-6 Clutch Piston Housing Assemble* in SI.
4. Install the reassembled 1-Reverse and 1-2-3-4-5-6 Clutch Piston Housing in the transmission. Refer to the below documents from the 'Off Vehicle Repair' section in order.
  - a. 1-Reverse and 1-2-3-4-5-6 Clutch Piston Housing Installation
  - b. Output Sun Gear Installation
  - c. Drive Sprocket, Driven Sprocket, and Drive Link Cleaning and Inspection
  - d. Drive and Driven Sprocket, Drive Link, and Park Pawl Installation
  - e. Front Differential Carrier Cleaning and Inspection
  - f. Front Differential Carrier Installation
  - g. Torque Converter and Differential Housing Cleaning and Inspection
  - h. Torque Converter Housing with Fluid Pump Assembly Installation
  - i. Input and Output Speed Sensor Installation
  - j. Control Valve Body Assembly Installation
  - k. Control Valve Body Cover Installation
  - l. Torque Converter Installation
  - m. Lift Plate and Holding Fixture Removal
5. Reinstall the transmission. Refer to *Transmission Replacement* by your vehicle and engine/transmission RPO in SI.

#### Dealer Responsibility

Dealers must take the steps necessary to ensure that the service update correction has been made to all involved vehicles in dealer inventory before selling or dealer-trading the vehicle, but no later than July 31, 2025.

All new, used, GM Certified Pre-Owned (CPO), courtesy transportation vehicles, dealer shuttle vehicles, CarBravo, etc. in dealers' possession and subject to this field action must be held and inspected/repared per the service procedure of this bulletin before customers take possession of these vehicles. Involved vehicles must be held and not delivered to customers, dealer-traded, released to auction, used for demonstration, or any other purpose.

All GM Certified Pre-Owned (CPO) vehicles currently in the dealers' inventory within the SHIFT Digital system will be de-certified and must be held and remedied per the service procedure in this bulletin. Upon submitting an accepted/paid

## Service Update

### N242446290 Transmission Clutch Piston Housing



warranty transaction in the Global Warranty Management (GWM) system, the vehicle can be re-certified for sale within the SHIFT Digital system, or once again be used in the Courtesy Transportation Program.

#### Dealer Reports – For USA & Export

The Inventory tab of the Open Vehicle Report will contain Service Update Bulletin VINs that apply to this field action. This information is intended to assist dealers with the **PROMPT COMPLETION** of these vehicles. The Customer In-Service tab will not contain Service Update Bulletin VIN data because the intent of a Service Update Bulletin is to not inconvenience a customer with a special trip for service. Service Update Bulletins are to be completed when the customer is in for a regularly scheduled visit.

---

GM bulletins are intended for use by professional technicians, NOT a "do-it-yourselfer". They are written to inform these technicians of conditions that may occur on some vehicles, or to provide information that could assist in the proper service of a vehicle. Properly trained technicians have the tools, equipment, safety instructions, and know-how to do a job properly and safely. If a condition is described, DO NOT assume that the bulletin applies to your vehicle, or that your vehicle will have that condition. See your dealer for information on whether your vehicle may benefit from the information.



**We Support  
Voluntary Technician  
Certification**