

GENERAL MOTORS
DCS6916
URGENT - DISTRIBUTE IMMEDIATELY

Date: June 13, 2024

Subject: N242446290 - Service Update
Transmission Clutch Piston Housing

Models: 2024 Buick Encore GX
2024 Cadillac XT4, XT5 and XT6
2024 Chevrolet Blazer
2024 Chevrolet Trailblazer
2024 Chevrolet Traverse
2024 Chevrolet Traverse Limited
2024 GMC Acadia
2024 GMC Terrain

General Motors is releasing Service Update N242446290 today.

Vehicles involved in this Service Update were placed in Incomplete Remedy Not Available status on May 13, 2024 and May 24, 2024. Once the service procedure contained in this bulletin has been performed on the vehicle, the vehicle can be delivered to the customer.

What Should Dealers Do: Dealers should review IVH or the Dealer Maxis reports for open VINs in their inventory. Dealers can view the attached bulletin and it will also be displayed in Service Information tomorrow.

The Stock VIN list of vehicles in dealer inventory is attached to this message. Note: this list is only accurate at the time of report creation and all VINs should be validated in IVH prior to repair.

END OF MESSAGE

Service Update

N242446290 Transmission Clutch Piston Housing



Release Date: June 2024

Revision: 00

Attention: Vehicles involved in this Service Update were placed in Incomplete Remedy Not Available status on May 13, 2024 and May 24, 2024. Once the service procedure contained in this bulletin has been performed on the vehicle, the vehicle can be delivered to the customer.

All involved vehicles that are in dealer inventory must be held and not delivered to customers, dealer traded, or used for demonstration purposes until the repair contained in this bulletin has been performed on the vehicle.

This service update involves vehicles in dealer inventory only and will expire July 31, 2025.

Make	Model	Model Year		RPO	Description
		From	To		
Buick	Encore GX	2024	2024		
Cadillac	XT4				
Cadillac	XT5				
Cadillac	XT6				
Chevrolet	Blazer				
Chevrolet	Trailblazer				
Chevrolet	Traverse				
Chevrolet	Traverse Limited				
GMC	Acadia				
GMC	Terrain				

This service update should be performed on vehicles in dealer inventory only. Involved vehicles are marked “Open” on the Investigate Vehicle History screen in GM Global Warranty Management system. This site should always be checked to confirm vehicle involvement prior to beginning any required inspections and/or repairs.

Condition	Certain 2024 model year Buick Encore GX, Cadillac XT4, XT5, XT6, Chevrolet Blazer, Trailblazer, Traverse, Traverse Limited, GMC Acadia and Terrain vehicles may have a condition in which the clutch backing plate retaining ring and/or the clutch piston retaining ring inside the transmission are out of specification.
Correction	Dealers are to replace the clutch piston housing.

Parts

Note: Use the VIN and the GM Electronic Parts Catalog (EPC) to determine which parts and quantities to order for the vehicle you are working on. The parts lists contains parts and quantities for both FWD and AWD variants of each vehicle, and some parts may not be necessary depending on the drivetrain of the vehicle you are repairing.

Blazer

Quantity	Part Name	Part No.
1	SEAL ASM-A/TRNS FLUID PUMP	24268389
1	PISTON ASM-1-2-3-4-5-6 CLU	24050076
2	PLATE-1-2-3-4-5-6 CLU	24267678
1	PLATE-1-2-3-4-5-6 CLU BKG	24267680
1	RING-1-2-3-4-5-6 CLU BKG PLT RET	24267681
1	GASKET-T/CV HSG	24267848
1	SEAL-1-2-3-4-5-6 CLU PSTN INR	24277333
1	RING-2-9 CLU PSTN RET	24280145
1	SPRING-1-2-3-4-5-6 CLU PSTN RTN	24282417
1	SEAL-FLUID TRFER PIPE	24285073
1	SEAL-A/TRNS FLUID TEMP SEN (O RING)	24285336
1	PLATE-1-2-3-4-5-6 CLU (WAVED)	24286803
1	SEAL-CLU FLUID PASG	24288671
2	PLATE ASM-1-2-3-4-5-6 CLU (W/FRICT MATL)	24290714
1	SEAL-1-2-3-4-5-6 CLU PSTN	24297282
4	BOLT/SCREW-DRIVETRAIN & FRT SUSP CRADLE	11547841
2	BOLT/SCREW-TRANS RR MT	11549251
2	BOLT/SCREW-FRT CRADLE BR	11588738
1	CLAMP ASM-EXH PIPE	11603519

Service Update

N242446290 Transmission Clutch Piston Housing



3	BOLT, TRANS RR MT BRKT	11609598
3	BOLT/SCREW-TRANS MT TRANS SI BRKT	11609605
2	WASHER-FRT WHL DRV SHF	11611965
2	NUT-FRT WHL DRV SHF	11612295
As Req	DEXCOOL – ENGINE COOLANT	12346290 US 10953464 CA
1	SEAL-INT MANIF	12648665
1	GASKET-THROT BODY	12652450
1	SEAL-OIL LVL IND TUBE (O RING)	12670252
1	SEAL-VAC PUMP OIL OTLT PIPE	12685956
1	FILTER ASM-OIL	12735608
1	SEAL-TRFER CASE INTER DRV SHF (O-RING)	19132944
1	CLIP-TRFER CASE INTER DRV SHF RET	19132950
As Req	OIL-ENG	19432331 US** 19432456 CA
1	GASKET-EXH MUFF	22816982
2	GASKET-EXH SYS FRT	22997477
2	GASKET-EXH SYS INTER	23161602
1	SEAL-PWR TRFER U INTERFACE (O-RING)	23277803
2	SEAL-PROP SHF TO DIFF CARR INTERFACE (O RING)	23321677
2	RETAINER-PWR TRFER U PROP SHF	23432713
1	SEAL-TRANS FLUID CLR PIPE FTG	25874797
2	SEAL-THROT BODY	55488179
2	SEAL-ENG OIL CLR	55488933
1	GASKET-CTLTC CONV	55502444
2	GASKET-CTLTC CONV	84135650
1	GASKET-EXH SYS INTER	84997134
1	RING-R/AXL SHF RET	90223082
10	FLUID-A/TRANS (DEXRON VI)	88865601 US* 19421425 CA

Trailblazer

Quantity	Part Name	Part No.
1	SEAL ASM-A/TRNS FLUID PUMP	24268389
1	PISTON ASM-1-2-3-4-5-6 CLU	24050076
2	PLATE-1-2-3-4-5-6 CLU	24267678
1	PLATE-1-2-3-4-5-6 CLU BKG	24267680
1	RING-1-2-3-4-5-6 CLU BKG PLT RET	24267681
1	GASKET-T/CV HSG	24267848
1	SEAL-1-2-3-4-5-6 CLU PSTN INR	24277333
1	RING-2-9 CLU PSTN RET	24280145
1	SPRING-1-2-3-4-5-6 CLU PSTN RTN	24282417
1	SEAL-FLUID TRFER PIPE	24285073
1	SEAL-A/TRNS FLUID TEMP SEN (O RING)	24285336
1	PLATE-1-2-3-4-5-6 CLU (WAVED)	24286803
1	SEAL-CLU FLUID PASG	24288671
2	PLATE ASM-1-2-3-4-5-6 CLU (W/FRICT MATL)	24290714
1	SEAL-1-2-3-4-5-6 CLU PSTN	24297282
4	BOLT, ENG MT BRKT	11546406
2	WASHER-FRT WHL DRV SHF	11547142
3	BOLT, ENG MT ENG SI	11547918
2	BOLT, DRIVETRAIN & FRT SUSP CRADLE RR	11549247
2	BOLT, ENG MT	11589276
1	CLAMP ASM-EXH PIPE	11602406
1	BOLT/SCREW-TRANS BR	11603078
3	BOLT, TRANS MT BRKT	11610906
1	BOLT, TRANS MT BRKT	11611268
As Req	DEXCOOL – ENGINE COOLANT	12346290 US

Service Update

N242446290 Transmission Clutch Piston Housing



		10953464 CA
3	GASKET-INT MANIF	12667033
2	SEAL-THROT BODY	12667034
1	SEAL-OIL LVL IND TUBE (O RING)	12670252
1	GASKET-CTLTC CONV	12683614
1	FILTER ASM-OIL	12735608
2	NUT, FRT WHL DRV SHF	13217120
1	SEAL, A/C CNDSR HOSE (PART OF 24) (5/16" INSIDE DIA)	13418807
2	SEAL-A/C CMPR HOSE	13418808
2	SEAL-A/C CMPR HOSE	13418809
1	GASKET-CTLTC CONV	13499082
1	SEAL-TRFER CASE INTER DRV SHF (O-RING)	19132944
1	CLIP-TRFER CASE INTER DRV SHF RET	19132950
As Req	OIL-ENG	19432331 US** 19432456 CA
1	SEAL-PROP SHF TO DIFF CARR INTERFACE (O RING)	23206807
1	RETAINER-PROP SHF TO DIFF CARR INTERFACE	23206808
1	SEAL, PROP SHF TO DIFF CARR INTERFACE (O RING)	23321677
1	RETAINER, PROP SHF TO DIFF CARR INTERFACE	23432713
1	SEAL, PWR TRFER U CVR TO INTER DRV SHF	23432721
1	SEAL-TRANS FLUID CLR PIPE FTG	25874797
3	RING, FRT WHL DRV SHF RET	42721955
1	SEAL, A/C CMPR HOSE (O RING)	90381761
10	FLUID-A/TRANS (DEXRON VI)	88865601 US* 19421425 CA

Traverse Limited

Quantity	Part Name	Part No.
1	PISTON ASM-1-2-3-4-5-6 CLU	24050076
1	SEAL ASM-A/TRNS FLUID PUMP	24268389
2	PLATE-1-2-3-4-5-6 CLU	24267678
1	PLATE-1-2-3-4-5-6 CLU BKG	24267680
1	RING-1-2-3-4-5-6 CLU BKG PLT RET	24267681
1	GASKET-T/CV HSG	24267848
1	SEAL-1-2-3-4-5-6 CLU PSTN INR	24277333
1	RING-2-9 CLU PSTN RET	24280145
1	SPRING-1-2-3-4-5-6 CLU PSTN RTN	24282417
1	SEAL-FLUID TRFER PIPE	24285073
1	SEAL-A/TRNS FLUID TEMP SEN (O RING)	24285336
1	PLATE-1-2-3-4-5-6 CLU (WAVED)	24286803
1	SEAL-CLU FLUID PASG	24288671
2	PLATE ASM-1-2-3-4-5-6 CLU (W/FRICT MATL)	24290714
1	SEAL-1-2-3-4-5-6 CLU PSTN	24297282
4	BOLT/SCREW-DRIVETRAIN & FRT SUSP CRADLE	11547841
2	BOLT/SCREW-TRANS RR MT	11549251
2	BOLT/SCREW-FRT CRADLE BR	11588739
3	BOLT, TRANS RR MT BRKT	11609598
3	BOLT/SCREW-TRANS MT TRANS SI BRKT	11609605
2	WASHER-FRT WHL DRV SHF	11611965
2	NUT-FRT WHL DRV SHF	11612295
1	SEAL-TRFER CASE INTER DRV SHF (O-RING)	19132944
1	CLIP-TRFER CASE INTER DRV SHF RET	19132950
1	GASKET-EXH MUFF	22816982
1	SEAL-PWR TRFER U INTERFACE (O-RING)	23277803
2	SEAL-PROP SHF TO DIFF CARR INTERFACE (O RING)	23321677
2	RETAINER-PWR TRFER U PROP SHF	23432713
2	GASKET-CTLTC CONV	84135650
1	RING-R/AXL SHF RET	90223082

Service Update

N242446290 Transmission Clutch Piston Housing



10	FLUID-A/TRANS (DEXRON VI)	88865601 US* 19421425 CA
----	---------------------------	-----------------------------

XT4

Quantity	Part Name	Part No.
1	PISTON ASM-1-2-3-4-5-6 CLU	24050076
1	SEAL ASM-A/TRNS FLUID PUMP	24268389
2	PLATE-1-2-3-4-5-6 CLU	24267678
1	PLATE-1-2-3-4-5-6 CLU BKG	24267680
1	RING-1-2-3-4-5-6 CLU BKG PLT RET	24267681
1	GASKET-T/CV HSG	24267848
1	SEAL-1-2-3-4-5-6 CLU PSTN INR	24277333
1	RING-2-9 CLU PSTN RET	24280145
1	SPRING-1-2-3-4-5-6 CLU PSTN RTN	24282417
1	SEAL-FLUID TRFER PIPE	24285073
1	SEAL-A/TRNS FLUID TEMP SEN (O RING)	24285336
1	PLATE-1-2-3-4-5-6 CLU (WAVED)	24286803
1	SEAL-CLU FLUID PASG	24288671
2	PLATE ASM-1-2-3-4-5-6 CLU (W/FRICT MATL)	24290714
1	SEAL-1-2-3-4-5-6 CLU PSTN	24297282
4	BOLT/SCREW-TRANS MT TRANS SI	11547918
4	BOLT/SCREW-TORS BAR SUPT	11561299
2	BOLT, TRANS MT	11589275
1	CLAMP ASM-EXH PIPE	11603519
3	BOLT, TRANS RR MT BRKT	11611642
2	BOLT, TRANS MT STRUT BRKT	11611642
2	WASHER-FRT WHL DRV SHF	11611965
1	RING-R/AXL SHF RET	90223082
2	NUT-FRT WHL DRV SHF	11612295
As Req	DEXCOOL – ENGINE COOLANT	12346290 US 10953464 CA
1	SEAL-OIL LVL IND TUBE (O RING)	12670252
1	FILTER ASM-OIL	12735608
1	SEAL-TRFER CASE INTER DRV SHF (O-RING)	19132944
1	CLIP-TRFER CASE INTER DRV SHF RET	19132950
As Req	OIL-ENG	19432331 US ** 19432456 CA
2	GASKET, CTLTC CONV	22816982
1	SEAL-PROP SHF TO DIFF CARR INTERFACE (O RING)	23206807
1	RETAINER-PROP SHF TO DIFF CARR INTERFACE	23206808
1	SEAL, PROP SHF TO DIFF CARR INTERFACE (O RING)	23321677
1	RETAINER, PROP SHF TO DIFF CARR INTERFACE	23432713
1	SEAL, FRT WHL DRV INTER SHF	25824167
3	SEAL-TRANS FLUID CLR PIPE FTG	25874797
2	SEAL-THROT BODY	55488179
2	SEAL-ENG OIL CLR	55488933
1	GASKET-CTLTC CONV	55502444
1	SEAL-PWR TRFER U FACE	84297549
1	GASKET-EXH SYS INTER	84997134
1	RING-FRT WHL DRV SHF RET	90121202
10	FLUID-A/TRANS (DEXRON VI)	88865601 US* 19421425 CA

Service Update

N242446290 Transmission Clutch Piston Housing



XT5

Quantity	Part Name	Part No.
1	PISTON ASM-1-2-3-4-5-6 CLU	24050076
1	SEAL ASM-A/TRNS FLUID PUMP	24268389
2	PLATE-1-2-3-4-5-6 CLU	24267678
1	PLATE-1-2-3-4-5-6 CLU BKG	24267680
1	RING-1-2-3-4-5-6 CLU BKG PLT RET	24267681
1	GASKET-T/CV HSG	24267848
1	SEAL-1-2-3-4-5-6 CLU PSTN INR	24277333
1	RING-2-9 CLU PSTN RET	24280145
1	SPRING-1-2-3-4-5-6 CLU PSTN RTN	24282417
1	SEAL-FLUID TRFER PIPE	24285073
1	SEAL-A/TRNS FLUID TEMP SEN (O RING)	24285336
1	PLATE-1-2-3-4-5-6 CLU (WAVED)	24286803
1	SEAL-CLU FLUID PASG	24288671
2	PLATE ASM-1-2-3-4-5-6 CLU (W/FRICT MATL)	24290714
1	SEAL-1-2-3-4-5-6 CLU PSTN	24297282
4	BOLT/SCREW-DRIVETRAIN & FRT SUSP CRADLE	11547841
2	BOLT/SCREW-TRANS RR MT	11549251
2	BOLT/SCREW-FRT CRADLE BR	11588739
1	CLAMP ASM-EXH PIPE	11603519
3	BOLT, TRANS RR MT BRKT	11609598
2	WASHER-FRT WHL DRV SHF	11611965
2	NUT-FRT WHL DRV SHF	11612295
As Req	DEXCOOL – ENGINE COOLANT	12346290 US 10953464 CA
1	SEAL-OIL LVL IND TUBE (O RING)	12670252
1	SEAL-VAC PUMP OIL OTLT PIPE	12685956
1	FILTER ASM-OIL	12735608
1	SEAL-TRFER CASE INTER DRV SHF (O-RING)	19132944
1	CLIP-TRFER CASE INTER DRV SHF RET	19132950
As Req	OIL-ENG	19432331 US ** 19432456 CA
1	GASKET-EXH MUFF	22816982
2	GASKET-EXH SYS FRT	22997477
2	GASKET-EXH SYS INTER	23161602
1	SEAL-PWR TRFER U INTERFACE (O-RING)	23277803
2	SEAL-PROP SHF TO DIFF CARR INTERFACE (O RING)	23321677
2	RETAINER-PWR TRFER U PROP SHF	23432713
1	SEAL-TRANS FLUID CLR PIPE FTG	25874797
3	SEAL-TRANS FLUID CLR PIPE FTG	25874797
2	SEAL-THROT BODY	55488179
2	SEAL-ENG OIL CLR	55488933
1	GASKET-CTLTC CONV	55502444
2	GASKET-CTLTC CONV	84135650
1	GASKET-EXH SYS INTER	84997134
1	RING-R/AXL SHF RET	90223082
3	BOLT/SCREW-TRANS MT TRANS SI BRKT	11609605
10	FLUID-A/TRANS (DEXRON VI)	88865601 US* 19421425 CA

XT6

Quantity	Part Name	Part No.
1	PISTON ASM-1-2-3-4-5-6 CLU	24050076
1	SEAL ASM-A/TRNS FLUID PUMP	24268389
2	PLATE-1-2-3-4-5-6 CLU	24267678
1	PLATE-1-2-3-4-5-6 CLU BKG	24267680
1	RING-1-2-3-4-5-6 CLU BKG PLT RET	24267681

Service Update

N242446290 Transmission Clutch Piston Housing



1	GASKET-T/CV HSG	24267848
1	SEAL-1-2-3-4-5-6 CLU PSTN INR	24277333
1	RING-2-9 CLU PSTN RET	24280145
1	SPRING-1-2-3-4-5-6 CLU PSTN RTN	24282417
1	SEAL-FLUID TRFER PIPE	24285073
1	SEAL-A/TRNS FLUID TEMP SEN (O RING)	24285336
1	PLATE-1-2-3-4-5-6 CLU (WAVED)	24286803
1	SEAL-CLU FLUID PASG	24288671
2	PLATE ASM-1-2-3-4-5-6 CLU (W/FRICT MATL)	24290714
1	SEAL-1-2-3-4-5-6 CLU PSTN	24297282
4	BOLT/SCREW-DRIVETRAIN & FRT SUSP CRADLE	11547841
2	BOLT/SCREW-TRANS RR MT	11549251
2	BOLT/SCREW-FRT CRADLE BR	11588739
1	CLAMP ASM-EXH PIPE	11603519
3	BOLT, TRANS RR MT BRKT	11609598
2	WASHER-FRT WHL DRV SHF	11611965
2	NUT-FRT WHL DRV SHF	11612295
As Req	DEXCOOL – ENGINE COOLANT	12346290 US 10953464 CA
1	SEAL-OIL LVL IND TUBE (O RING)	12670252
1	SEAL-VAC PUMP OIL OTLT PIPE	12685956
1	FILTER ASM-OIL	12735608
1	SEAL-TRFER CASE INTER DRV SHF (O-RING)	19132944
1	CLIP-TRFER CASE INTER DRV SHF RET	19132950
As Req	OIL-ENG	19432331 US ** 19432456 CA
1	GASKET-EXH MUFF	22816982
2	GASKET-EXH SYS FRT	22997477
2	GASKET-EXH SYS INTER	23161602
1	SEAL-PWR TRFER U INTERFACE (O-RING)	23277803
2	SEAL-PROP SHF TO DIFF CARR INTERFACE (O RING)	23321677
2	RETAINER-PWR TRFER U PROP SHF	23432713
1	SEAL-TRANS FLUID CLR PIPE FTG	25874797
3	SEAL-TRANS FLUID CLR PIPE FTG	25874797
2	SEAL-THROT BODY	55488179
2	SEAL-ENG OIL CLR	55488933
1	GASKET-CTLTC CONV	55502444
2	GASKET-CTLTC CONV	84135650
1	GASKET-EXH SYS INTER	84997134
3	BOLT/SCREW-TRANS MT TRANS SI BRKT	11609605
1	RING-R/AXL SHF RET	90223082
10	FLUID-A/TRANS (DEXRON VI)	88865601 US* 19421425 CA

Terrain

Quantity	Part Name	Part No.
1	PISTON ASM-1-2-3-4-5-6 CLU	24050076
1	SEAL ASM-A/TRNS FLUID PUMP	24268389
2	PLATE-1-2-3-4-5-6 CLU	24267678
1	PLATE-1-2-3-4-5-6 CLU BKG	24267680
1	RING-1-2-3-4-5-6 CLU BKG PLT RET	24267681
1	GASKET-T/CV HSG	24267848
1	SEAL-1-2-3-4-5-6 CLU PSTN INR	24277333
1	RING-2-9 CLU PSTN RET	24280145
1	SPRING-1-2-3-4-5-6 CLU PSTN RTN	24282417
1	SEAL-FLUID TRFER PIPE	24285073
1	SEAL-A/TRNS FLUID TEMP SEN (O RING)	24285336
1	PLATE-1-2-3-4-5-6 CLU (WAVED)	24286803

Service Update

N242446290 Transmission Clutch Piston Housing



1	SEAL-CLU FLUID PASG	24288671
2	PLATE ASM-1-2-3-4-5-6 CLU (W/FRICT MATL)	24290714
1	SEAL-1-2-3-4-5-6 CLU PSTN	24297282
1	BOLT/SCREW-TRANS MT STRUT RR	11546386
2	WASHER-FRT WHL DRV SHF	11547142
4	BOLT/SCREW-TRANS MT TRANS SI	11547918
2	BOLT/SCREW-FRT CRADLE BR	11588738
1	BOLT/SCREW-TRANS MT STRUT	11609598
4	BOLT, TRANS MT STRUT BRKT	11610904
4	BOLT/SCREW-TRANS MT STRUT BRKT	11610906
1	BOLT/SCREW-TRANS MT STRUT RR	11610916
2	NUT, FRT WHL DRV SHF	11611687
1	GASKET-THROT BODY	12637017
1	GASKET-INT MANIF	12637018
1	GASKET-CTLTC CONV	12641115
1	CLAMP ASM-EXH PIPE	12643268
1	SEAL-TRFER CASE INTER DRV SHF (O-RING)	19132944
1	CLIP-TRFER CASE INTER DRV SHF RET	19132950
1	GASKET-EXH MUFF	22816982
2	SEAL-PROP SHF TO DIFF CARR INTERFACE (O RING)	23206807
2	RETAINER-PROP SHF TO DIFF CARR INTERFACE	23206808
1	GASKET-EXH SYS FRT	23238284
1	SEAL-PWR TRFER U FACE	84297549
1	RING-FRT WHL DRV SHF RET	90121202
1	PLUG, A/TRNS FLUID PAN DRN	08654382
10	FLUID-A/TRANS (DEXRON VI)	88865601 US* 19421425 CA

Encore GX

Quantity	Part Name	Part No.
1	PISTON ASM-1-2-3-4-5-6 CLU	24050076
1	SEAL ASM-A/TRNS FLUID PUMP	24268389
2	PLATE-1-2-3-4-5-6 CLU	24267678
1	PLATE-1-2-3-4-5-6 CLU BKG	24267680
1	RING-1-2-3-4-5-6 CLU BKG PLT RET	24267681
1	GASKET-T/CV HSG	24267848
1	SEAL-1-2-3-4-5-6 CLU PSTN INR	24277333
1	RING-2-9 CLU PSTN RET	24280145
1	SPRING-1-2-3-4-5-6 CLU PSTN RTN	24282417
1	SEAL-FLUID TRFER PIPE	24285073
1	SEAL-A/TRNS FLUID TEMP SEN (O RING)	24285336
1	PLATE-1-2-3-4-5-6 CLU (WAVED)	24286803
1	SEAL-CLU FLUID PASG	24288671
2	PLATE ASM-1-2-3-4-5-6 CLU (W/FRICT MATL)	24290714
1	SEAL-1-2-3-4-5-6 CLU PSTN	24297282
4	BOLT, ENG MT BRKT	11546406
2	WASHER-FRT WHL DRV SHF	11547142
3	BOLT, ENG MT ENG SI	11547918
2	BOLT, DRIVETRAIN & FRT SUSP CRADLE RR	11549247
3	BOLT/SCREW-TRANSAXLE T/CV	11588468
2	BOLT, ENG MT	11589276
1	CLAMP ASM-EXH PIPE	11602406
1	BOLT/SCREW-TRANS BR	11603078
1	BOLT/SCREW-ENG MT STRUT ENG SI BRKT	11603079
3	BOLT, TRANS MT BRKT	11610906
1	BOLT, TRANS MT BRKT	11611268
2	NUT, FRT WHL DRV SHF	11611687
As Req	DEXCOOL – ENGINE COOLANT	12346290 US

Service Update

N242446290 Transmission Clutch Piston Housing



		10953464 CA
3	GASKET-INT MANIF	12667033
2	SEAL-THROT BODY	12667034
1	SEAL-OIL LVL IND TUBE (O RING)	12670252
1	GASKET-CTLTC CONV	12683614
2	SEAL-A/C CMPR HOSE	13418808
2	SEAL-A/C CMPR HOSE	13418809
1	GASKET-CTLTC CONV	13499082
1	SEAL-TRFER CASE INTER DRV SHF (O-RING)	19132944
1	CLIP-TRFER CASE INTER DRV SHF RET	19132950
As Req	OIL-ENG	19432331 US ** 19432456 CA
1	SEAL-PROP SHF TO DIFF CARR INTERFACE (O RING)	23206807
1	RETAINER-PROP SHF TO DIFF CARR INTERFACE	23206808
1	SEAL, PROP SHF TO DIFF CARR INTERFACE (O RING)	23321677
1	RETAINER, PROP SHF TO DIFF CARR INTERFACE	23432713
3	SEAL-TRANS FLUID CLR PIPE FTG	25874797
1	RING, FRT WHL DRV SHF RET	42721955
1	SEAL, PWR TRFER U FACE	84501585
10	FLUID-A/TRANS (DEXRON VI)	88865601 US* 19421425 CA

Traverse/Acadia with GF8 Transmission

Quantity	Part Name	Part No.
1	PISTON ASM-1-2-3-4-5-6 CLU	24050076
1	SEAL ASM-A/TRNS FLUID PUMP	24268389
2	PLATE-1-2-3-4-5-6 CLU	24267678
1	PLATE-1-2-3-4-5-6 CLU BKG	24267680
1	RING-1-2-3-4-5-6 CLU BKG PLT RET	24267681
1	GASKET-T/CV HSG	24267848
1	SEAL-1-2-3-4-5-6 CLU PSTN INR	24277333
1	RING-2-9 CLU PSTN RET	24280145
1	SPRING-1-2-3-4-5-6 CLU PSTN RTN	24282417
1	SEAL-FLUID TRFER PIPE	24285073
1	SEAL-A/TRNS FLUID TEMP SEN (O RING)	24285336
1	PLATE-1-2-3-4-5-6 CLU (WAVED)	24286803
1	SEAL-CLU FLUID PASG	24288671
2	PLATE ASM-1-2-3-4-5-6 CLU (W/FRICT MATL)	24290714
1	SEAL-1-2-3-4-5-6 CLU PSTN	24297282
1	BOLT/SCREW,TRANS FRT MT (TRANS SI)TOP & BOTTOM	11546405
4	BOLT, DRIVETRAIN & FRT SUSP CRADLE	11547841
2	BOLT, TRANS RR MT	11549251
3	BOLT, FRT WHL DRV INTER SHF BRKT	11588728
2	BOLT/SCREW,TRANS FRT MT (TRANS SI)MIDDLE	11588747
3	BOLT/SCREW,TRANS RR MT BRKT	11609598
3	BOLT/SCREW,TRANS RR MT BRKT	11609605
2	WASHER, FRT WHL DRV SHF	11611965
2	NUT, FRT WHL DRV SHF	11612295
1	GASKET, TURBO EXH PIPE	12739848
1	SEAL, PWR TRFER U HALF SHF (O-RING)	19132944
1	CLIP, PWR TRFER U HALF SHF RET	19132950
1	SEAL, PWR TRFER U INTERFACE (O-RING)	23277803
2	SEAL, PWR TRFER U PROP SHF (O RING)	23321677
2	RETAINER, PROP SHF TO DIFF CARR INTERFACE	23432713
1	CLIP,DIFF OIL CLR INL HOSE	24205103
3	SEAL, TRANS FLUID CLR	25874797
1	GASKET, EXH SYS RR	26381263
1	GASKET, EXH SYS INTER	26416290

Service Update

N242446290 Transmission Clutch Piston Housing



1	SEAL KIT,PWR TRFER U INTER DRV SHF	85634029
1	RING, FRT WHL DRV SHF RET	90223082
10	FLUID-A/TRANS (DEXRON VI)	88865601 US* 19421425 CA

* Obtain locally in compliance w/ GM spec GMW16444.

** Obtain locally in compliance w/ GM spec GMW18144.

Reminder: Parts may be removed from SPRINT and Retail Inventory Management (RIM) and be non-returnable. Dealers should review the affected parts to confirm RIM managed status. Parts may have quantity limiters in effect. Please continue to refer to your “involved vehicles listing” before ordering parts, due to limited initial parts availability **dealers are asked not to order recall parts for use as shelf stock**. Only order for VIN's in your control.

Warranty Information

Labor Operation	Description	Labor Time	Trans. Type	Net Item
9107430	1-Reverse and 1-2-3-4-5-6 Clutch Piston Housing Overhaul			
	Blazer			
	LGX AWD	13.1		
	LGX FWD	10.9		
	LSY AWD	14.0		
	Trailblazer			
	M3F AWD	12.7		
	Traverse Limited			
	LFY AWD	15.6		
	LFY FWD	10.0		
	XT4			
	M3H AWD	18.7		
	M3H FWD	15.2		
	XT5			
	LGX AWD	10.1	ZFAT	N/A
	LGX FWD	9.6		
	XT6			
	LGX AWD	14.8		
	LGX FWD	12.0		
	Terrain			
	M3U AWD	11.9		
	M3U FWD	10.7		
	Encore GX			
	M3F AWD	12.7		
	Acadia/Traverse			
	FWD	11.1		
	AWD	12.7		
	ALL OTHER VEHICLE / RPO COMBINATIONS	ST		
9107433	Floor Plan Reimbursement – NEW INVENTORY ONLY	N/A	ZFAT	*

Note: To avoid having to “H” route the floor plan transaction for approval, it must be submitted prior to the repair transaction.

Floor Plan Reimbursement – NEW INVENTORY ONLY

* **USA & Canada Dealers Only** - For vehicles eligible for floor plan reimbursement, the amount should be submitted in Net Item/Miscellaneous. This amount should represent the product of the vehicle's average daily interest rate (see table below) multiplied by the actual number of days the vehicle was in dealer inventory and not available for sale. This reimbursement is limited to the number of days from the date of the “Incomplete Remedy Not Available” message **May 13, 2024 OR May 24, 2024** (as shown in IVH) to the date the VIN was placed in “open” status in IVH. (Maximum Number of days for Floor Plan is calculated from the “Release Date” on VINs in “Open” Status in IVH, and will be adjusted if additional releases occur.

Service Update

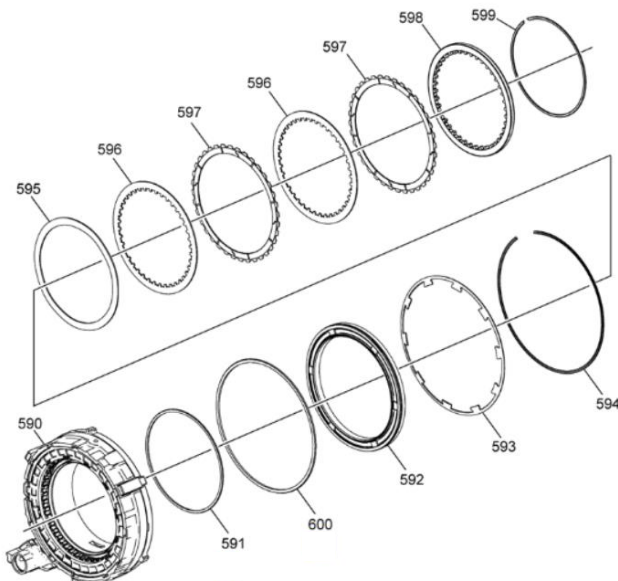
N242446290 Transmission Clutch Piston Housing



Vehicle	Floor Plan Reimbursement Amount	
	USA	Canada
2024 Buick Encore GX	\$10.18	\$6.91
2024 Cadillac XT4	\$15.42	\$10.46
2024 Cadillac XT5	\$18.33	\$11.61
2024 Cadillac XT6	\$20.12	\$13.67
2024 Chevrolet Blazer	\$14.40	\$10.58
2024 Chevrolet Trailblazer	\$8.29	\$6.47
2024 Chevrolet Traverse	\$14.37	\$10.15
2024 Chevrolet Traverse Limited	\$14.37	\$11.44
2024 GMC Acadia	\$15.45	\$12.63
2024 GMC Terrain	\$11.99	\$7.81

Service Procedure

1. Remove the transmission. Refer to *Transmission Replacement* by your vehicle and engine/transmission RPO in SI.
2. Remove the 1-Reverse and 1-2-3-4-5-6 Clutch Piston Housing. Refer to the below documents from the 'Off Vehicle Repair' section in order.
 - a. Lift Plate and Holding Fixture Installation
 - b. Torque Converter Removal
 - c. Control Valve Body Cover Removal
 - d. Control Valve Body Assembly Removal
 - e. Input and Output Speed Sensor Removal
 - f. Torque converter Housing with Fluid Pump Assembly Removal
 - g. Front Differential Carrier Removal
 - h. Drive and Driven Sprocket, Drive Link, and Park Pawl Removal
 - i. Refer to *Internal Components Removal* in SI, stopping at step 4.
 - j. 1-Reverse and 1-2-3-4-5-6 Clutch Piston Housing Disassemble



6675586

Important: It is critical that all parts labeled 591-600 MUST be replaced.

Service Update

N242446290 Transmission Clutch Piston Housing



3. Assemble the provided new parts into the 1-Reverse and 1-2-3-4-5-6 Clutch Piston Housing assembly. Refer to *1-Reverse and 1-2-3-4-5-6 Clutch Piston Housing Assemble* in SI.
4. Install the reassembled 1-Reverse and 1-2-3-4-5-6 Clutch Piston Housing in the transmission. Refer to the below documents from the 'Off Vehicle Repair' section in order.
 - a. 1-Reverse and 1-2-3-4-5-6 Clutch Piston Housing Installation
 - b. Output Sun Gear Installation
 - c. Drive Sprocket, Driven Sprocket, and Drive Link Cleaning and Inspection
 - d. Drive and Driven Sprocket, Drive Link, and Park Pawl Installation
 - e. Front Differential Carrier Cleaning and Inspection
 - f. Front Differential Carrier Installation
 - g. Torque Converter and Differential Housing Cleaning and Inspection
 - h. Torque Converter Housing with Fluid Pump Assembly Installation
 - i. Input and Output Speed Sensor Installation
 - j. Control Valve Body Assembly Installation
 - k. Control Valve Body Cover Installation
 - l. Torque Converter Installation
 - m. Lift Plate and Holding Fixture Removal
5. Reinstall the transmission. Refer to *Transmission Replacement* by your vehicle and engine/transmission RPO in SI.

Dealer Responsibility

Dealers must take the steps necessary to ensure that the service update correction has been made to all involved vehicles in dealer inventory before selling or dealer-trading the vehicle, but no later than July 31, 2025.

All new, used, GM Certified Pre-Owned (CPO), courtesy transportation vehicles, dealer shuttle vehicles, CarBravo, etc. in dealers' possession and subject to this field action must be held and inspected/repared per the service procedure of this bulletin before customers take possession of these vehicles. Involved vehicles must be held and not delivered to customers, dealer-traded, released to auction, used for demonstration, or any other purpose.

All GM Certified Pre-Owned (CPO) vehicles currently in the dealers' inventory within the SHIFT Digital system will be de-certified and must be held and remedied per the service procedure in this bulletin. Upon submitting an accepted/paid warranty transaction in the Global Warranty Management (GWM) system, the vehicle can be re-certified for sale within the SHIFT Digital system, or once again be used in the Courtesy Transportation Program.

Dealer Reports – For USA & Export

The Inventory tab of the Open Vehicle Report will contain Service Update Bulletin VINs that apply to this field action. This information is intended to assist dealers with the **PROMPT COMPLETION** of these vehicles. The Customer In-Service tab will not contain Service Update Bulletin VIN data because the intent of a Service Update Bulletin is to not inconvenience a customer with a special trip for service. Service Update Bulletins are to be completed when the customer is in for a regularly scheduled visit.

GM bulletins are intended for use by professional technicians, NOT a "do-it-yourselfer". They are written to inform these technicians of conditions that may occur on some vehicles, or to provide information that could assist in the proper service of a vehicle. Properly trained technicians have the tools, equipment, safety instructions, and know-how to do a job properly and safely. If a condition is described, **DO NOT** assume that the bulletin applies to your vehicle, or that your vehicle will have that condition. See your dealer for information on whether your vehicle may benefit from the information.



**We Support
Voluntary Technician
Certification**