



## STAR ONLINE PUBLICATION



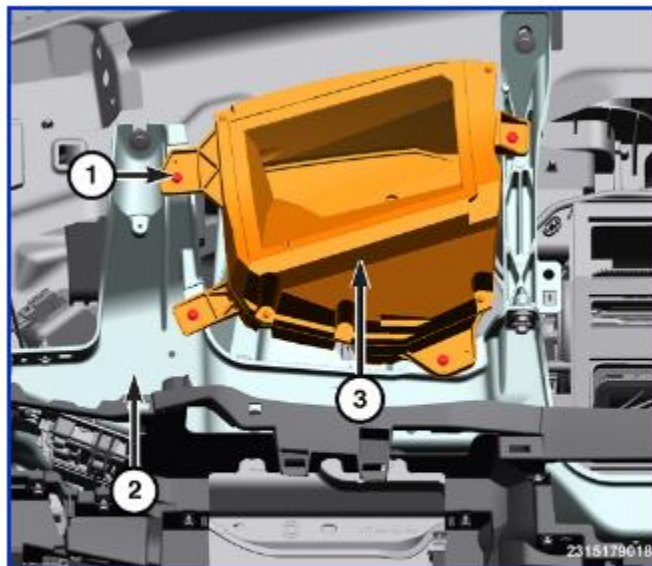
**Case Number:** S2423000030

**Release Date:** June 2024

**Symptom/Vehicle Issue:** Buzz Squeak Rattle (BSR) From Upper Left Dash Area.

**Customer Complaint/Technician Observation:** Customer may describe a noise that sounds like radio static or a light rattle. Noise could be intermittent and only on rough surface roads.

**Discussion:** Attempt to duplicate the noise with the radio off. If the condition is still there with no audio input, examine the heads up display (HUD) fastener clips. The clips may be installed on vehicles without the HUD option. Refer to Service Library 08 - Electrical / 8J - Instrument Cluster / DISPLAY, Heads Up / Removal and Installation.



- 1 - Fasteners
- 2 - Instrument Panel Carrier
- 3 - Heads Up Display (HUD) Module

This document does not authorize warranty repairs. This communication documents a record of past experiences. STAR Online does not provide any conclusions about what is wrong with the vehicle. Rather, it captures all previous cases known that appear to be similar or related to the vehicle symptom / condition. You are the expert, and you are responsible for deciding on the appropriate course of action.

**Contact STAR Center, or your Technical Assistance Center Via TechConnect, eCONTACT or Service Library entry if no solution is found.**