

31-032 SRRR Bracket Assembly Replacement

PB-31-032-FTL

Creation Date:2024-03-21

Last Revision Date:2024-05-20

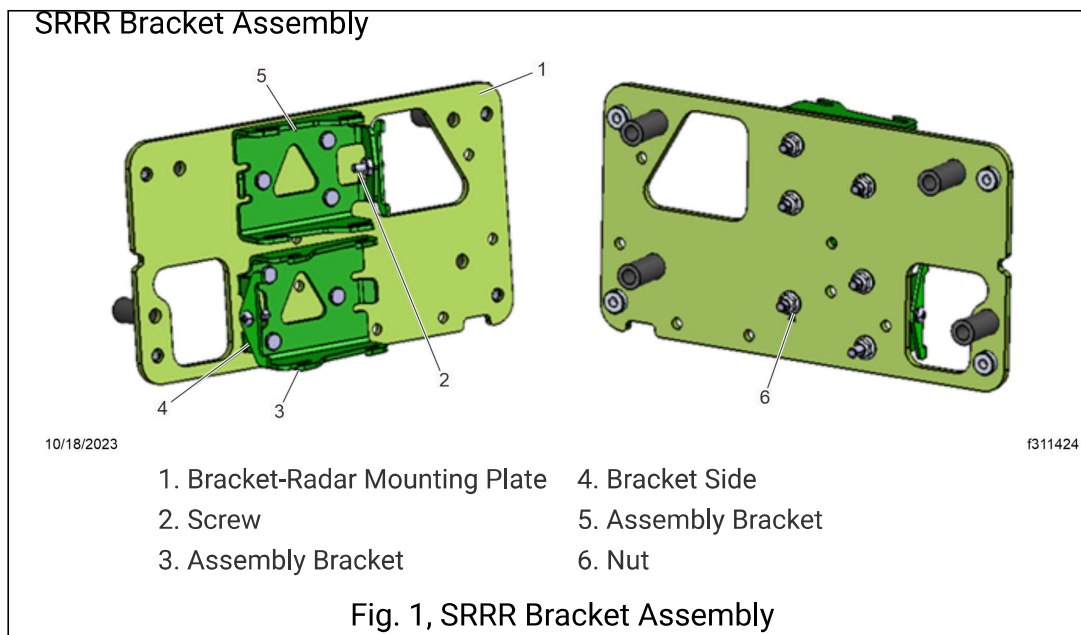
Engine or Vehicle Affected:

►eCascadia

Description of Revisions: This bulletin replaces the version dated 03/21/2024. The service model code has been updated.

General Information

Short range radar right (SRRR) bracket assembly (A66-28620-000) is no longer available and has been replaced by a new design that may require replacement with a collection of parts found in BOM 73S-C00102. See figure [1](#).



Replacement Parts

For a list of replacement parts, see table [1](#).

Table 1, SRRR Bracket Assembly

| Old Part Number | New Part Number | Description | Quantity |
|-----------------|-----------------|---------------------------|----------|
| A66-28620-000 | A66-16055-000 | ASSY, BRKT - DAIMLER SRRR | 1 |
| | A66-21789-001 | BRKT-Radar MNT Plate | 1 |
| | 66-02906-001 | BRKT Side, DAIMLER SRRR | 2 |
| | A66-16055-001 | ASSY BRKT- DAIMLER SRRR | 1 |
| | 23-12643-716 | Screw | 2 |
| | 913023 006002 | Nut | 6 |

Table 1, SRRR Bracket Assembly

Note:

F38,F40

CONTACT INFORMATION

For questions, please create a Service Technical Request using the DTTS Application on the DTNA Portal.

Document Number:0000075720