



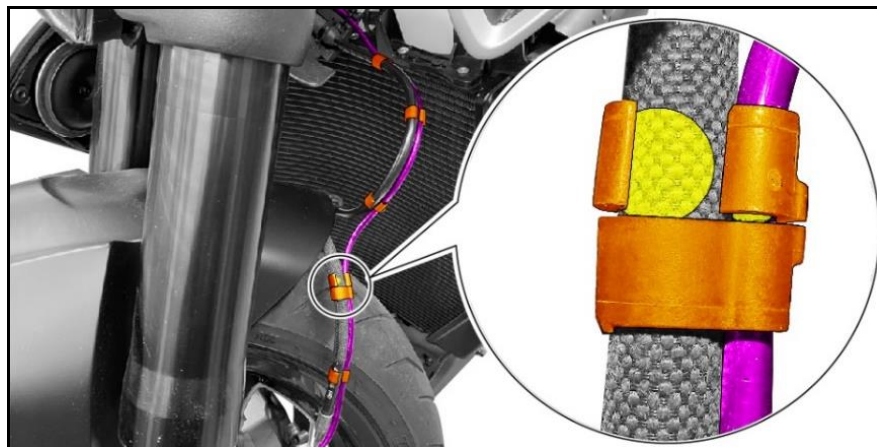
CR270 – Front Speed Sensor Cable Fixing Update

Diavel V4 Model Year 2023-2024 (all versions)
Technical Service Bulletin SRV-TSB-24-007

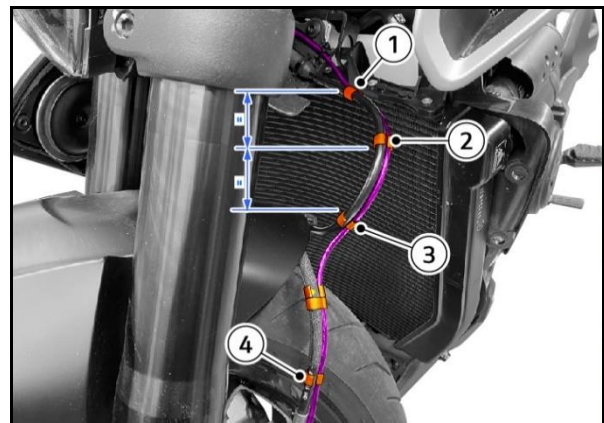
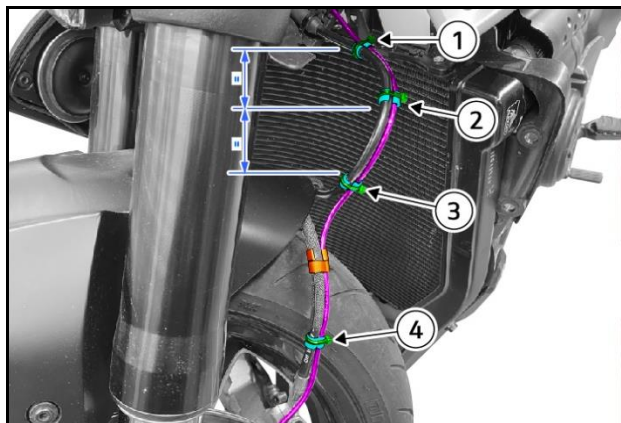
Date: April 18, 2024
To: Dealer Principal, General Manager, Service Manager, North American Dealer Network
From: Richard Kenton, Technical Director
Dan Schwartz, Service Area Manager

Dear Dealers,

Ongoing quality inspections revealed the need to update the fixing of the Front Speed Sensor Cable to the Front Brake Hose. At a specific point of the fixing, **it is necessary to add 2 clips part no. 75812072A opposite each other.**



At the same time as this update, we ask you to check the correct positioning of all clips fixing the front speed sensor cable to the front brake hose.





CR270 – Front Speed Sensor Cable Fixing Update

Diavel V4 Model Year 2023-2024 (all versions)

Technical Service Bulletin SRV-TSB-24-007



NOTE

- The first batch of motorcycles produced, up to frame numbers ZDM3G00AARB002757 (DMH) and ML03G00AART000253 (DMT), the front speed sensor cable is secured with clips and small self-locking ties.
- The next batch of motorcycles produced, from frame numbers ZDM3G00AARB002758 (DMH) and ML03G00AART000254 (DMT), the front speed sensor cable is secured with the clips, without self-locking ties.

It is therefore important to emphasize that regardless of the type of fixing (with or without self-locking ties), the front speed sensor cable fixing layout and the relative position of the cable rings remain unchanged.

Contents

	Page
Introduction	1
Contents	2
Application	2
Client Impact	3
Spare Parts	3
Warranty Reimbursement Rules	3
Service Solution	4

Application

You can find the precise list of frame numbers involved in CR270 on the DCS, in sections:

VIN HISTORY		It is possible to search by individual frame number.
CAMPAIGNS		It is possible to search for all the frame numbers that you received from Ducati Motor Holding.



CR270 – Front Speed Sensor Cable Fixing Update

Diavel V4 Model Year 2023-2024 (all versions)


Technical Service Bulletin SRV-TSB-24-007

Client Impact

All motorcycles in your inventory (to be registered or already registered) and to be delivered to final Clients must be updated during pre-delivery operations and always before delivery to the final Client. All motorcycles already delivered to final Clients must undergo this inspection as soon as they come to your workshop. Note: this is NOT a safety recall.

Spare parts

The components to be used for this update are:

PART NO.	COMPONENT	IMAGE	QUANTITY
75812072A	ABS sensor wiring cable ring		2

The availability of spare clip part no. 75812072A is currently limited, so please order only the necessary spare parts at this early stage.

Warranty Reimbursement Rules

Reimbursement for work associated with this Workshop Campaign will be made through the regular warranty claim procedure using the “VIN History” section of the DCS.

The warranty claim is pre-filled and identified as CR270.

	Description	Operations	Labor
Repair	Cable Fixing Update	- install the cable rings - check position of the other cable fasteners	██████████ ██████████)

Operation includes reimbursement for the parts listed for the operation, consumables for carrying out the work; and labor for (██████████ ██████████) that includes the time necessary for:

- Vehicle reception
- Part number 75812072A ABS sensor wiring cable rings
- The time for installing the cable ring and checking the correct position of the other cable rings/ties.
- Compensation of consumables
- Soft cleaning of the vehicle
- Time for filling in the warranty claim



CR270 – Front Speed Sensor Cable Fixing Update

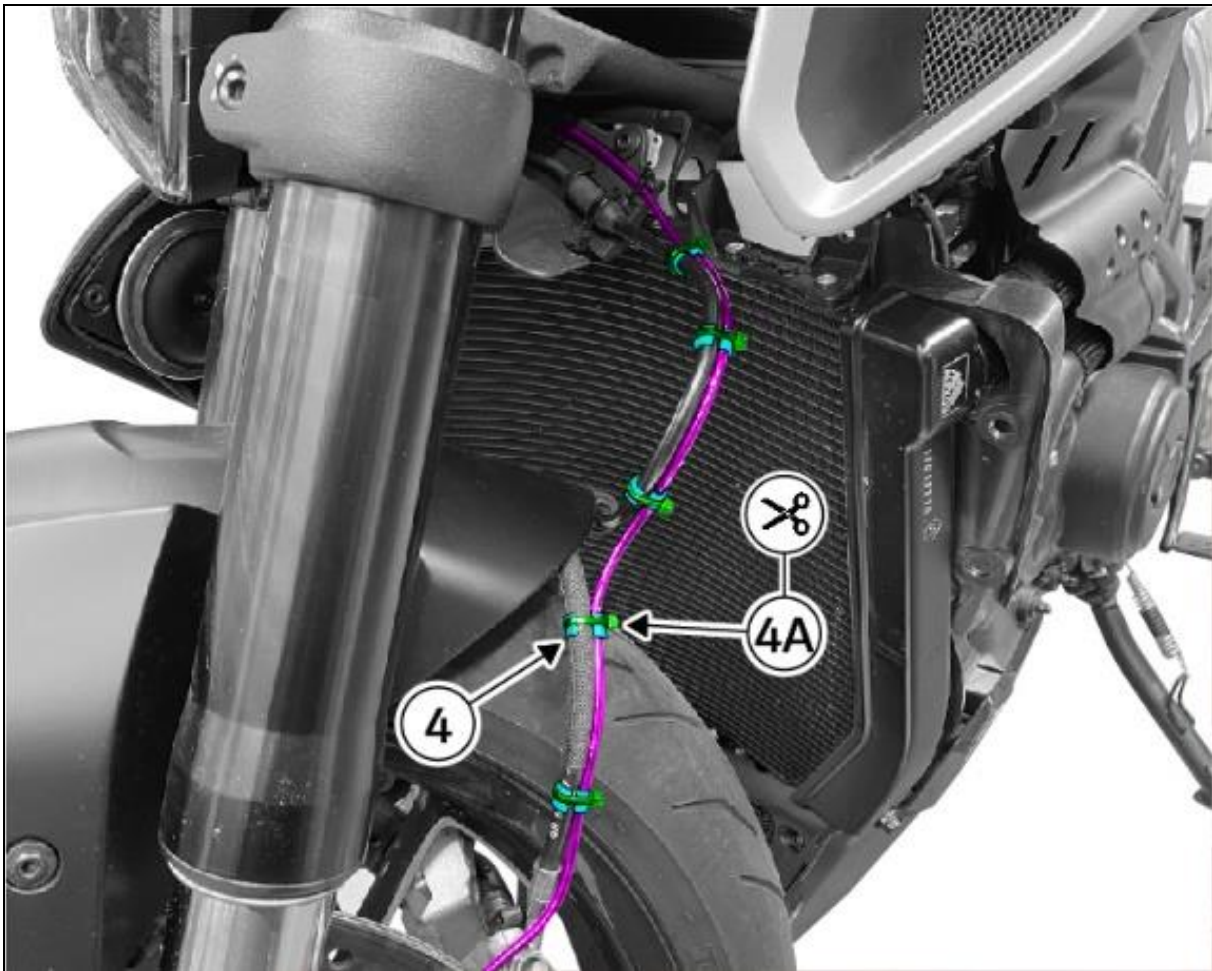
Diavel V4 Model Year 2023-2024 (all versions)
Technical Service Bulletin SRV-TSB-24-007

Service Solution

For motorcycles with frame number up to:

- DMH → ZDM3G00AARB002757
- DMT → ML03G00AART000253

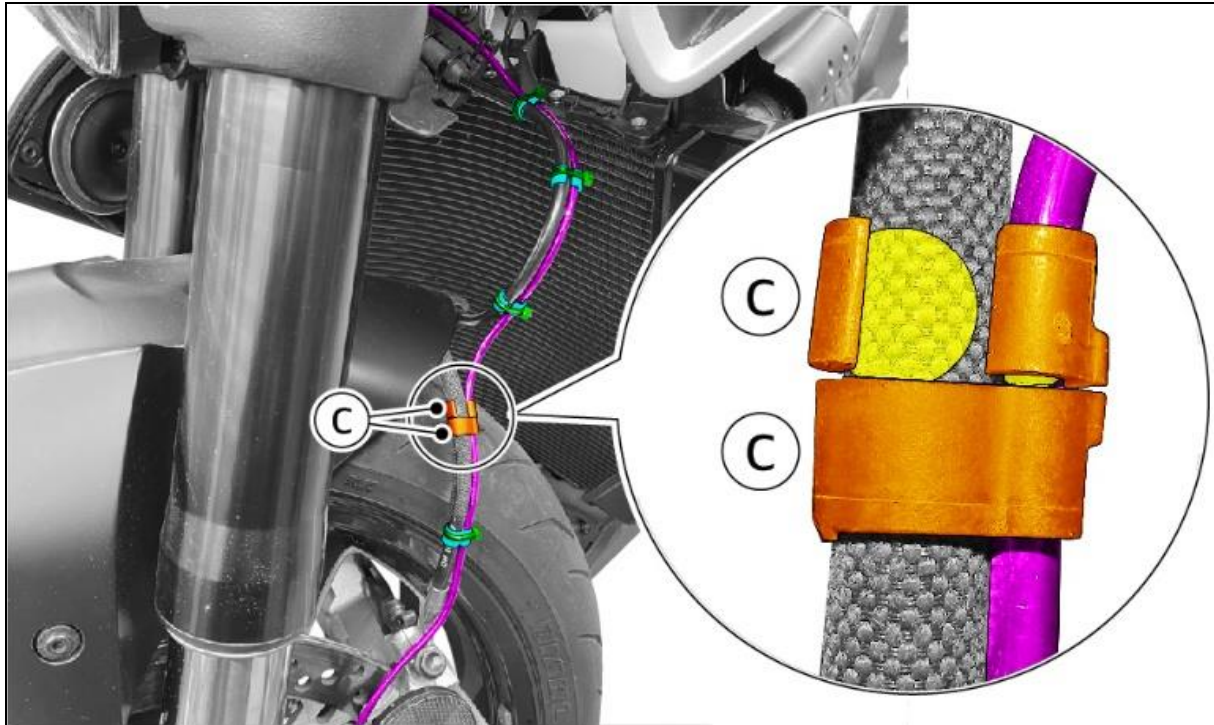
1. Cut the self-locking tie (4A) and remove the cable ring (4).





CR270 – Front Speed Sensor Cable Fixing Update
Diavel V4 Model Year 2023-2024 (all versions)
Technical Service Bulletin SRV-TSB-24-007

2. Position the **2 new cable rings (C) part no. 75812072A opposite each other**, as shown in the figure.



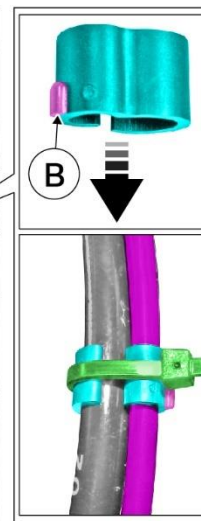
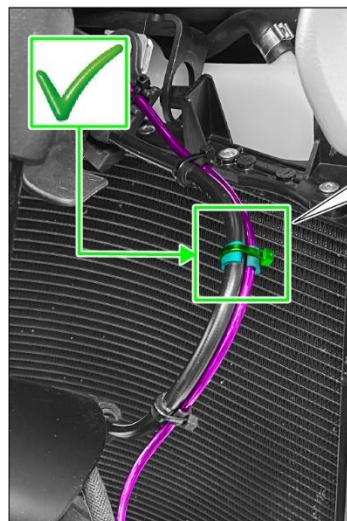
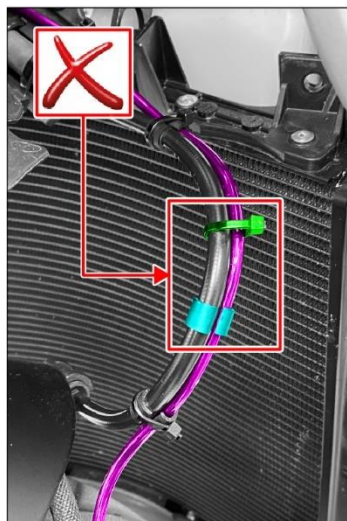
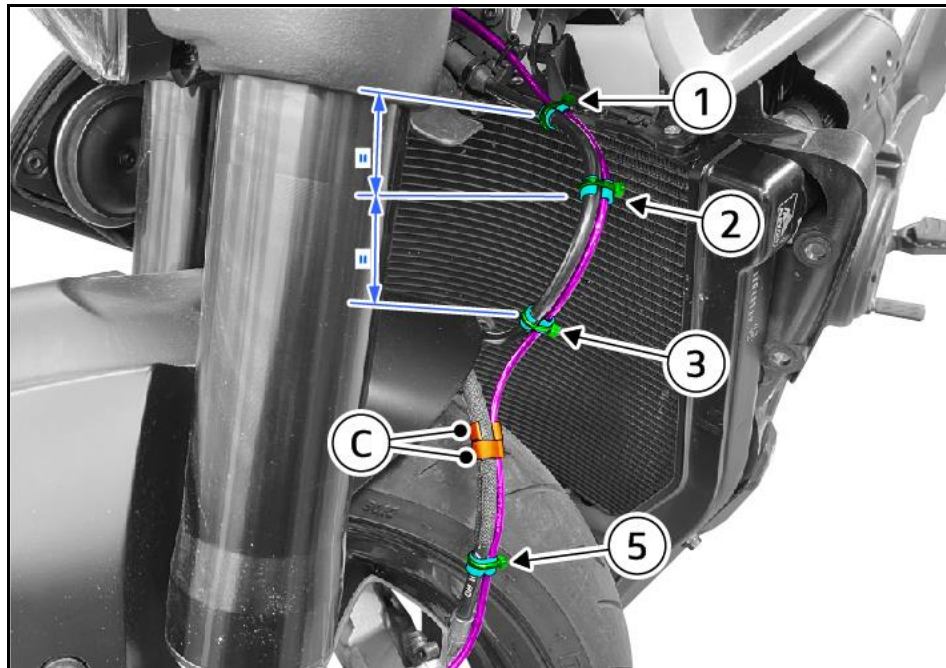


CR270 – Front Speed Sensor Cable Fixing Update

Diavel V4 Model Year 2023-2024 (all versions)
Technical Service Bulletin SRV-TSB-24-007

3. Check that the self-locking ties are correctly positioned on the cable rings.

Check the position of the **cable rings (1), (2), (3) and (5)** and make sure that they have the **notch (B)** facing downwards, so that the relative self-locking ties cannot slip out.



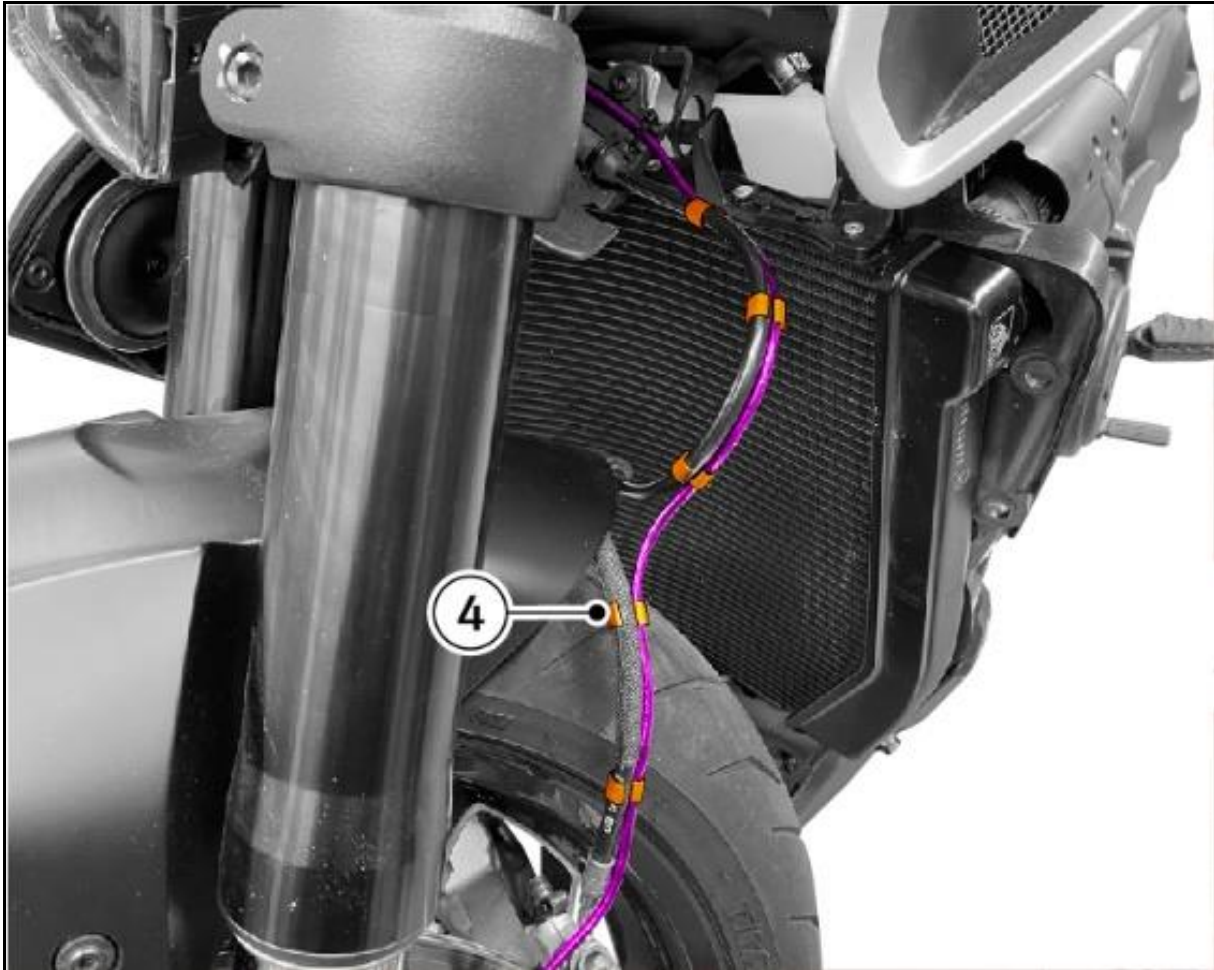


CR270 – Front Speed Sensor Cable Fixing Update Diavel V4 Model Year 2023-2024 (all versions) Technical Service Bulletin SRV-TSB-24-007

For motorcycles with frame number up to:

- DMH → ZDM3G00AARB002758 (included)
- DMT → ML03G00AART000254 (included)

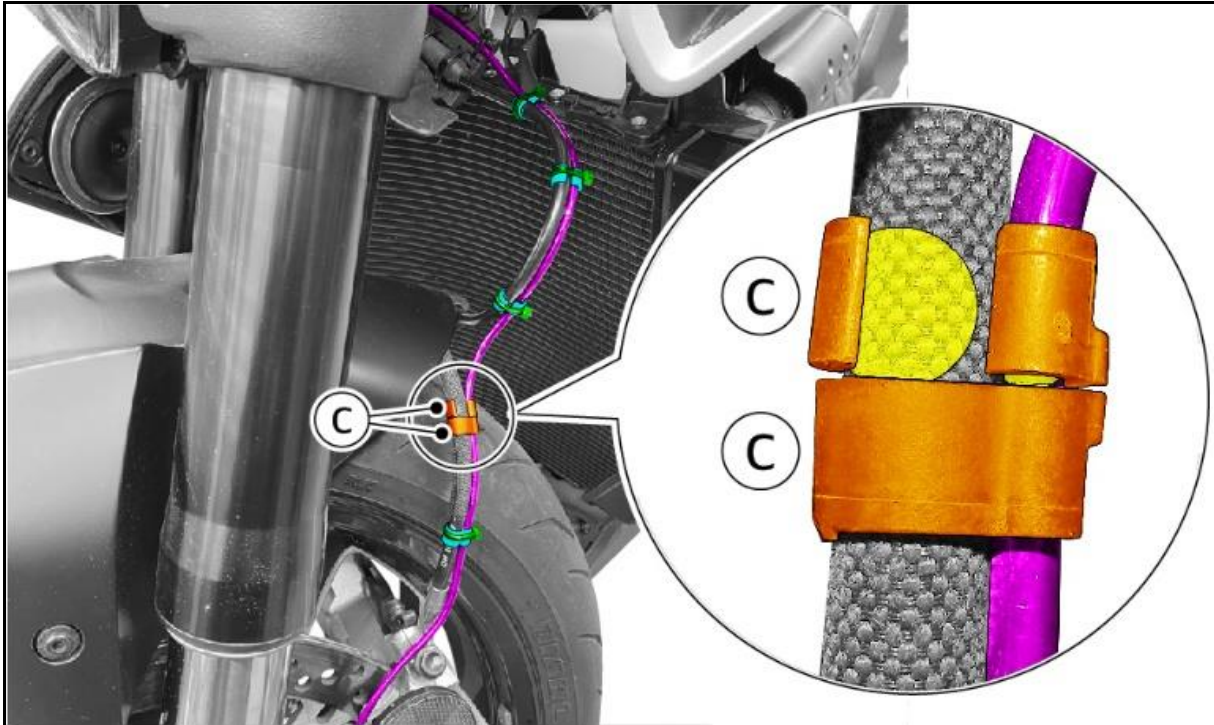
1. Remove the **cable ring (4)**.





CR270 – Front Speed Sensor Cable Fixing Update
Diavel V4 Model Year 2023-2024 (all versions)
Technical Service Bulletin SRV-TSB-24-007

2. Position the **2 new cable rings (C) part no. 75812072A opposite each other**, as shown in the figure.

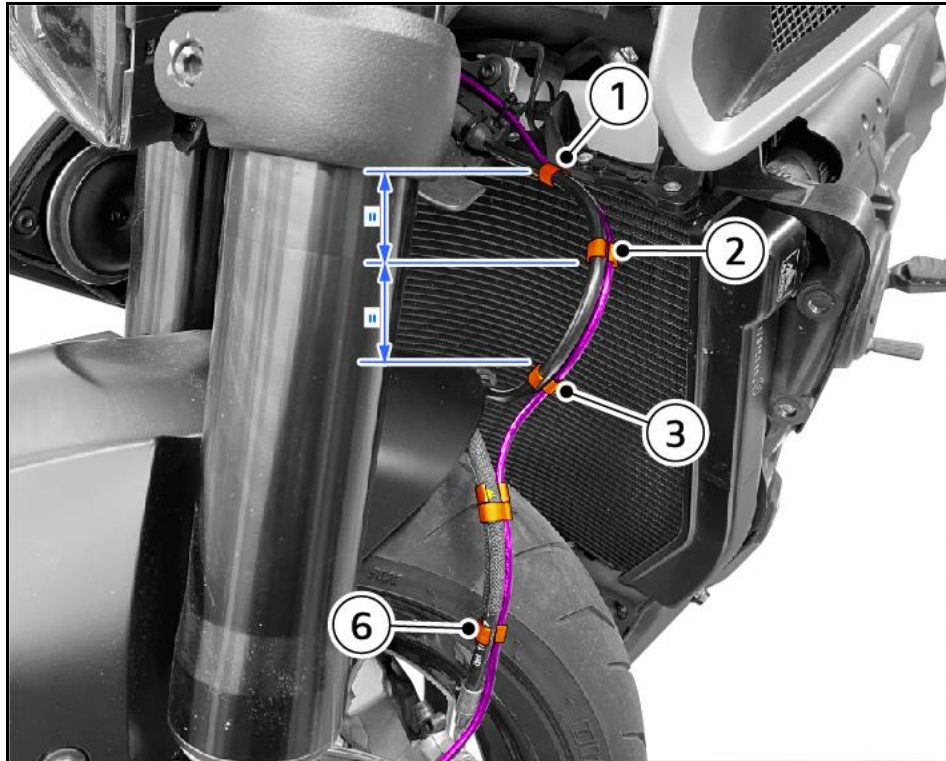




CR270 – Front Speed Sensor Cable Fixing Update

Diavel V4 Model Year 2023-2024 (all versions)
Technical Service Bulletin SRV-TSB-24-007

3. Check the correct position of the cable rings (1), (2), (3) and (6).



For questions on this Workshop Campaign,
please contact your Service Area Manager.