

**ATTENTION:**  
 GENERAL MANAGER   
 PARTS MANAGER   
 CLAIMS PERSONNEL   
 SERVICE MANAGER

IMPORTANT - All Service Personnel Should Read and Initial in the boxes provided, right.


© 2023 Subaru of America, Inc. All rights reserved.



QUALITY DRIVEN® SERVICE

**SERVICE BULLETIN**

**APPLICABILITY:** 2020-24MY Legacy & Outback 2.5L  
 2017-24MY Impreza & Crosstrek  
 2019-23MY Forester  
 2022-23MY BRZ

**NUMBER:** 09-115-24

**DATE:** 05/14/24

**SUBJECT:** Oxygen Sensor Design Change / P0137, P0138, P0140, & P0141

**INTRODUCTION:**

This bulletin announces the availability of new oxygen sensors developed to address the following Diagnostic Trouble Codes (DTCs) detected by the Engine Control Module:

- **P0137:** O2 Sensor Circuit Low Voltage Bank 1 Sensor 2
- **P0138:** O2 Sensor Circuit High Voltage Bank 1 Sensor 2
- **P0140:** O2 Sensor Circuit No Activity Detected Bank 1 Sensor 2
- **P0141:** O2 Sensor Heater Circuit Bank 1 Sensor 2

The new sensors have an optimized coating application to help prevent cracking within the internal surfaces reducing any possibility of short/open circuits. If any of the DTCs listed above are stored in the ECM, perform the sensor identification procedures outlined below.

**PRODUCTION CHANGE INFORMATION:**

The new oxygen sensors have been incorporated into vehicle production as per the table below.

Applicable Vehicle	Starting VIN
Legacy	TBD
Outback	TBD
Crosstrek SIA Produced (First 3 VIN Digits: 424)	TBD
Crosstrek Japan Produced (First 3 VIN Digits: JF2)	R8231372
Forester	PH476292
BRZ	P8705164

**CAUTION: VEHICLE SERVICING PERFORMED BY UNTRAINED PERSONS COULD RESULT IN SERIOUS INJURY TO THOSE PERSONS OR TO OTHERS.**

Subaru Service Bulletins are intended for use by professional technicians ONLY. They are written to inform those technicians of conditions that may occur in some vehicles, or to provide information that could assist in the proper servicing of the vehicle. Properly trained technicians have the equipment, tools, safety instructions, and know-how to do the job correctly and safely. If a condition is described, DO NOT assume that this Service Bulletin applies to your vehicle, or that your vehicle will have that condition.

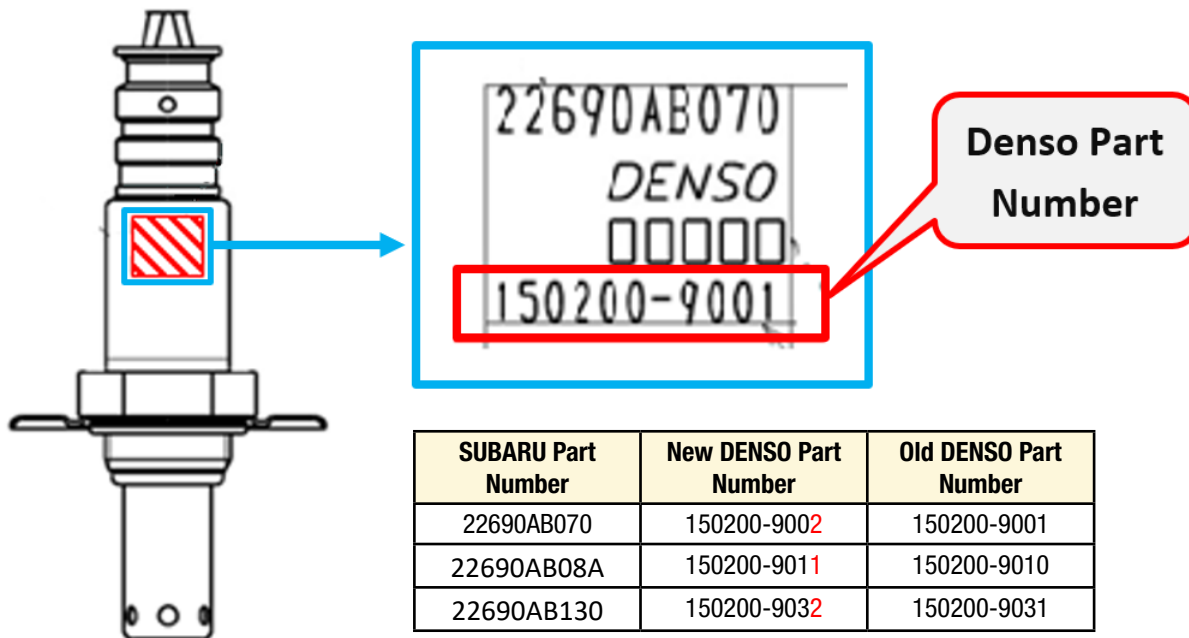
**Subaru of America, Inc. is ISO 14001 Compliant**

ISO 14001 is the international standard for excellence in Environmental Management Systems. Please recycle or dispose of automotive products in a manner that is friendly to our environment and in accordance with all local, state and federal laws and regulations.

*Continued...*

## PART IDENTIFICATION:

The part numbers have not been changed. The new parts can be identified by the Denso part number engraved on the sensor.



## PART INFORMATION:

**REMINDER:** Always order the most up-to-date replacement parts based on the specific VIN being repaired.

MY	Model	Part Number
17-24	Crosstrek SIA Produced (First 3 VIN Digits: 424)	22690AB08A
17-24	Crosstrek Japan Produced (First 3 VIN Digits: JF2)	22690AB08A
24	Impreza	22690AB08A
19-23	Forester	22690AB08A
20-24	Legacy	22690AB08A
20-24	Outback	22690AB08A
17-23	Impreza	22690AB08A
20-24	BRZ	22690AB130

## SERVICE PROCEDURE / INFORMATION:

**REMINDER:** Customer satisfaction and retention starts with performing quality repairs.

The service procedures for oxygen sensor replacement remain unchanged. Always refer to the applicable Service Manual and review the full requirements of the repair being performed. The Service Manual procedures contain information critical to performing an effective repair the first time, every time. This includes but is not limited to important SAFETY precautions, proper inspection criteria, necessary special tools, required processes, and related one-time-use parts needed for a complete and lasting repair.

Refer to STIS: Engine > FUEL INJECTION (FUEL SYSTEMS) > Front/Rear Oxygen Sensor

*Continued...*

**WARRANTY / CLAIM INFORMATION:**

For vehicles within the Basic New Car Limited Warranty period, applicable emission warranty or covered by an active Subaru Added Security Gold plan, this repair may be submitted using the following claim information:

<b>Labor Description</b>	<b>Labor Operation #</b>	<b>Labor Time</b>	<b>Fail Code</b>
MFI OBD11 FRONT OXYGEN/A.F. RATIONSSENSOR R&R	A450-186	1.2	UFP-42
MFI OBD11 REAR OXYGEN/A.F. RATIONSSENSOR R&R	A450-286	1.0	UEF-22

**IMPORTANT REMINDERS:**

- SOA strongly discourages the printing and/or local storage of service information as previously released information and electronic publications may be updated at any time.
- Always check for any open recalls or campaigns anytime a vehicle is in for servicing.
- Always refer to STIS for the latest service information before performing any repairs.